
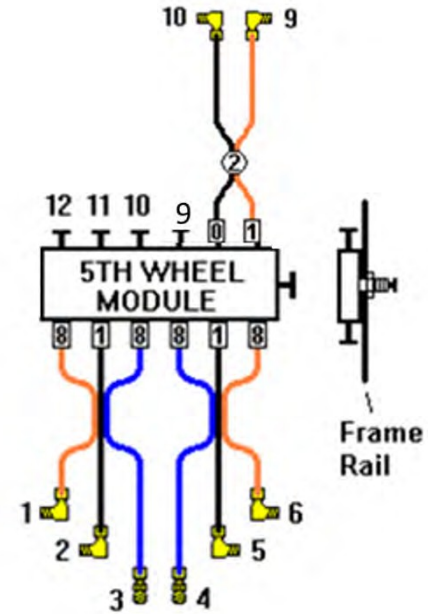
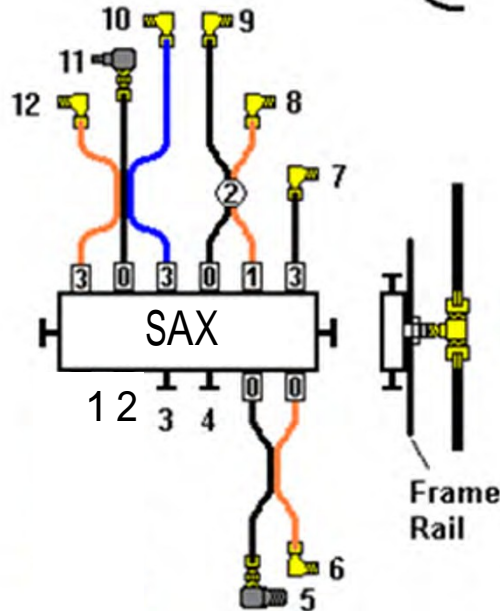
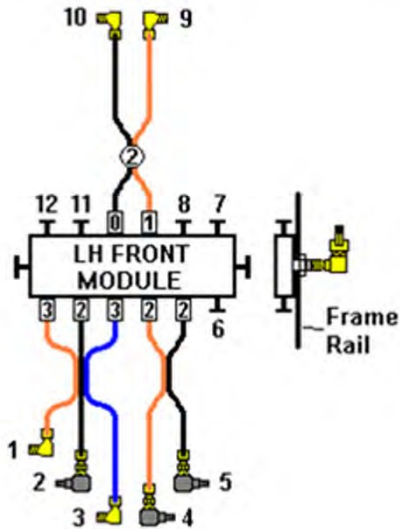
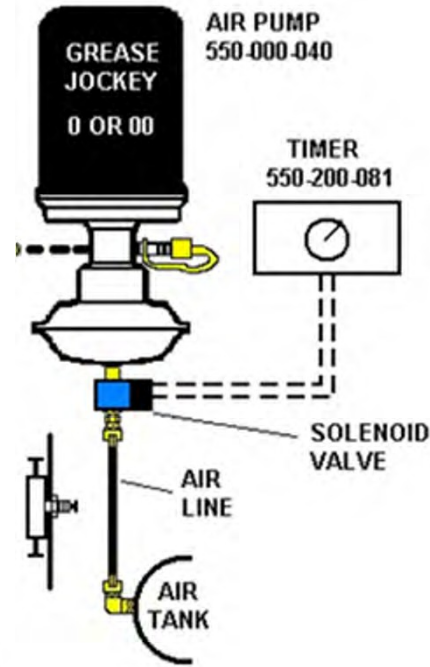
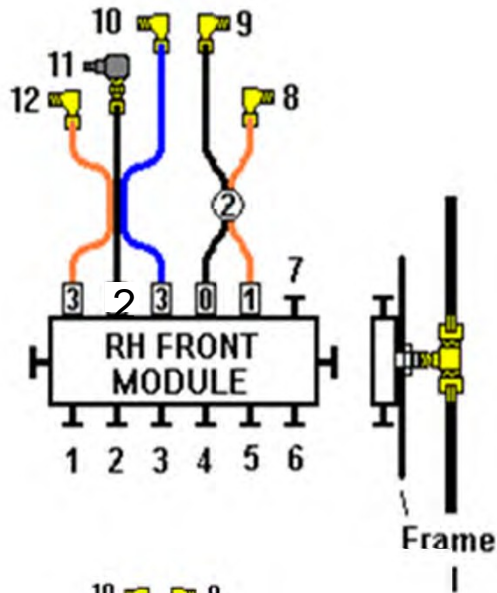


DIMENSIONS ARE IN INCHES TOLERANCES: DECIMAL: X.X ± 0.06 X.XX ± 0.03 X.XXX ± 0.005 ANGULAR: ± 0.5° FRACTIONAL ± 1/32"	NAME SMB	DATE 9/2/15	 TICO/TERMINAL SERVICE 66 CYPRESS RIDGE DR. RIDGELAND, SC 29936 (843) 717-2226	
	DRAWN			TITLE: LUBRICATION SYSTEM, GRACO, UPS
	CHECKED			
APPROVED	DO NOT SCALE DRAWING		SIZE B	
INTERPRET GEOMETRIC TOLERANCING PER: ASME 14.5M-1994	THE SUBJECT MATTER SHOWN AND DESCRIBED IN THIS DRAWING AND ANY OTHER INFORMATION ADVANCED IN CONNECTION THEREWITH, IS PROPRIETARY PROPERTY AND IS TO BE HELD IN STRICT CONFIDENCE BY YOU. ALL RIGHTS TO ANY INVENTIONS, DESIGNS, TRADE MARKS, TRADE NAMES AND COPYRIGHTS DISCLOSED ARE RESERVED TO TICO TERMINAL SERVICES, INC.		DWG. NO. 720816-D1	
FINISH			REV	
THICKNESS			SCALE: 1:100	
			WEIGHT:	
			SHEET 1 OF 1	

TICO

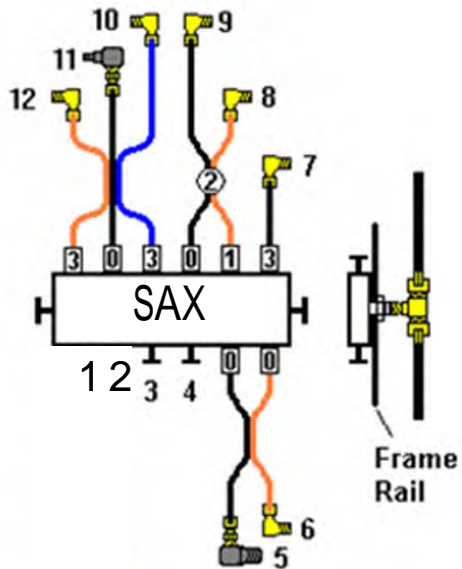
UPS Install 24T909

Kit 24T909

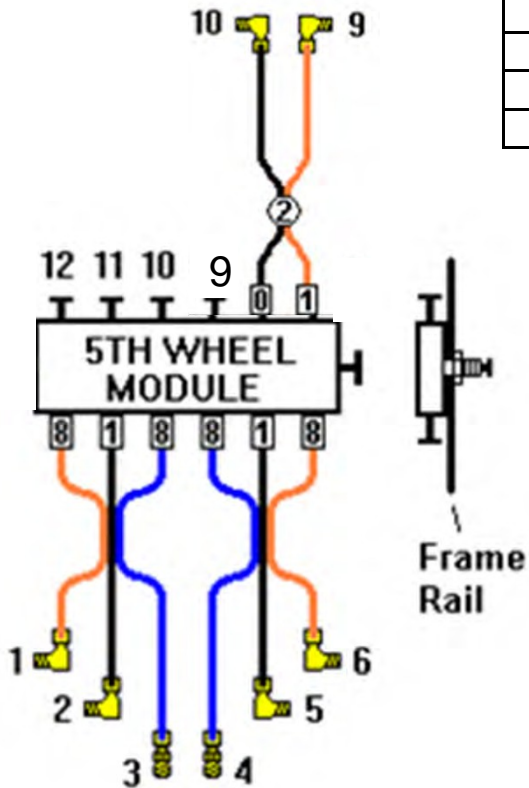


24T907

POINT #	DESCRIPTION	METER SIZE	TUBE COLOR	BUNDLE & MARKING	RECOMMENDED FITTING P/N
1	PLUG				
2	PLUG				
3	PLUG				
4	PLUG				
5	BOOM PIVOT	8	BLACK	UNMARKED	
6	BOOM PIVOT	8	BLACK	UNMARKED	
7	RAM CYLINDER LOWER	3	BLACK	UNMARKED	
7	RAM CYLINDER LOWER	3	BLACK	UNMARKED	
9	"S" CAM	1	ORANGE	2-TUBE	
10	SLACK ADJUSTER	1	BLACK		
11	"S" CAM	1	ORANGE	2-TUBE	
12	SLACK ADJUSTER	1	BLACK		



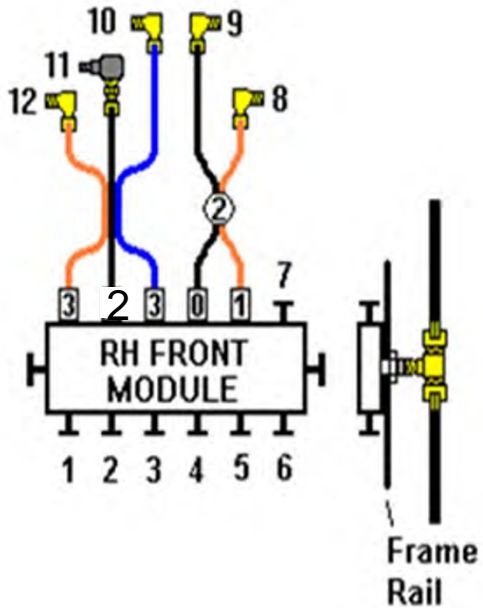
24T908



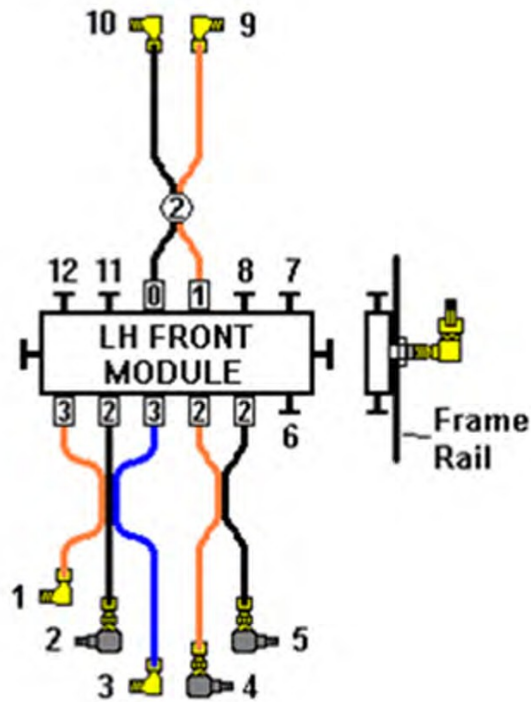
POINT #	DESCRIPTION	METER SIZE	TUBE COLOR	BUNDLE & MARKING	RECOMMENDED FITTING P/N
1	FIFTH WHEEL PLATE	8	ORANGE	3-TUBE UNMARKED	
2	FIFTH WHEEL PIVOT	1	BLACK		
3	FIFTH WHEEL PLATE	8	BLUE		
4	FIFTH WHEEL PLATE	8	BLUE	3-TUBE UNMARKED	
5	FIFTH WHEEL PIVOT	1	BLACK		
6	FIFTH WHEEL PLATE	8	ORANGE		
7	Ram Cylinder Upper	3	ORANGE	2-tube	
8	Ram Cylinder Upper	3	BLACK		
9	PLUG				
10	PLUG				
11	PLUG				
12	PLUG				

24T899

POINT #	DESCRIPTION	METER SIZE	TUBE COLOR	BUNDLE & MARKING	RECOMMENDED FITTING P/N
1	PLUG				
2	PLUG				
3	PLUG				
4	PLUG				
5	PLUG				
6	PLUG				
7	PLUG				
8	SLACK ADJUSTER	1	ORANGE	2-TUBE #2	
9	"S" CAM	0	BLACK		
10	KING PIN LOWER	3	BLUE	3-TUBE UNMARKED	
11	TIE ROD	2	BLACK		
12	KING PIN UPPER	3	ORANGE		



24T906



POINT #	DESCRIPTION	METER SIZE	TUBE COLOR	BUNDLE & MARKING	RECOMMENDED FITTING P/N
1	KING PIN UPPER	3	ORANGE	3-TUBE UNMARKED	
2	TIE ROD	2	BLACK		
3	KING PIN LOWER	3	BLUE		
4	DRAG LINK	2	ORANGE	2-TUBE UNMARKED	
5	DRAG LINK	2	BLACK		
6	PLUG				
7	PLUG				
8	PLUG				
9	SLACK ADJUSTER	1	ORANGE	2-TUBE #2	
10	"S" CAM	0	BLACK		
11	PLUG				
12	PLUG				