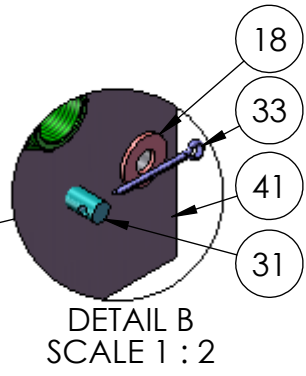
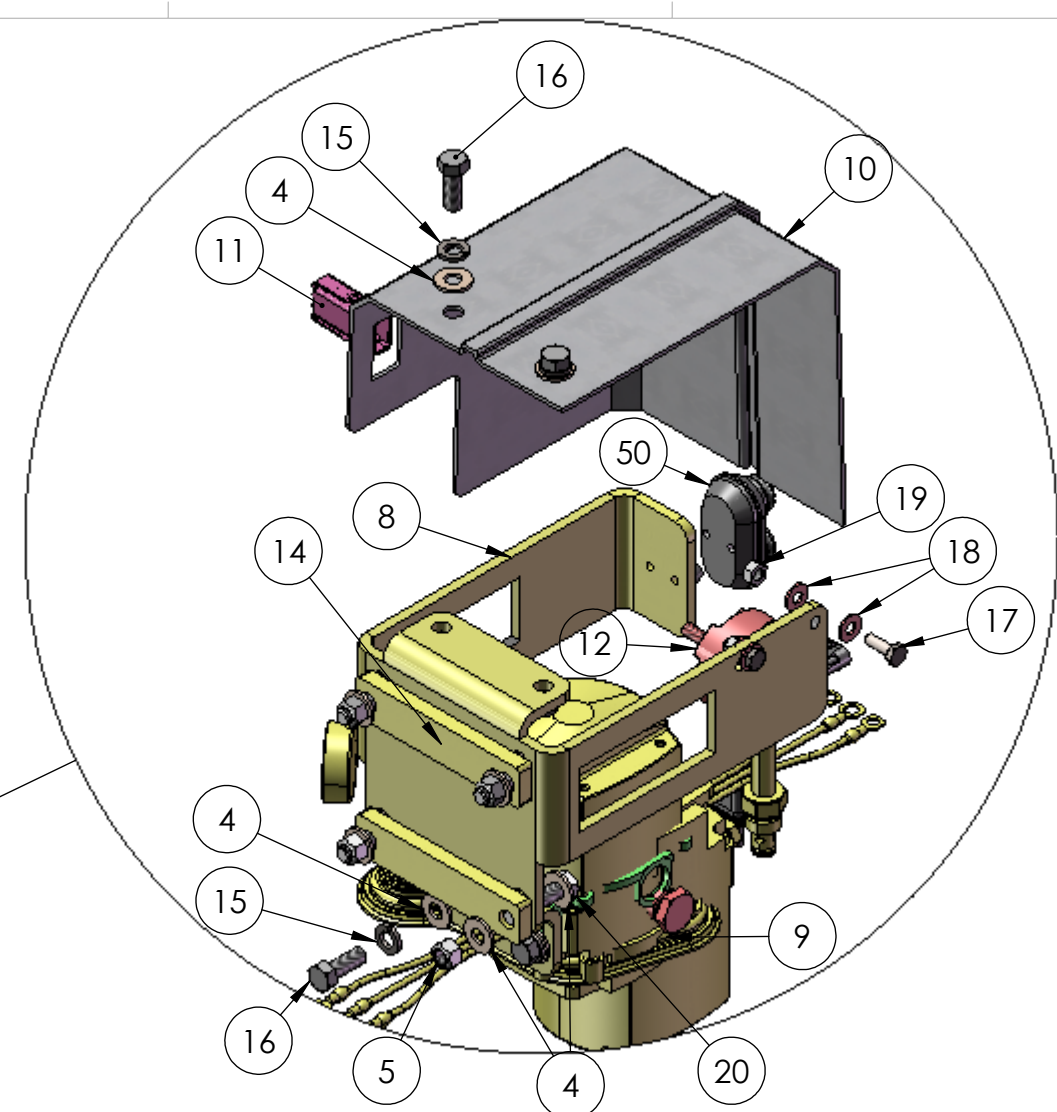


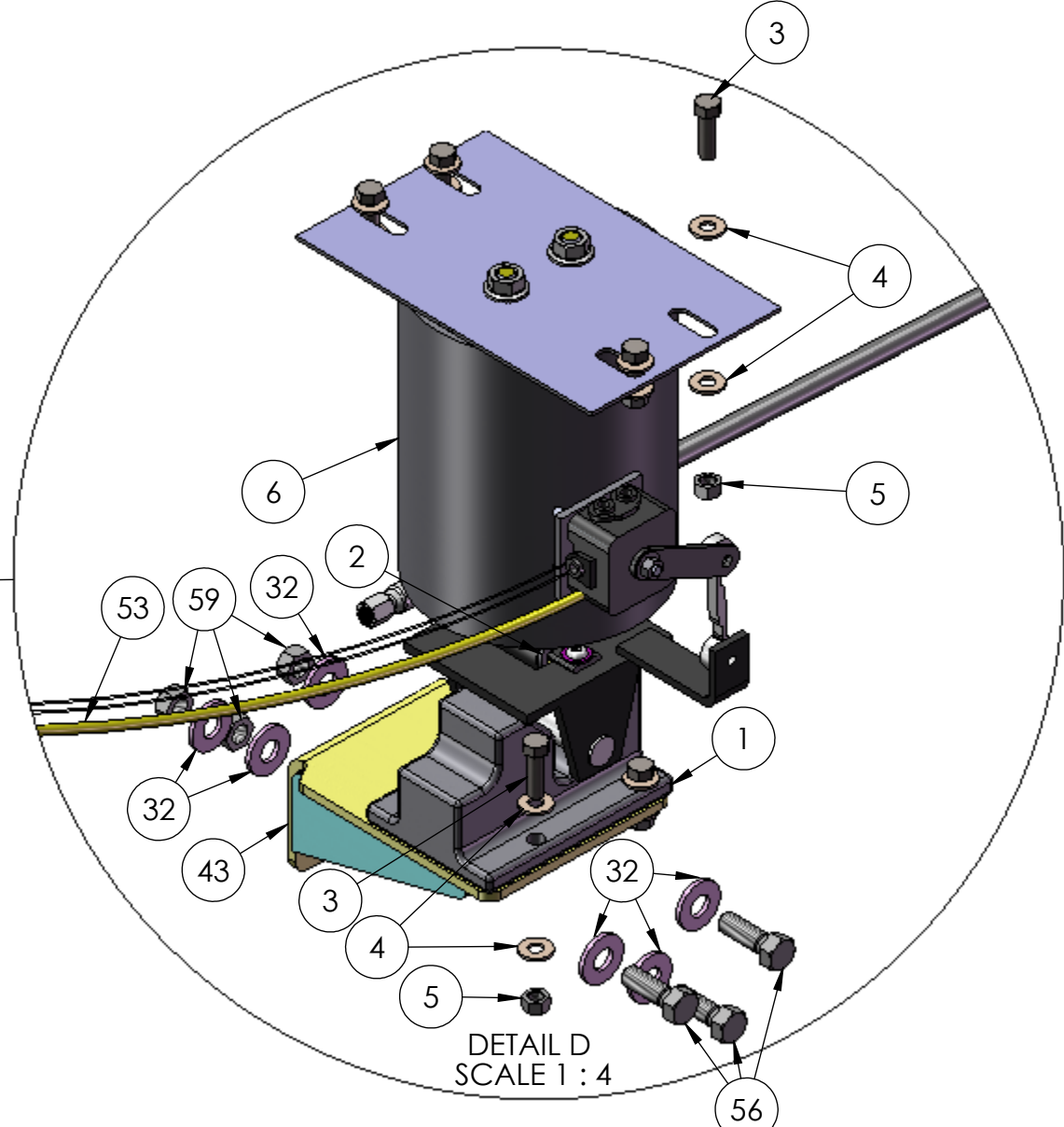
DETAIL A  
SCALE 1 : 5



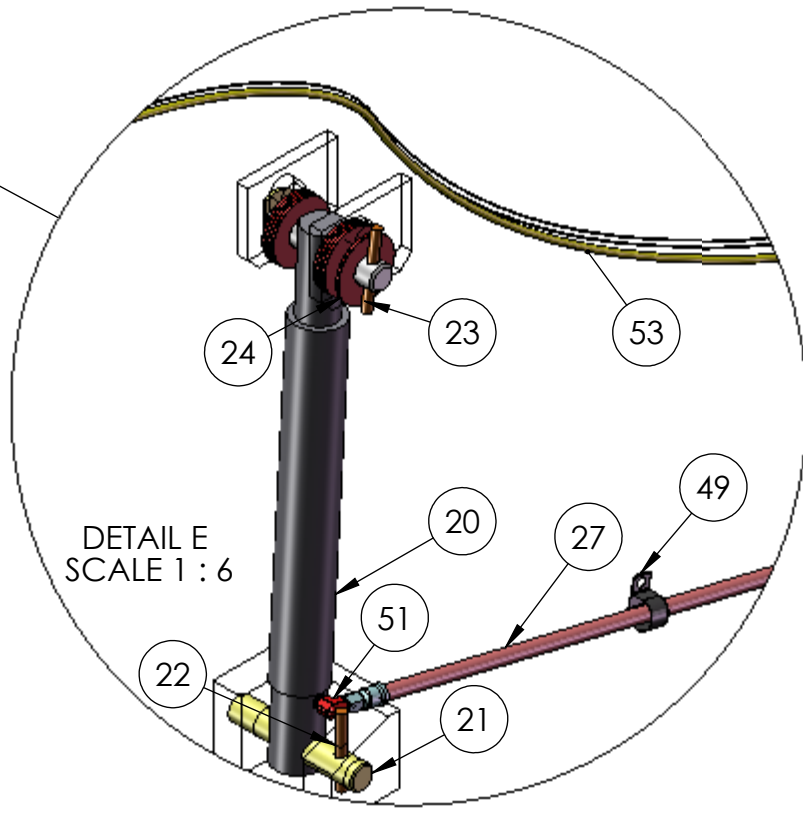
DETAIL B  
SCALE 1 : 2



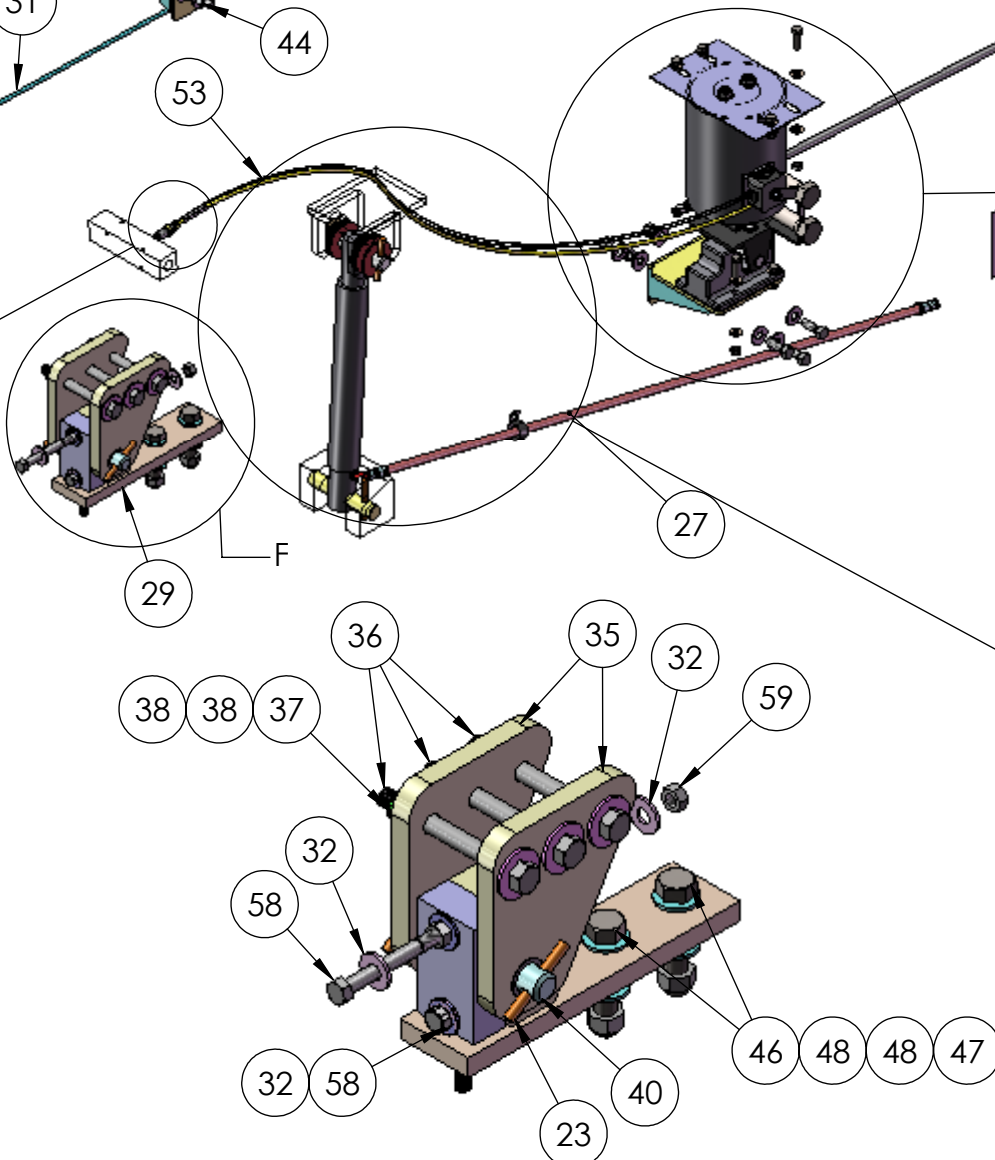
DETAIL C  
SCALE 1 : 4



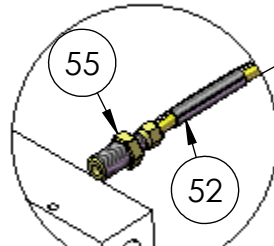
DETAIL D  
SCALE 1 : 4



DETAIL E  
SCALE 1 : 6



DETAIL F  
SCALE 1 : 6



DETAIL G  
SCALE 1 : 4

DIMENSIONS ARE IN INCHES		NAME	DATE	 TICO/TERMINAL SERVICE 66 CYPRESS RIDGE DR. RIDGELAND, SC 29936 (843) 717-2226
TOLERANCES:		DRAWN	SMB 8/28/15	
DECIMAL:		CHECKED		
X.X ± 0.1250 X.XX ± 0.0625 X.XXX ± 0.0313 ANGULAR: ± 1° FRACTIONAL: ± 1/16"		APPROVED		
INTERPRET GEOMETRIC TOLERANCING PER: ASME 14.5M-1994		DO NOT SCALE DRAWING		TITLE:
MATERIAL		THE SUBJECT MATTER SHOWN AND DESCRIBED IN THIS DRAWING AND ANY OTHER INFORMATION ADVANCED IN CONNECTION THEREWITH IS PROPRIETARY PROPERTY AND IS TO BE HELD IN STRICT CONFIDENCE BY YOU. ALL RIGHTS TO ANY INVENTIONS, DESIGNS, TRADE MARKS, TRADE NAMES AND COPYRIGHTS DISCLOSED ARE RESERVED TO TICO TERMINAL SERVICES, INC.		CAB SUSPENSION-CUSHION, PIVOT, LIFT & LATCH SYS
FINISH		SIZE	DWG. NO.	REV
THICKNESS		C	720810-A1	C1
		SCALE: 1:4	WEIGHT:	SHEET 1 OF 1

TICO PRO-SPOTTER				
S/N:		CAB SUSPENSION, ISB 2015/QSB-IV, PIVOT AND LIFT		720810
ITEM	PART #	QTY/M	DESCRIPTION	TASK/REV
	72530-B1	REF	CAB SUSPENSION - CUSHION, PIVOT, LIFT & LATCH SYS	
1	30096-1	2	LATCH, CAB CUSHION, AIR RIDE	
2	30096-5	4	WASHER, BUSHING RETAINER, CAB CUSHION	
3	82383	16	BOLT, HEX, 3/8-16 X 1 1/4	
4	85113	40	WASHER, FLAT, 3/8	
5	85036	16	LOCK NUT, 3/8-16	
6	30096-2	1	ASSEMBLY, AIRBAG, LARGE	
7	30096-3	1	ASSEMBLY, AIRBAG, SMALL	
	20194	1	CAB LIFT PUMP INSTALLATION, REAR	
8	20193	1	BRACKET, CAB LIFT, PUMP MOUNTING	
9	42057	1	PUMP, HYDRAULIC/ELECTRIC MOTOR, CA	
10	20192	1	COVER, CAB LIFT PUMP, REAR	
11	12245	1	SWITCH, CAB LIFT PUMP	
12	60015	1	SOLENOID, CAB LIFT PUMP	
13	61986	1	HARNESS, CAB PUMP	
14	20117	2	SPACER, CAB LIFT BRACKET	
15	85135	4	LOCKWASHER, 3/8-16	
16	81536	8	BOLT, HEX, 3/8-16 X 1 LG	
17	81523	2	BOLT, HEX, 1/4-20 X 3/4 LG	
18	85111	4	WASHER, FLAT, 1/4	
19	85023	2	LOCKNUT, 1/4-20	
20	81558	4	BOLT, HEX, 3/8-16 X 1 1/2 LG	
21	30045	1	CYLINDER, HYDRAULIC, CAB LIFT	
22	10071-4	1	PIN, CAB LIFT CYLINDER, LOWER	
23	40018	7	PIN, 3/8 ROLL	
24	90341	1	PIN, LIFT CYLINDER, UPPER	
25	85119	11	WASHER, FLAT, 1"	
26	41151	1	HOSE ASSY, NO 4, OAL 41 1/2 LG, STR/90°	
27	41298	1	HOSE ASSY, NO 4, OAL 73 3/4 LG, STR/STR	
28	41228	1	HOSE ASSY, NO 4, OAL 80, 1/2LG, STR/90°	
29	121021	1	BLOCK, CAB PIVOT, LH	
30	121020	1	BLOCK, CAB PIVOT, RH	
REV	DATE	BY		SHEET
				1 OF 2

TICO PRO-SPOTTER				
S/N:		CAB SUSPENSION, ISB 2015/QSB-IV, PIVOT AND LIFT		720810
ITEM	PART #	QTY/M	DESCRIPTION	TASK/REV
31	12924	1	HANDLE, CAB LATCH	
32	85115	24	WASHER, FLAT, 1/2	
33	80148	1	PIN, COTTER, 1/8	
34	121013	2	ASSEMBLY, CAB PIVOT, RH, 1", FLANGED BUSHING	
35	121015	2	ASSEMBLY, CAB PIVOT, LH, 1", FLANGED BUSHING	
36	82595	6	BOLT, 5/8-11 X 6" LG	
37	85116	12	WASHER, FLAT, 5/8	
38	85028	6	LOCK NUT, 5/8	
39	90688	2	BUSHING, MOD RUBBER CAB PIVOT, 2.06 OD	
40	10993	2	PIN, CAB PIVOT	
41	12361	1	LATCH, CAB SAFETY BAR	
42	10945-3	1	PIN, 1" CAB SAFETY LATCH BAR	
43	20157	1	BRACKET, CAB CUSHION WELDMENT, LH	
44	20158	1	BRACKET, CAB CUSHION WELDMENT, RH	
45	12351	AS REQ'D	SHIM PLATE, CAB PIVOT NOTE: USE AS REQUIRED	
46	82464	4	3/4-10 X 3" LG BOLT	
47	85040	4	3/4-10 LOCK NUT	
48	85117	8	WASHER, 3/4 FLAT	
49	40593	1	CLAMP, P 1" ID	
50	12245	1	SWITCH, CAB PUMP	
51	30140	1	FITTING, RESTRICTIVE CAB LIFT PUMP	
52	41069	2	LOOM, 1/4" ID	
53	41066	1	TUBE, 1/4" OD AIR BRAKE (YELLOW) X 18" LG	
54	61821	1	HARNESS, CAB LIFT	
55	40831	1	FITTING, STRAIGHT, 1/4 TO 5/8	
56	82396	6	BOLT, HEX, 1/2-13 X 1 1/2 LG	
57	12168	1	DECAL, CAB PUMP INSTRUCTIONS	
58	82528	4	BOLT, HEX, 1/2-13 X 4 1/4 LG	
59	85038	4	NUT, NYLOCK, 1/2	
REV	DATE	BY		SHEET
				2 OF 2