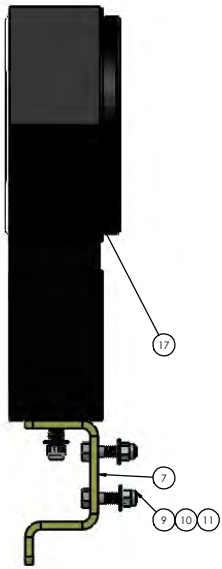
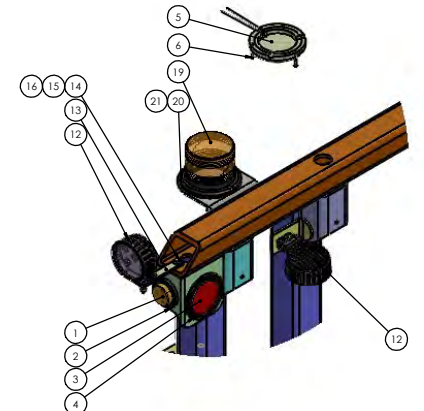


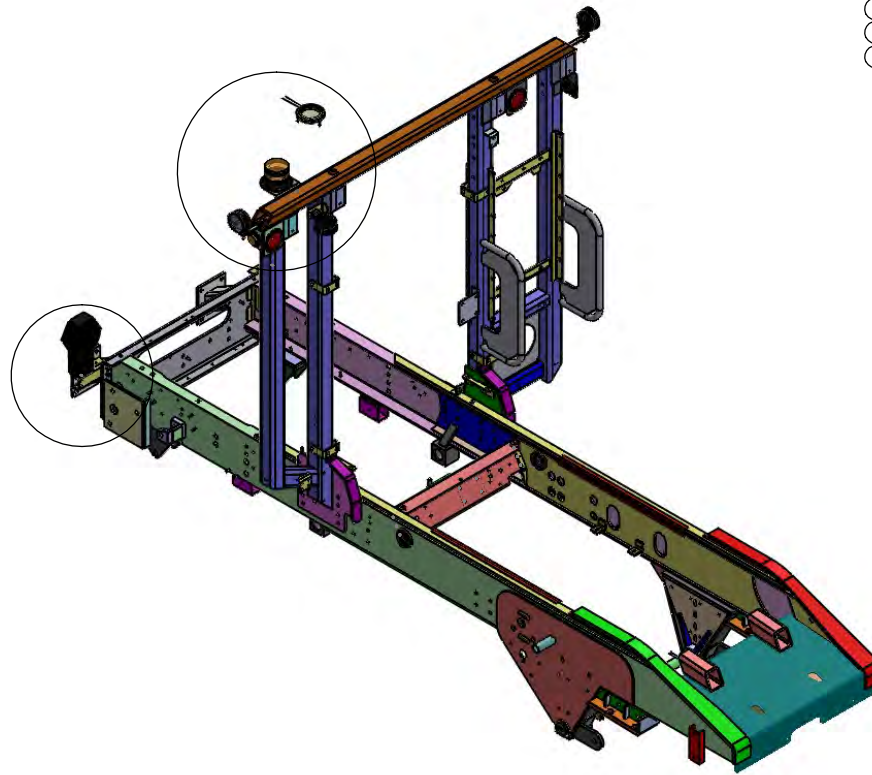
RH HEADLIGHT CLUSTER



LH HEADLIGHT CLUSTER



CAB BAR LIGHT CLUSTER



|   |        |                             |      |                      |
|---|--------|-----------------------------|------|----------------------|
| DIMENSIONS ARE IN INCHES  |        | NAME                        | DATE | TICO MANUFACTURING   |
| TOLERANCES:   |        | DRAWN                       | BBN  | 5/26/2020            |
| DECIMAL   | .0005  | CHECKED                     |      | 44 CYPRESS ROUGE DR. |
| ANGULAR   | ±0.1°  | APPROVED                    |      | ROCKLAND, NC 27854   |
| FRACTIONAL  | ±0.005 |                             |      | TICORACTORS.COM      |
| FUNCTIONAL  | ±0.010 | DO NOT SCALE DRAWING        |      |                      |
| INSPECT GEOMETRIC TOLERANCING PER ASME Y14.5M-1994  |        |                             |      |                      |
| THE SUBJECT MATTER SHOWN AND DESCRIBED IN THIS DRAWING AND ANY OTHER INFORMATION CONTAINED IN CONNECTION HERWITH IS THE PROPERTY OF TICO MANUFACTURING AND IS TO BE KEPT CONFIDENTIAL. ALL RIGHTS TO ANY PATENTS, TRADEMARKS, AND COPYRIGHTS ARE RESERVED BY TICO MANUFACTURING, INC. |        |                             |      |                      |
| TITLE: LIGHTS & MOUNTING ASSEMBLY   |        | SIZE DWG. NO. 721011_A1_ILL |      |                      |
| SCALE: 1/24 (WEIGHT)  |        | REV SHEET 1 OF 1            |      |                      |

