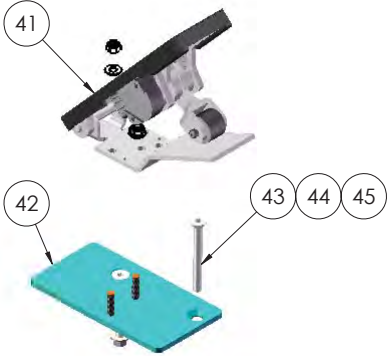
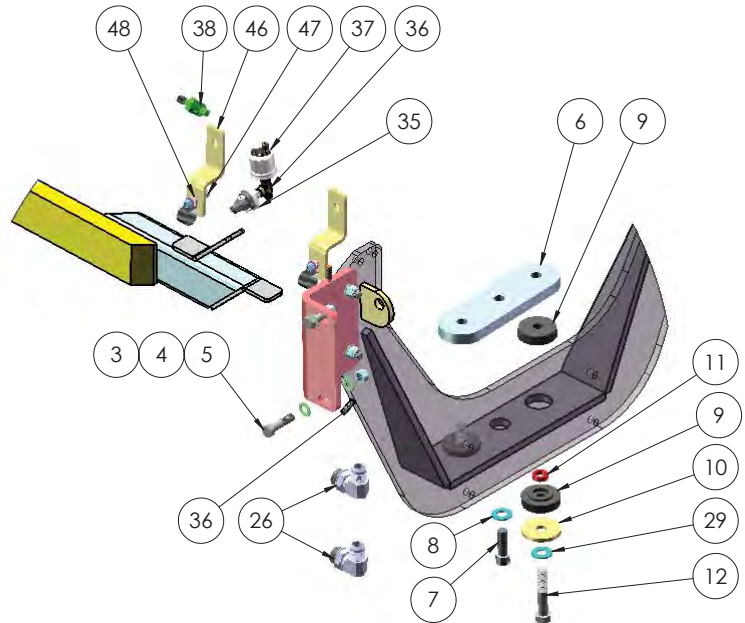


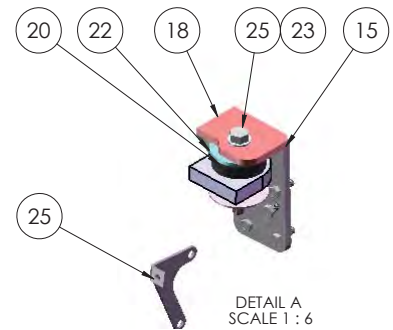
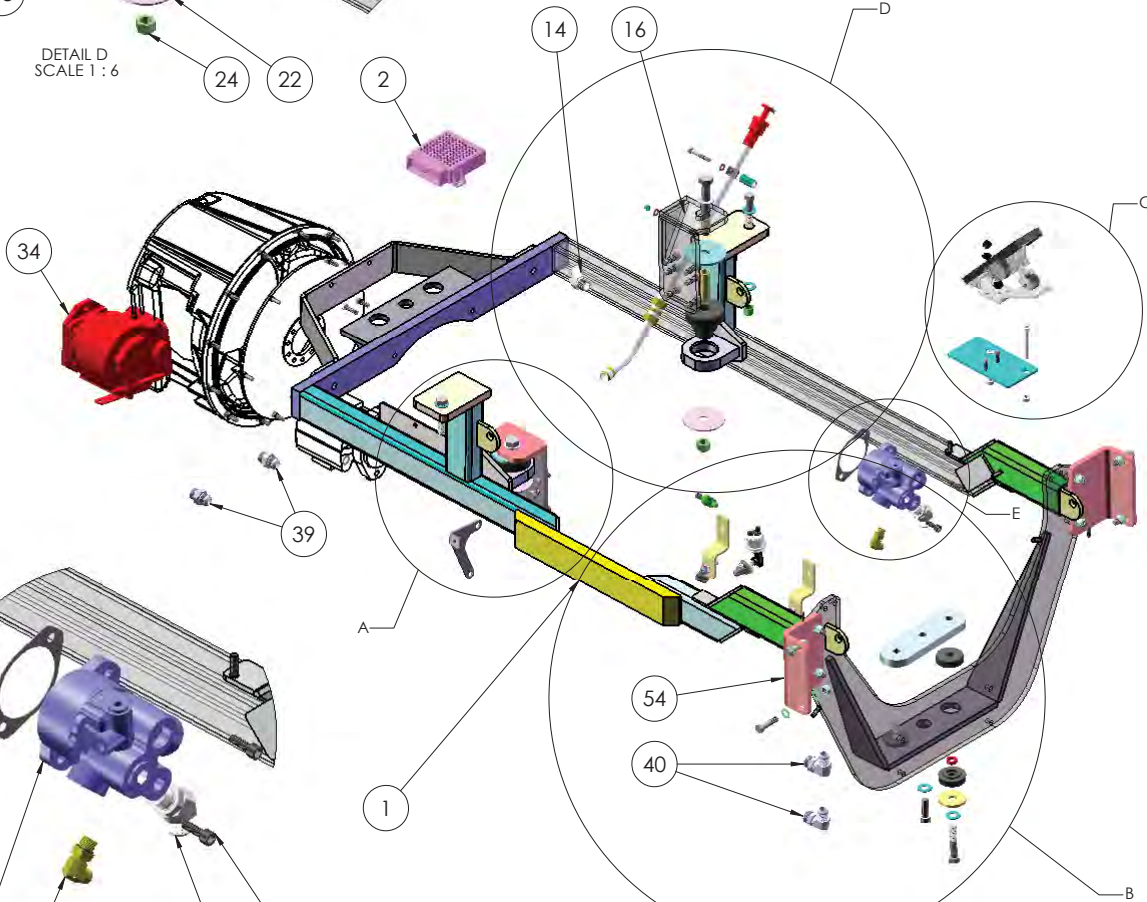
DETAIL D  
SCALE 1 : 6



DETAIL C  
SCALE 1 : 4



DETAIL B  
SCALE 1 : 6



DETAIL A  
SCALE 1 : 6

NOTE:  
ENGINE & TRANSMISSION NOT SHOWN  
FOR CLARITY

DIMENSIONS ARE IN INCHES		NAME	DATE	TICO/TERMINAL SERVICE 66 CYPRESS RIDGE DR. RIDGELAND, SC 29936 (843) 717-2226	
TOLERANCES:		DRAWN	DFM		11/13/2015
DECIMAL:		CHECKED			
.XX ± 0.06 .XXX ± 0.03 .XXXX ± 0.005 ANGULAR: ± 0.5° FRACTIONAL: ± 1/32"		APPROVED			
DO NOT SCALE DRAWING					
THE SUBJECT MATTER SHOWN AND DESCRIBED IN THIS DRAWING AND ANY OTHER INFORMATION ADVANCED IN CONNECTION THEREWITH IS PROPRIETARY PROPERTY AND IS TO BE HELD IN STRICT CONFIDENCE BY YOU. ALL RIGHTS TO ANY INVENTIONS, DESIGNS, TRADE MARKS, TRADE NAMES AND COPYRIGHTS DISCLOSED ARE RESERVED TO TICO TERMINAL SERVICES, INC.					
INTERPRET GEOMETRIC TOLERANCING PER: ASME 14.5M-1994		TITLE:			TICO/TERMINAL SERVICE
MATERIAL:		SIZE DWG. NO.			REV
FINISH:		C			720798-E1
THICKNESS:		SCALE: 1:8			SHEET 1 OF 1

TICO PRO-SPOTTER				
S/N:		ENGINE & TRANS QSBVI -158HP		720798
ITEM	PART #	QTY/M	DESCRIPTION	TASK
	72016A	REF	ASSEMBLY, ENGINE and TRANSMISSION	
NOT SHOWN	61985	1	ENGINE, CUMMINS QSBVI 158HP @ 2100 RPM (12V)	
NOT SHOWN	60799-17	1	TRANSMISSION, ALLISON RDS 3000 SERIES TC-417	
1	62115	1	ENGINE CRADLE, QSB	
NOT SHOWN	62192	1	SHIFTER, TRANSMISSION PUSH BUTTON, GENERATION V	
2	62185	1	TCM-1st-5th, 1950 RPM SHIFT, GENERATION V	
NOT SHOWN	61572-5	1	MOUNT, FRONT ENGINE, FRAME	
3	82418	8	BOLT, HEX 1/2-13 X 2 LONG, FRONT MOUNTS	
4	85093	16	WASHER, FLAT 1/2-13	
5	85038	8	LOCKNUT, 1/2-13	
6	60809	1	MOUNTING PLATE, FRONT ENGINE MOUNT	
7	80342	1	BOLT, DRILLED HEAD, M16 X 2 X 45MM, 10.9 SHCS	
8	85094	2	WASHER, FLAT 5/8-11	
9	60814	4	ISOLATOR, FRONT ENGINE MOUNT, DUAL SYSTEM	
10	60113	2	WASHER, BOOM	
11	10971	2	SPACER, FRONT MOTOR MOUNT	
12	82474	2	BOLT, HEX 5/8-11 X 3 1/4" LONG	
13	85039	2	LOCKNUT, 5/8-11	
NOT SHOWN	60799-12	1	MOUNTING KIT, TRANSMISSION	
NOT SHOWN	60799-6	6	BOLT, FLEX PLATE/TORQUE CONVERTER	
14	42055	1	FITTING, BARB HOSE, 45°, #16 HOSE X 3/4 NPT	
15	60981	1	MOUNT, REAR ENGINE LEFT HAND	
16	60982	1	MOUNT, REAR ENGINE RIGHT HAND	
17	80240	12	BOLT, M12 X 1.5 X 35MM, HEX HEAD , 10.9	
18	61678	2	ISOLATOR, REAR ENGINE	
19	61677-8	2	SPACER, BOLT	
20	60740	2	WASHER, 3/4, REAR ENGINE MOUNT	
21	85095	2	WASHER, FLAT 3/4	
22	60740-1	2	WASHER, 3/4, REAR ENGINE MOUNT	
23	82574	2	BOLT, 3/4-10UNC X 5 1/2 LONG HEX HEAD	
24	85029	2	NUT, NYLON LOCK, 3/4-10 UNC	
25	90910	1	BRACKET, BATTERY CABLE SUPPORT	
26	61574	1	DIPSTICK, TRANSMISSION RDS	
NOT SHOWN	62126	1	CLIP, DIPSTICK RETAINER	
27	12091	1	SPACER	
REV	DATE	BY		SHEET
E	1/28/2016	DFM		1 OF 3
TICO MANUFACTURING - RIDGELAND, SC 29936				

**TICO PRO-SPOTTER**

<b>S/N:</b>	<b>ENGINE &amp; TRANS QSBVI -158HP</b>	<b>720798</b>
-------------	--	---------------

ITEM	PART #	QTY/M	DESCRIPTION	TASK
28	82382	3	BOLT, HEX 5/16-18 X 2 1/4" LONG	
29	85112	8	WASHER, FLAT 5/16"	
30	40593	4	P, CLAMP	
31	80349	1	STUD, 5/16-18 X 1" LONG WELD	
32	85112	8	WASHER, FLAT 5/16	
33	85035	1	NUT, NYLON LOCK, 5/16	
34	60953	1	PTO, CONSTANT MESH RDS3000	
NOT SHOWN	41037	1	HOSE ASSEMBLY, TRANSMISSION, PTO	
35	60061	1	PRESSURE STAT 10 LBS.	
36	40467	1	FITTING, TEE STREET, 1/8 NPT	
37	91068	1	SENSOR, OIL PRESSURE GAUGE	
38	91069	1	SENSOR, WATER TEMPERATURE GAUGE	
NOT SHOWN	41026	1	ASSEMBLY, HOSE #12 X 86" LONG, TRANSMISSION to COOLER	
NOT SHOWN	41240	1	ASSEMBLY, HOSE #12 X 93" LONG, TRANSMISSION to COOLER	
39	40471	2	FITTING, ADAPTER STR, 3/4 O-RING X #12 JIC	
40	10624	2	FITTING, ADAPTER 90°, 3/4 O-RING X #12 JIC	
41	61640	1	PEDAL ACCELERATOR, ELECTRONIC QSB	
42	90632	1	MOUNTING PLATE, ELECTRIC THROTTLE	
43	83318	2	SC HC SCREW 3/8-16 X 3 1/2" LONG	
44	85113	4	WASHER, FLAT 3/8	
45	85036	2	NUT, CROWN LOCK, 3/8-16	
46	60956	2	BRACKET TRANSMISSION, COOLING LINE	
47	82382	2	BOLT, HEX 5/16-18 X 1.25 LONG	
48	85013	2	NUT, HEX 5/16-18	
49	61916	1	PUMP, STEERING, 4 GPM, 2150 PSI, FLOW CONTRL, IXETIC	
50	40460	1	FITTING, ADAPTER 90°, 1/2 O-RING X #08 JIC	
51	60878	1	FITTING, ADAPTER 45°, 3/4 O-RING X #12 JIC	
52	60212	1	GASKET, HYDRAULIC PUMP	
53	80175	2	BOLT, SHS 10MM X 1.50 X 30	
54	61572-9	1	BRACKET, FRONT ENGINE MOUNT	
<b>REV</b>	<b>DATE</b>	<b>BY</b>		<b>SHEET</b>
E	1/28/2016	DFM		2 OF 3

