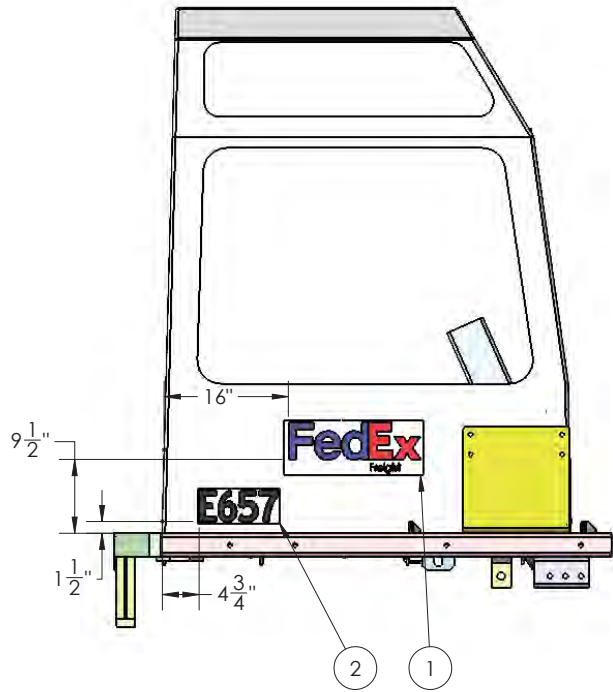


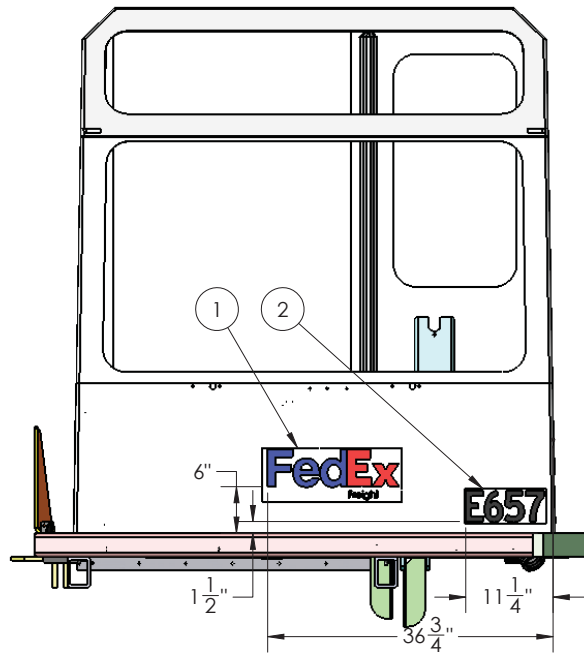
8 7 6 5 4 3 2 1

D

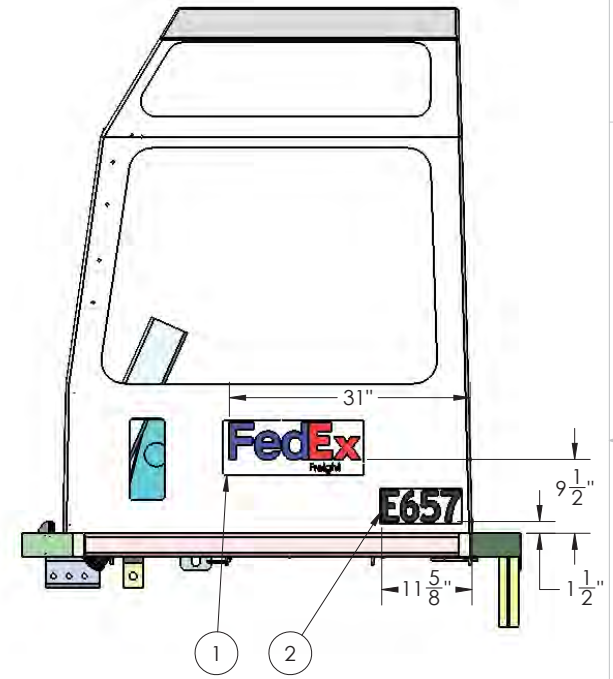
**RIGHT SIDE**



**FRONT**



**LEFT SIDE**



D

C

C


B

B

A

A

8 7 6 5 4 3 2 1

DIMENSIONS ARE IN INCHES TOLERANCES: DECIMAL: X.X ± 0.06 X.XX ± 0.03 X.XXX ± 0.005 ANGULAR: ± 0.5° FRACTIONAL: ± 1/32"	NAME	DATE	 TICO/TERMINAL SERVICE 66 CYPRESS RIDGE DR. RIDGELAND, SC 29936 (843) 717-2226	
	DRAWN	RM		3/07/2013
	REVISED	DFM		2/22/2016
	APPROVED			
DO NOT SCALE DRAWING			TITLE:	
INTERPRET GEOMETRIC TOLERANCING PER: ASME 14.5M-1994			LAYOUT FOR FEDEX DECALS ON CAB	
MATERIAL	THE SUBJECT MATTER SHOWN AND DESCRIBED IN THIS DRAWING AND ANY OTHER INFORMATION ADVANCED IN CONNECTION THEREWITH, IS PROPRIETARY PROPERTY AND IS TO BE HELD IN STRICT CONFIDENCE BY YOU. ALL RIGHTS TO ANY INVENTIONS, DESIGNS, TRADE MARKS, TRADE NAMES AND COPYRIGHTS DISCLOSED ARE RESERVED TO TICO TERMINAL SERVICES, INC.		SIZE <b>B</b>	
FINISH	DWG. NO. 72008-A1		REV <b>A</b>	
THICKNESS	SCALE: 1:16 WEIGHT: 1342.21 SHEET 1 OF 1			

