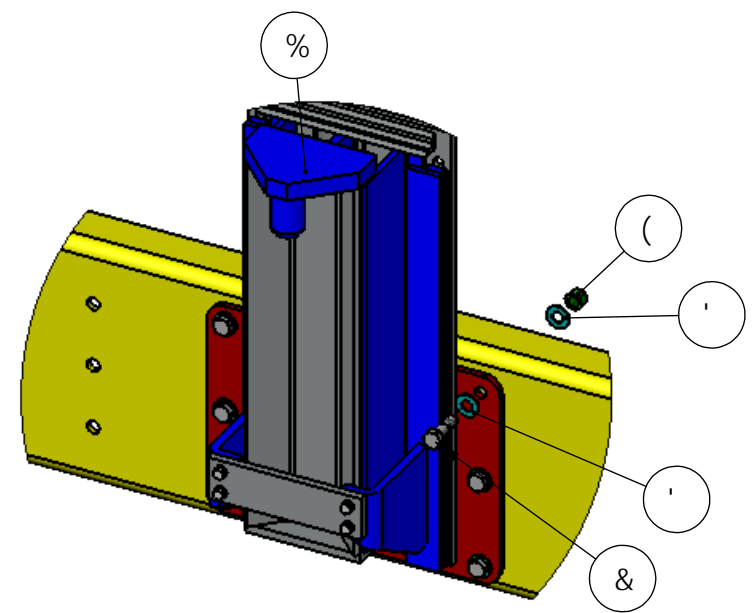
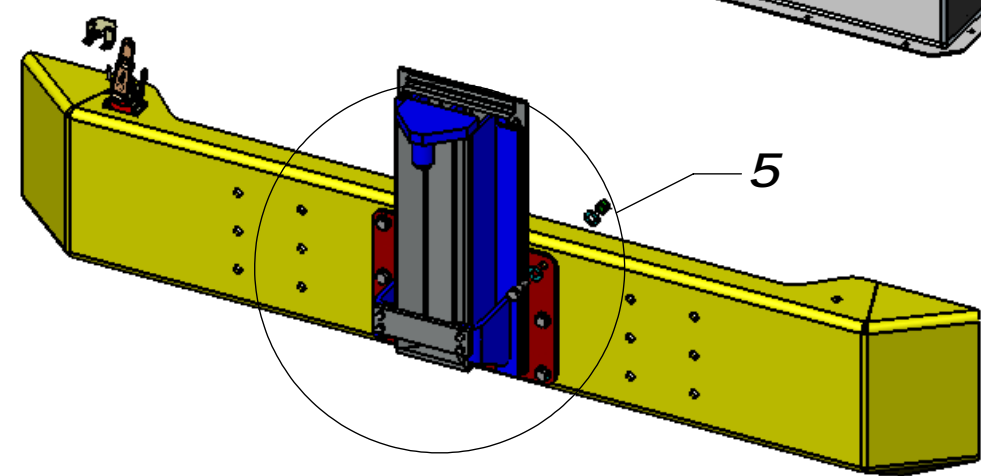


895-@6
G75@9%.'(



895-@5
G75@9%. %\$



B A 9BGC BG5F9 B B7 < 9G HC @F5B7 9G 897 A 5@		B5A 9	85H9		H7 C #9FA B5@G9FJ 7 9 **7 MDF9GGF 8; 98F" F-8; 9@B8ZG7 &- - * fl (' t +%+!&&*	
L'L' ± '\$\$' L'LL' ± '\$\$' L'LL' ± '\$\$\$' 5B; 1 @F. ± '\$)' * : F57HC B5@ ± '\$' &'	8F5K B	FK 7	%#%#%		H#1@.	8C @@MA 5GH9F' -BG5 @@5HC B
#HDF9H; 9CA 9F7 HC @F5B7 B; D9F. 5GA 9%()A 1% -(A 5H9F 5@	5DDFC J 98	8C BCHG75@98F5K B;		GAD	8K ; ""BC "	F9J
: B<		H: 9G 6>97 HA 5H9F G<CK B 5B8 89G7 F 698 B H: 68F5K B: 5B8 5BM C H: 9F B: C FA 5HC B 58J 5B7 98 B 7 C BB97 HC B H: 9F 9K H: 2G DFC DF 9B FMDFC D9F H5B8 GHC 69 < 9@B B GF 7 H7 CB: 89B7 96MMC 1" 5@F ± < HHC 5BMBJ 9BHC BG 89G: BQZF589A 5F?QZF589 B5A 9G5B8 7C DMF ± < HGB G7 @C 998 5F9F9G9FJ 98 HC H7 C H9FA B5@ G9FJ 7 9QZ B7 "		6	+% - %18%	8%
H: 7?B9GG				G75@9. %%*		G< 99H% C : %

