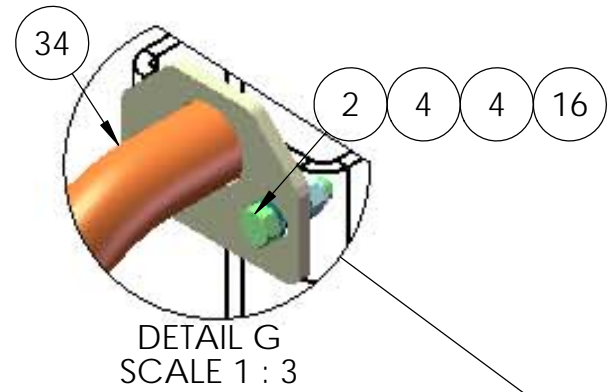
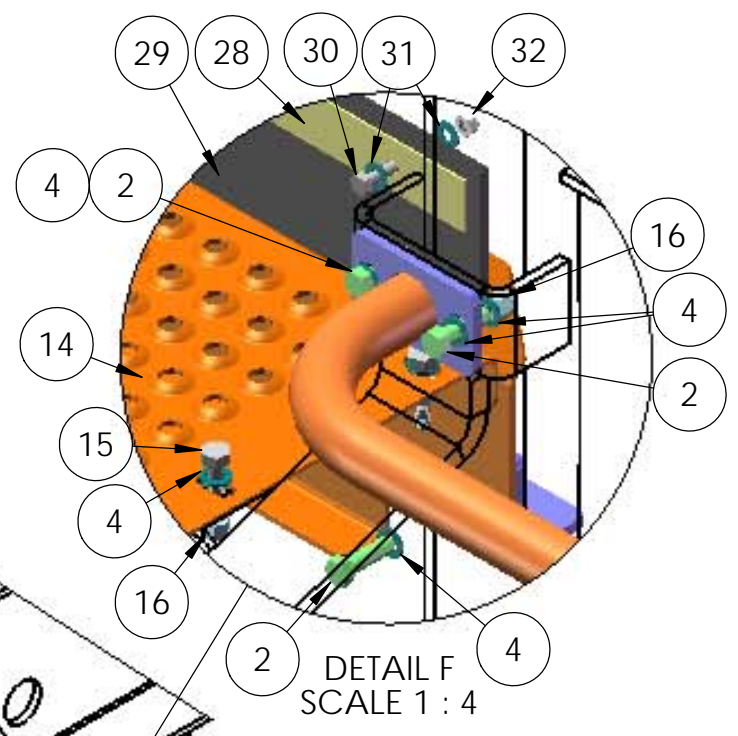


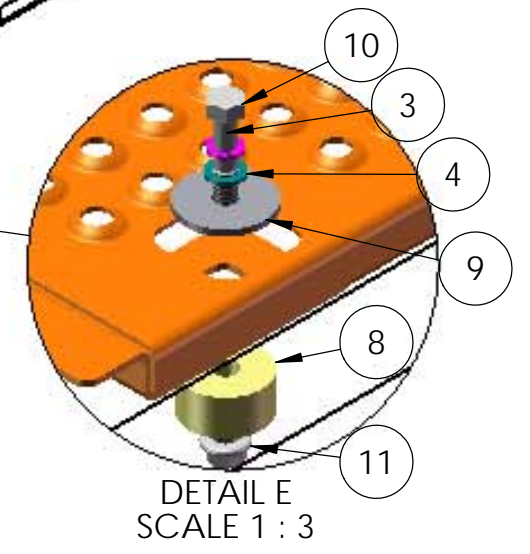
DETAIL A
SCALE 1 : 4



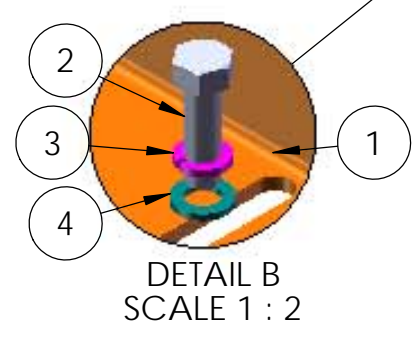
DETAIL G
SCALE 1 : 3



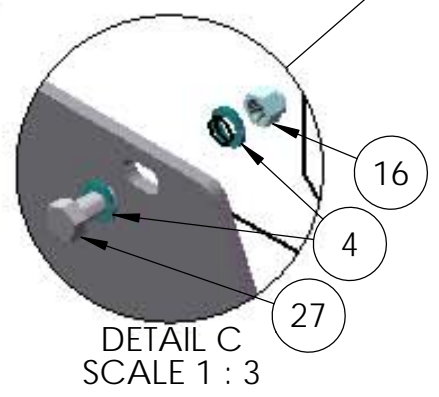
DETAIL F
SCALE 1 : 4



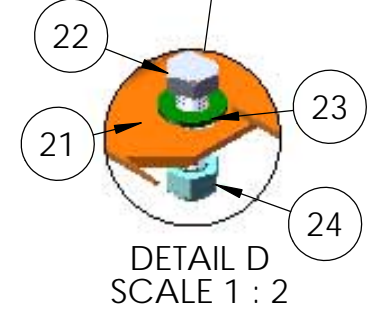
DETAIL E
SCALE 1 : 3



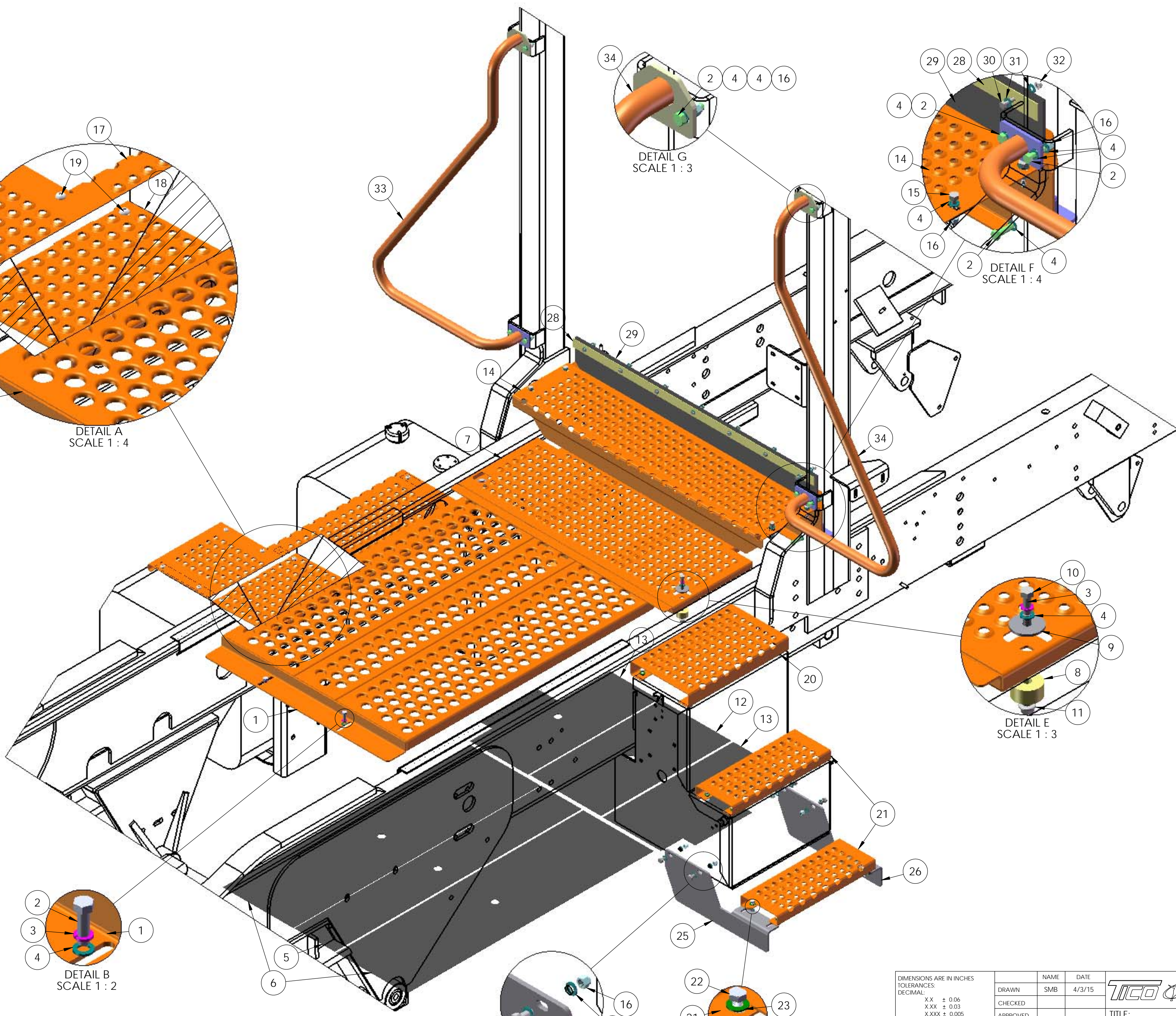
DETAIL B
SCALE 1 : 2



DETAIL C
SCALE 1 : 3



DETAIL D
SCALE 1 : 2



DIMENSIONS ARE IN INCHES		NAME	DATE	TICO/TERMINAL SERVICE 66 CYPRESS RIDGE DR. RIDGELAND, SC 29936 (843) 717-2226
TOLERANCES:		DRAWN	SMB 4/3/15	
DECIMAL:		CHECKED		
.XX ± 0.06 .XXX ± 0.03 .XXXX ± 0.005		APPROVED		TITLE:
ANGULAR: FRACTIONAL ± 0.5° ± 1/32"		DO NOT SCALE DRAWING		COVERS & GRATING
INTERPRET GEOMETRIC TOLERANCING PER: ASME 14.5M-1994		THE SUBJECT MATTER SHOWN AND DESCRIBED IN THIS DRAWING AND ANY OTHER INFORMATION ADVANCED IN CONNECTION THEREWITH, IS PROPRIETARY PROPERTY AND IS TO BE HELD IN STRICT CONFIDENCE BY YOU. ALL RIGHTS TO ANY INVENTIONS, DESIGNS, TRADE MARKS, TRADE NAMES AND COPYRIGHTS DISCLOSED ARE RESERVED TO TICO TERMINAL SERVICES, INC.		SIZE DWG. NO. REV
MATERIAL		C		71987-G1
FINISH		SCALE: 1:50		WEIGHT: SHEET 1 OF 1
THICKNESS				

TICO PRO-SPOTTER				
S/N:		COVERS & GRATING - QSB OPEN GRIP PATTERN		71987
ITEM	PART #	QTY/M	DESCRIPTION	TASK
	71987-G1	REF	COVERS & GRATING	
1	30313	1	GRATING, BOOM COVER	
2	82383	11	BOLT, HEX 3/8"-16 X 1-1/2" LG	
3	85135	4	LOCKWASHER, 3/8" HELICAL SPRING	
4	85091	34	WASHER, FLAT 3/8"	
5	30249	1	HEAT SHIELD, 7"	
6	30250	2	HEAT SHIELD, 12"	
7	30314	1	GRATING, TRANSMISSION COVER	
8	20136	2	SPACER, TRANSMISSION COVER	
9	50162-9	2	WASHER, 1 5/8" OD X 13/32" ID X 1/8" THICK	
10	82416	2	BOLT, HEX 3/8-16 X 2" LG	
11	80205	2	NUT, FLANGE, 3/8-16	
12	30257	1	HEAT SHIELD, TRANSMISSION COVER, MIDDLE	
13	30258	2	HEAT SHIELD, TRANSMISSION COVER, OUTER	
14	30319	1	GRATING, CAB STEP UP	
15	80317	4	BOLT, HEX 3/8-16 X 1 1/2" LG	
16	85025	12	LOCKNUT, NYLOCK, 3/8"-16	
17	30315	1	GRATING, FUEL TANK, TOP	
18	30316	1	GRATING, FUEL TANK STEP	
19	80378	14	CAPSCREW, 3/8-16 UNC X 1/2 LG, BUTTONHEAD, SS	
20	30317	1	GRATING, BATTERY BOX, TOP	
21	30318	2	GRATING, BATTERY BOX, MIDDLE AND BOTTOM	
22	82360	12	BOLT, HEX, 5/16-18 X 3/4" LG	
23	85090	12	WASHER, FLAT, 5/16	
24	85024	12	LOCKNUT, NYLOCK, 5/16-18	
25	30267	1	MOUNT PLATE, BOTTOM STEP, LH	
26	30268	1	MOUNT PLATE, BOTTOM STEP, RH	
27	82372	4	BOLT, HEX, 3/8-16 X 1" LG	
28	90885-1	1	CLAMP PLATE	
29	90885-3	1	BAFFLE	
REV	DATE	BY		SHEET
				1 OF 2

TICO MANUFACTURING - RIDGELAND, SC 29936

