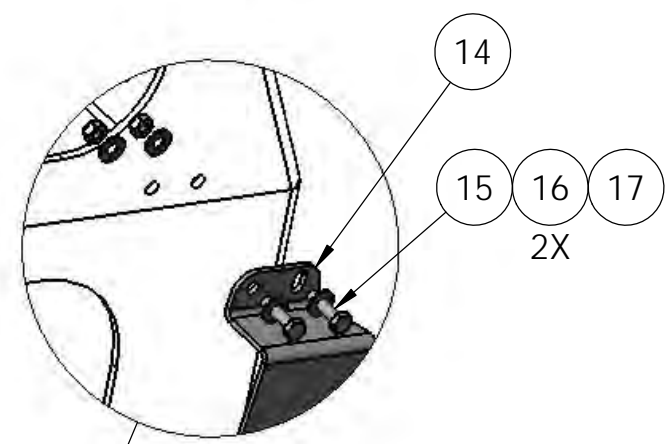
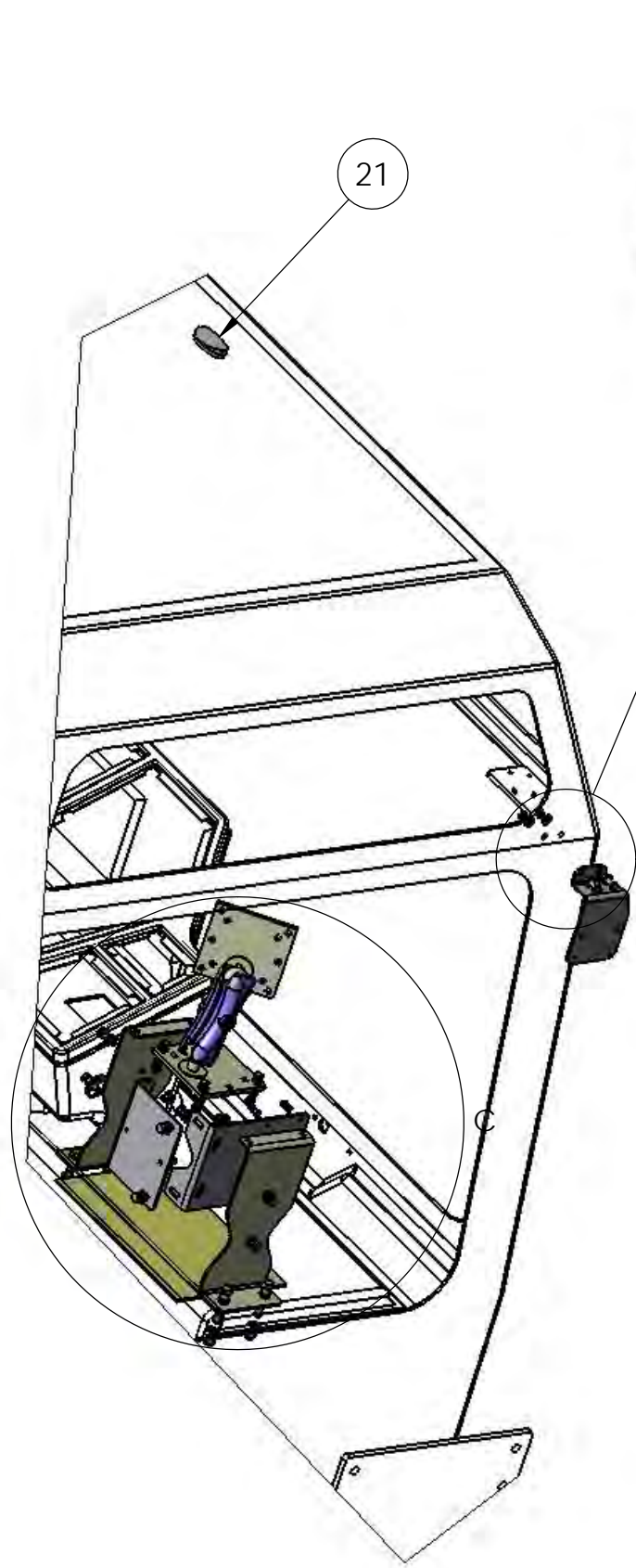
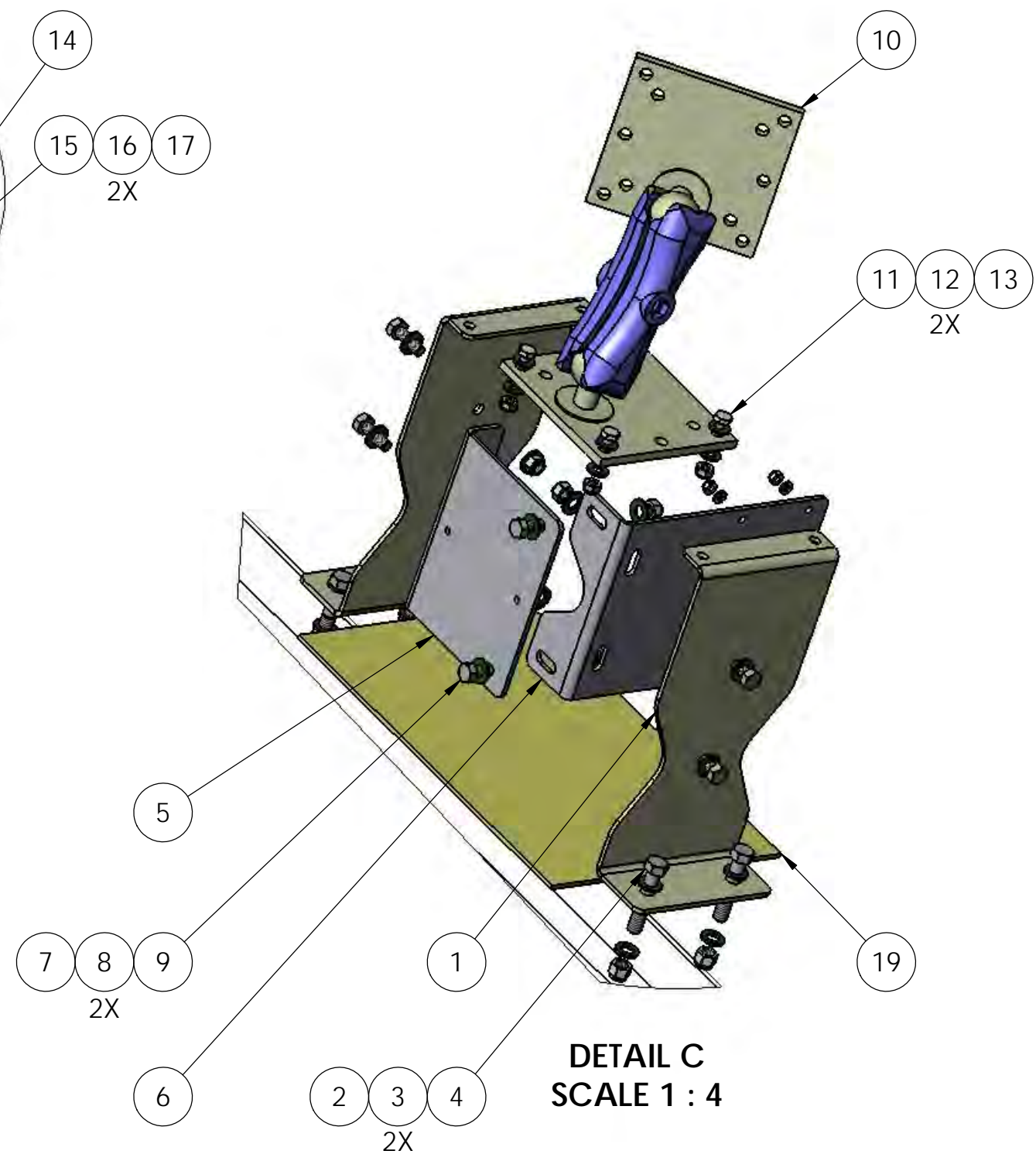


8 7 6 5 4 3 2 1


D  
C  
B  
A



**DETAIL A  
SCALE 1 : 4**



**DETAIL C  
SCALE 1 : 4**

DIMENSIONS ARE IN INCHES		NAME	DATE	 TICO/TERMINAL SERVICE 66 CYPRESS RIDGE DR. RIDGELAND, SC 29936 (843) 717-2226	
TOLERANCES:		DRAWN	SMB		07/22/2015
DECIMAL:		REVISED	MPC		08/09/2016
X.X ± 0.06 X.XX ± 0.03 X.XXX ± 0.005		APPROVED			
ANGULAR: ± 0.5°		DO NOT SCALE DRAWING			<b>TITLE:</b> ASSEMBLY, COMPUTER MOUNTING PACKAGE
FRACTIONAL ± 1/32"		INTERPRET GEOMETRIC TOLERANCING PER: ASME 14.5M-1994			
MATERIAL		THE SUBJECT MATTER SHOWN AND DESCRIBED IN THIS DRAWING AND ANY OTHER INFORMATION ADVANCED IN CONNECTION THEREWITH, IS PROPRIETARY PROPERTY AND IS TO BE HELD IN STRICT CONFIDENCE BY YOU. ALL RIGHTS TO ANY INVENTIONS, DESIGNS, TRADE MARKS, TRADE NAMES AND COPYRIGHTS DISCLOSED ARE RESERVED TO TICO TERMINAL SERVICES, INC.			<b>SIZE</b> <b>B</b>
FINISH		<b>DWG. NO.</b> 71978-F1		<b>REV</b>	
THICKNESS					SHEET 1 OF 1

8 7 6 5 4 3 2 1

TICO PRO-SPOTTER				
S/N:		ASSEMBLY, COMPUTER MOUNTING PACKAGE		71978
ITEM	PART #	QTY/M	DESCRIPTION	
	71978-F1	REF	ASSEMBLY, COMPUTER MOUNTING PACKAGE	
	12517-3	REF	ASSEMBLY, BASE	
	71882-1	REF	SCHEMATIC, WIRING FOR COMPUTER SYSTEM	
	20258	REF	DASH, COMPUTER CABLE LOCATIONS	
	12517-4	REF	ASSEMBLY, BASE	
1	12517	2	BRACKET, MOUNT FOR COMPUTER	
2	82416	4	BOLT, 3/8-16 X 2 LONG	
3	85091	8	WASHER, FLAT, 3/8	
4	85025	4	LOCKNUT, NYLON, 3/8-16	
5	12517-1	1	BRACKET, REINFORCEMENT, COMPUTER MOUNT	
6	12517-2	1	BRACKET, REINFORCEMENT, COMPUTER MOUNT	
7	82371	8	BOLT, HEX HEAD, 5/16-18 X 1 LONG	
8	85090	16	WASHER, FLAT, 5/16	
9	85024	8	LOCKNUT, NYLON, 5/16-18	
10	91671	1	KIT, SWIVEL ARM AND BALL	
11	82370	4	BOLT, HEX HEAD, 1/4-20 X 1 LONG	
12	85089	8	WASHER, FLAT, 1/4	
13	85023	4	LOCKNUT, NYLON, 1/4-20	
14	91683	1	MOUNTING BRACKET (FOR ANTENNA)	
15	80361	2	BOLT, HEX HEAD, STAINLESS STEEL, 1/4-20 X 1 LONG	
16	80311	2	WASHER, FLAT, STAINLESS STEEL, 1/4	
17	80360	2	LOCKNUT, NYLON, STAINLESS STEEL, 1/4-20	
NOT SHOWN	42132	2	GROMMET, 5/16 ID X 1/2 OD	
NOT SHOWN	91840	1	GROMMET, 1-1/4 OD X 3/4 ID X 3/16 THICK	
NOT SHOWN	91673	1	ANTENNA (FOR BOTH WWAN & WLAN)	
NOT SHOWN	91676	1	CABLE, WWAN, 72" (ANTENNA TO COMPUTER)	
NOT SHOWN	91674	1	CABLE, POWER (WITH FUSE FOR COMPUTER)	
18	91677	1	ANTENNA, GPS, 120"	
19	91598-1	1	PLATE (BACK UP FOR INSTRUMENTATION)	
REV	DATE	BY		SHEET
F	08/09/2016	MPC		1 OF 1