

8 7 6 5 4 3 2 1

D

D

C

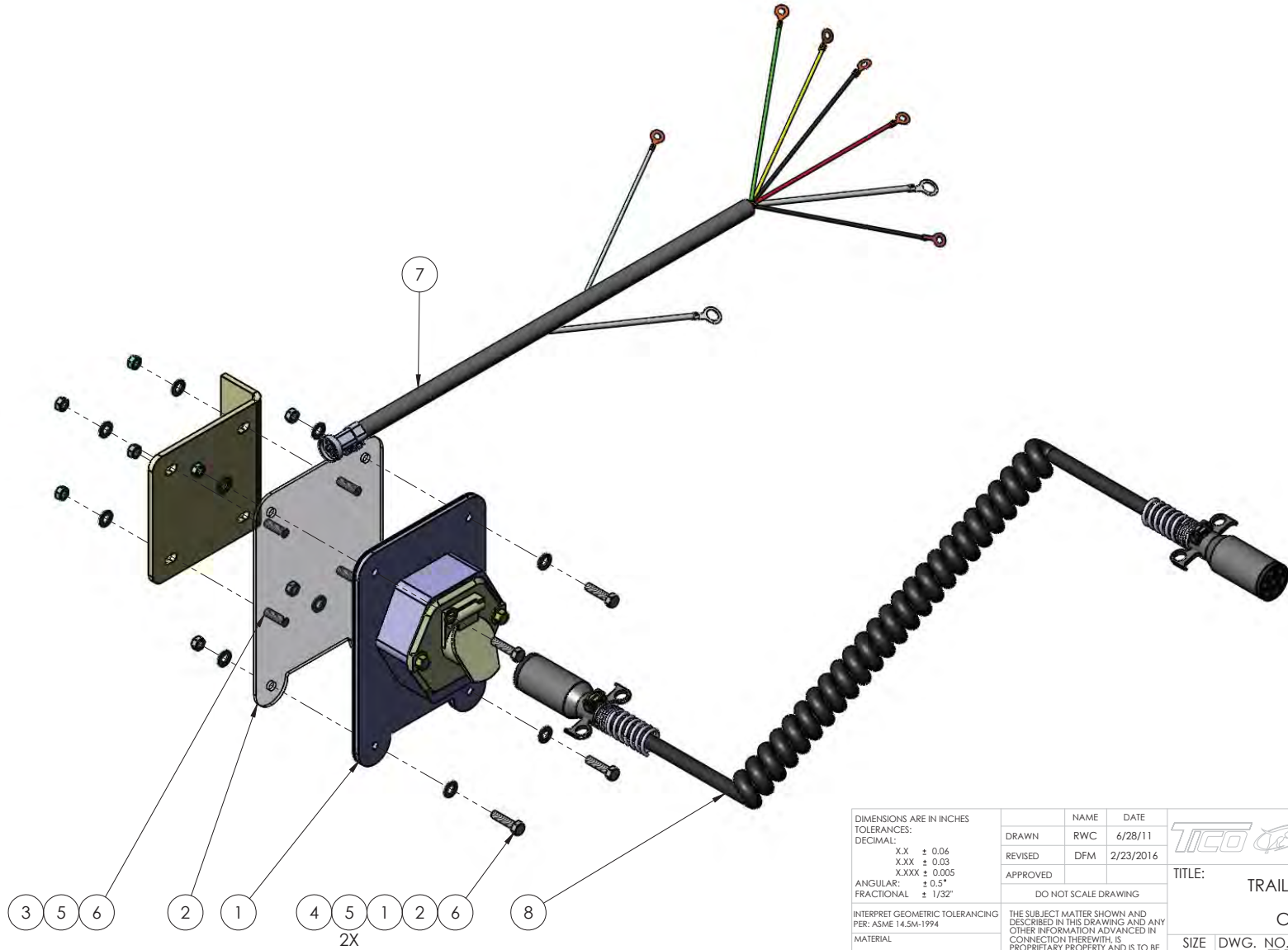
C

B

B

A

A



DIMENSIONS ARE IN INCHES
 TOLERANCES:
 DECIMAL:
 X.X ± 0.06
 X.XX ± 0.03
 X.XXX ± 0.005
 ANGULAR: ± 0.5°
 FRACTIONAL: ± 1/32"

INTERPRET GEOMETRIC TOLERANCING PER: ASME 14.5M-1994
 MATERIAL
 FINISH
 THICKNESS

NAME	DATE
DRAWN RWC	6/28/11
REVISED DFM	2/23/2016
APPROVED	

DO NOT SCALE DRAWING
 THE SUBJECT MATTER SHOWN AND DESCRIBED IN THIS DRAWING AND ANY OTHER INFORMATION ADVANCED IN CONNECTION THEREWITH, IS PROPRIETARY PROPERTY AND IS TO BE HELD IN STRICT CONFIDENCE BY YOU. ALL RIGHTS TO ANY INVENTIONS, DESIGNS, TRADE MARKS, TRADE NAMES AND COPYRIGHTS DISCLOSED ARE RESERVED TO TICO TERMINAL SERVICES, INC.

TICO TERMINAL SERVICE
 66 CYPRESS RIDGE DR.
 RIDGELAND, SC 29936
 (843) 717-2226

TITLE: TRAILER LIGHTS & CABLES

SIZE B DWG. NO. 71929-A1 REV

SCALE: 1:3 SHEET 1 OF 1

8 7 6 5 4 3 2 1

