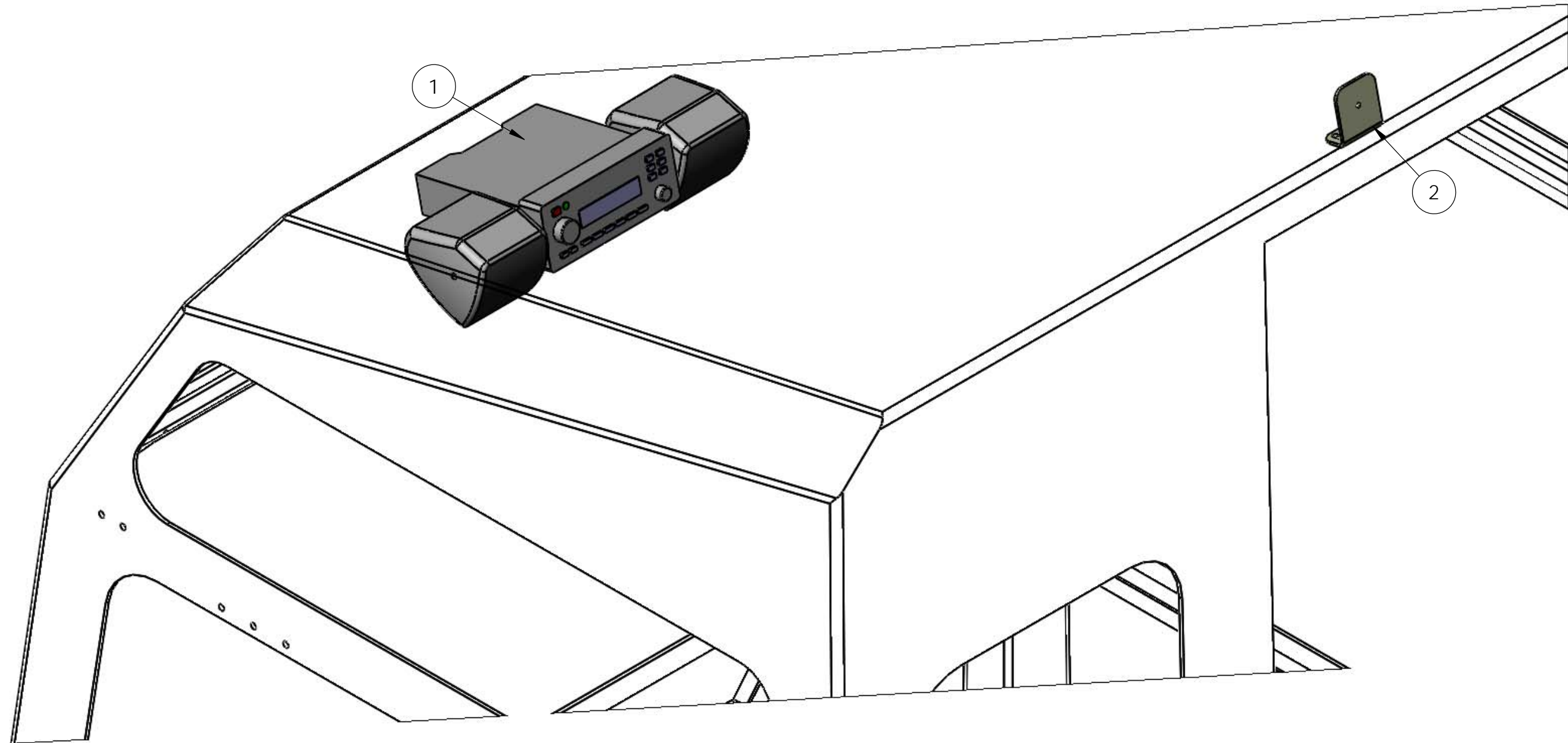



8 7 6 5 4 3 2 1

D  
C  
B  
A

D  
C  
B  
A



DIMENSIONS ARE IN INCHES TOLERANCES: DECIMAL: X.X ± 0.06 X.XX ± 0.03 X.XXX ± 0.005 ANGULAR: ± 0.5° FRACTIONAL ± 1/32"		NAME SMB DATE 07/23/2015	 TICO/TERMINAL SERVICE 66 CYPRESS RIDGE DR. RIDGELAND, SC 29936 (843) 717-2226	
INTERPRET GEOMETRIC TOLERANCING PER: ASME 14.5M-1994	MATERIAL	DRAWN CHECKED APPROVED		TITLE: <b>RADIO SYSTEM-AM/FM                  RADIO, CD,MP3</b>
FINISH	THICKNESS	DO NOT SCALE DRAWING		
THE SUBJECT MATTER SHOWN AND DESCRIBED IN THIS DRAWING AND ANY OTHER INFORMATION ADVANCED IN CONNECTION THEREWITH, IS PROPRIETARY PROPERTY AND IS TO BE HELD IN STRICT CONFIDENCE BY YOU. ALL RIGHTS TO ANY INVENTIONS, DESIGNS, TRADE MARKS, TRADE NAMES AND COPYRIGHTS DISCLOSED ARE RESERVED TO TICO TERMINAL SERVICES, INC.		SIZE <b>B</b>	DWG. NO. <b>71925-A1</b>	REV <b>A1</b>
SCALE: 1:10		SHEET 1 OF 1		

8 7 6 5 4 3 2 1

