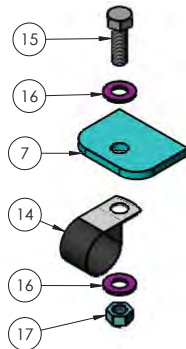
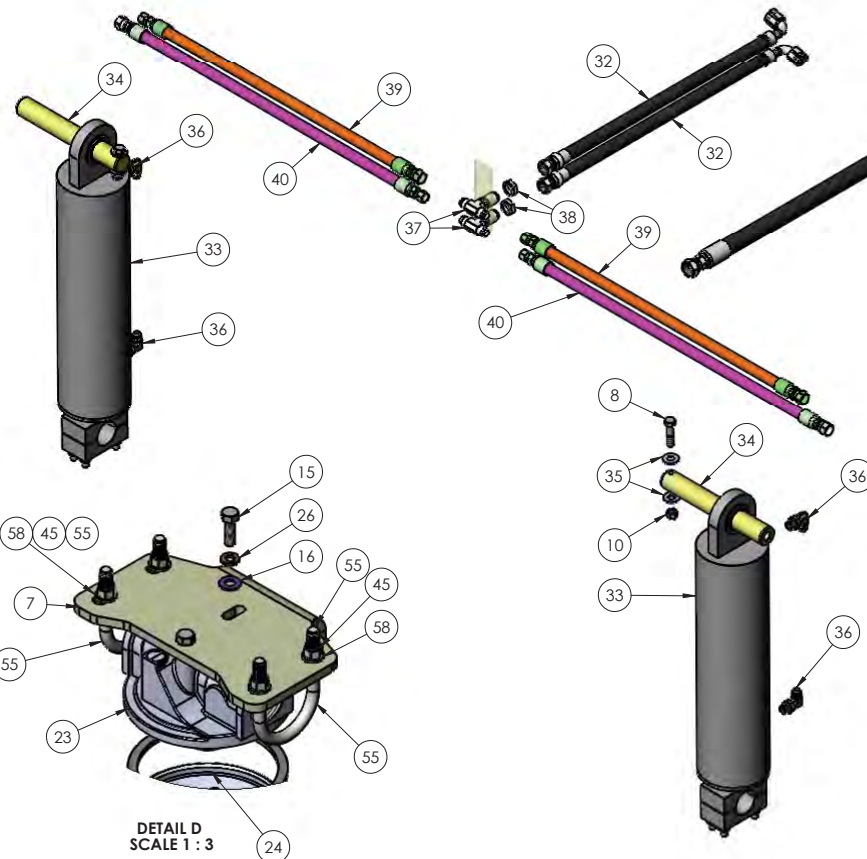
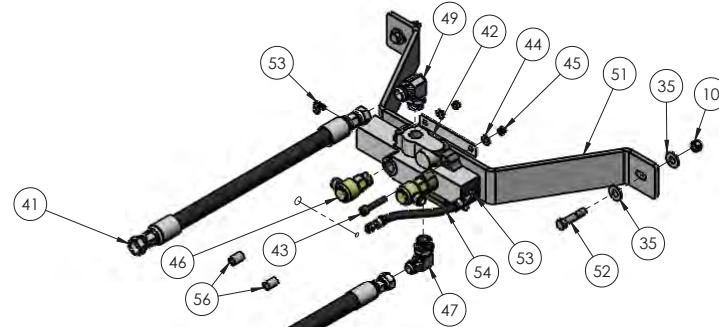
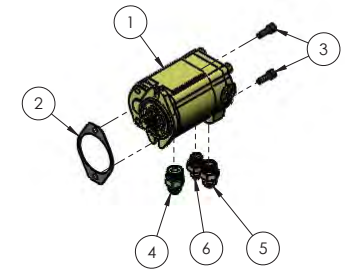


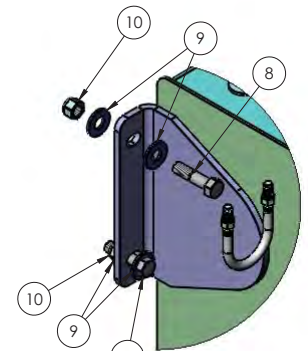
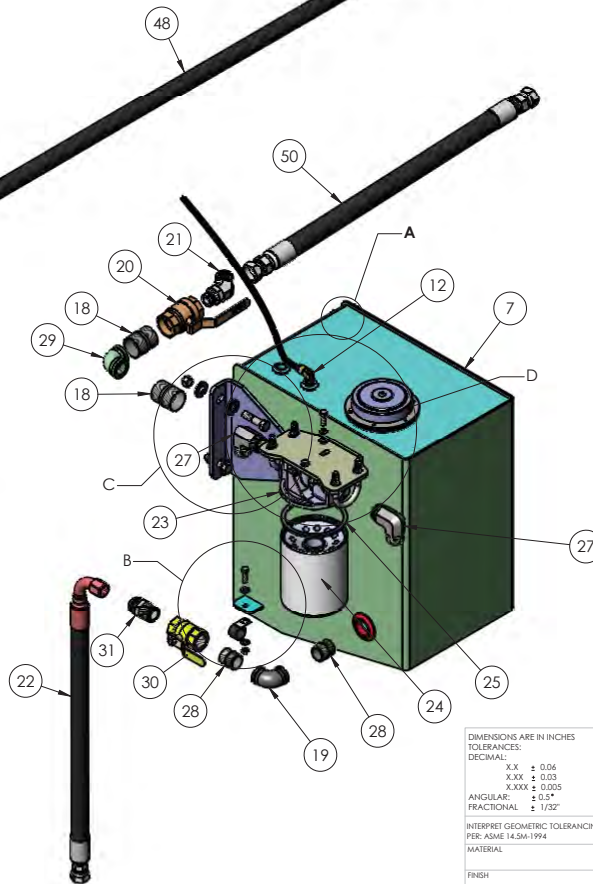
DETAIL A
SCALE 1 : 1



DETAIL B
SCALE 1 : 2



DETAIL D
SCALE 1 : 3



DETAIL C
SCALE 1 : 4

DIMENSIONS ARE IN INCHES
TOLERANCES:
DECIMAL:
XXX ± 0.06
XX.X ± 0.03
X.XXX ± 0.005
ANGULAR: ± 0.5°
FRACTIONAL: ± 1/32"

INTERPRET GEOMETRIC TOLERANCING PER: ASME 14.5M-1994

MATERIAL

FINISH

THICKNESS

NAME	DATE
DFM	08/11/2015
CHECKED	
APPROVED	

DO NOT SCALE DRAWING

THE SUBJECT MATTER SHOWN AND DESCRIBED IN THIS DRAWING AND ANY OTHER INFORMATION ADVANCED IN CONNECTION THEREWITH IS PROPRIETARY PROPERTY AND IS TO BE HELD IN STRICT CONFIDENCE BY YOU. ALL RIGHTS TO ANY INVENTIONS, DESIGNS, TRADE MARKS, TRADE NAMES AND COPYRIGHTS DISCLOSED ARE RESERVED TO TICO TERMINAL SERVICES, INC.

		TICO/TERMINAL SERVICE 66 CYPRESS RIDGE DR. RIDGELAND, SC 29936 (843) 717-2226
TITLE: HYD SYSTEM- ISB 2013		
SIZE	DWG. NO.	REV
C	71924-C1	
SCALE: 1:6	SHEET 1 OF 1	

TICO PRO-SPOTTER

S/N:	HYDRAULIC SYSTEM - ELECTRONIC CONTROL- 20 GPM - 42098 TANK	71924
-------------	--	--------------

ITEM	PART #	QTY/M	DESCRIPTION	TASK
	71918-J1	REF	HYD SYSTEM - ELECTRONIC CONTROL	
1	61962	1	PUMP, 20 GPM, STEER PRIORITY	
2	60212	1	GASKET, PUMP	
3	80175	2	BOLT, SOC HD, M10 X 1.5 X 30 MM LG, AT PUMP	
4	42019	1	ADAPTER, STR, 1" ORB TO 1 1/4 JIC, PUMP SUCTION	
5	40471	1	ADAPTER, STR, 3/4" O-RING X 3/4" JIC	
6	42006	1	ADAPTER, STR, 1/2" O-RING X 1/2" JIC	
7	42098	1	TANK, HYDRAULIC	
8	82418	4	BOLT, HEX, 1/2-13 X 2 LG	
9	85104	8	WASHER, FLAT, 1/2"	
10	85027	4	NUT, NYLOCK, 1/2-13	
11	30174	1	SPACER, HYDRAULIC TANK	
12	40823	1	ELBOW, 90°, 3/8" TUBE X 3/8" NPT	
13	11004	3 FT	TUBING, NYLON, 3/8" DIA, AIR BRAKE, BLACK	
14	40593	1	P-CLAMP	
15	82371	1	BOLT, HEX, 5/16-18 X 1" LG	
16	85112	2	WASHER, FLAT, 5/16"	
17	85024	1	NUT, NYLOCK, 5/16-18	
18	40816	2	NIPPLE, CLOSE, 1 1/4" NPT	
19	40805	1	ELBOW, 90°, STREET, 1 1/4" FEM TO 1 1/4" FEM	
20	40218	1	VALVE, BALL, 1 1/4" NPT	
21	40984	1	ELBOW, 45°, 1 1/4" JIC X 1 1/4" NPT	
22	41270	1	HOSE - SUCTION - 1-1/4 DIA X 93 1/2" LG HOSE LENGTH	
23	60556-2	1	FILTER HEAD	
24	60556-1	1	FILTER	
25	1026037	1	SEAL	
26	85134	2	LOCKWASHER, 5/16"	
27	40963	2	ELBOW, 90°, 1-1/4" PIPE X 1" JIC	
28	41120	2	NIPPLE, CLOSE, 1" NPT	
29	41119	1	ELBOW, 90°, STREET, 1" FEM PIPE, BOTH ENDS	
30	40146	1	VALVE, SHUT-OFF, 1"	
31	40961	1	ADAPTER, STR, 1" PIPE X 1" JIC	
32	41218	1	HOSE ASS'Y, 1" X 25" HOSE, 30 1/16" OAL, FILTER TO TANK	
REV	DATE	BY		SHEET
				1 OF 2

