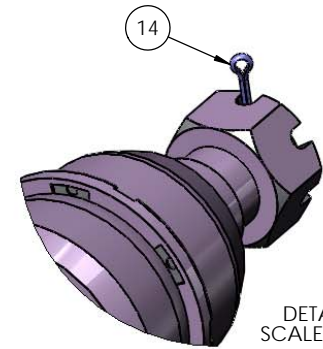
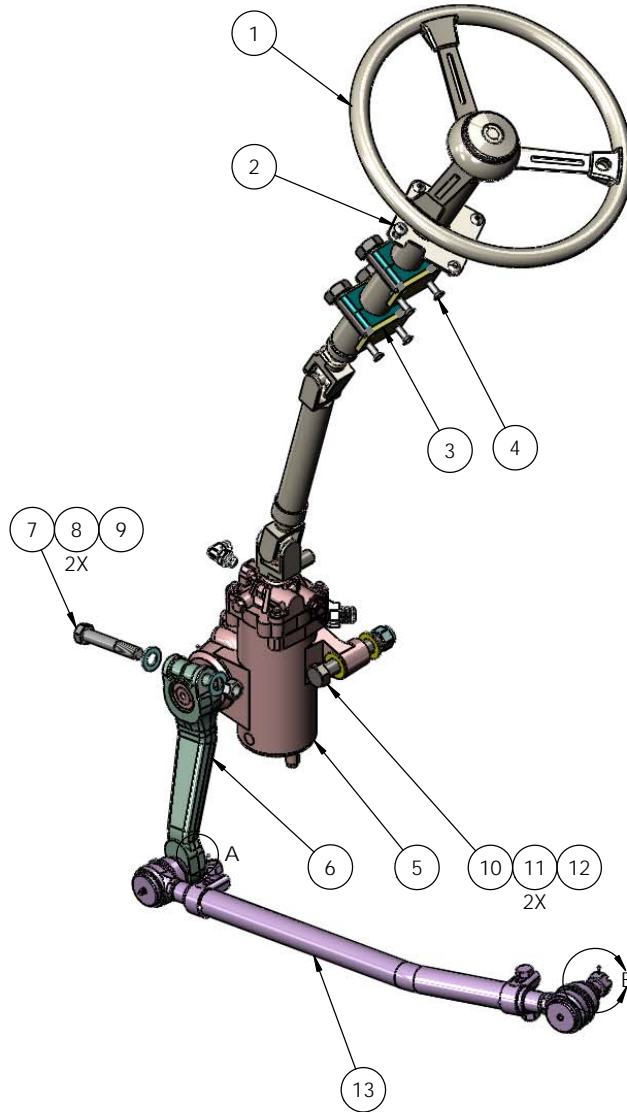



DETAIL A  
SCALE 1 : 1



DETAIL B  
SCALE 1 : 1.2

DIMENSIONS ARE IN INCHES		NAME	DATE	 TICO/TERMINAL SERVICE 66 CYPRESS RIDGE DR. RIDGELAND, SC 29936 (843) 717-2226
TOLERANCES:		DRAWN		
DECIMAL:		REVISED	PW 02/22/2016	
X.X ± 0.06		REVISED	MPC 05/09/2016	
X.XX ± 0.03		DO NOT SCALE DRAWING		TITLE:
X.XXX ± 0.005				ASSEMBLY, STEERING SYSTEM
ANGULAR: ± 0.5°				SIZE
FRACTIONAL: ± 1/32"				DWG. NO.
INTERPRET GEOMETRIC TOLERANCING PER: ASME 14.5M-1994				71921-G1
MATERIAL				REV
FINISH				
THICKNESS				
				SHEET 1 OF 1

