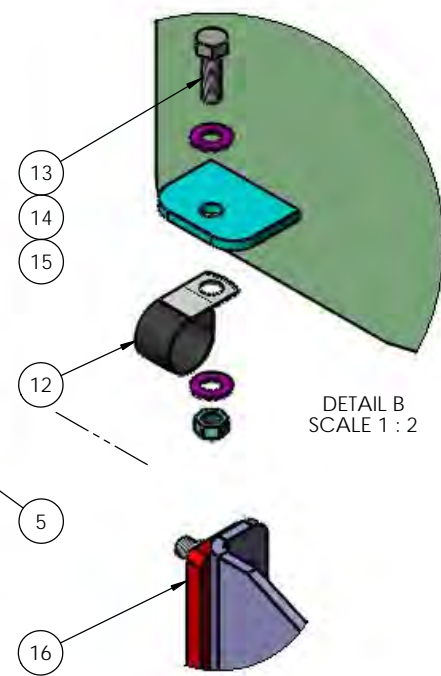
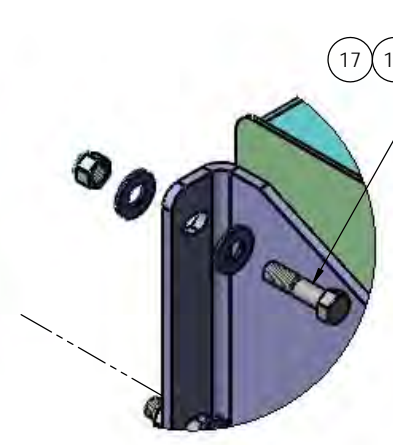


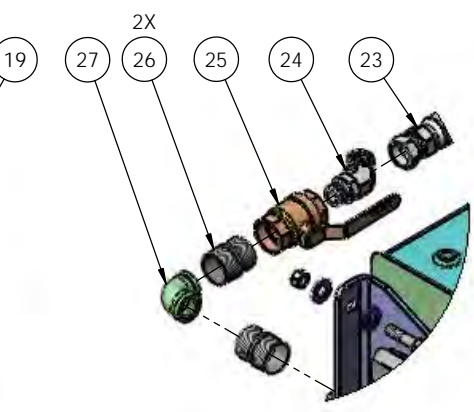
DETAIL A
SCALE 1 : 4



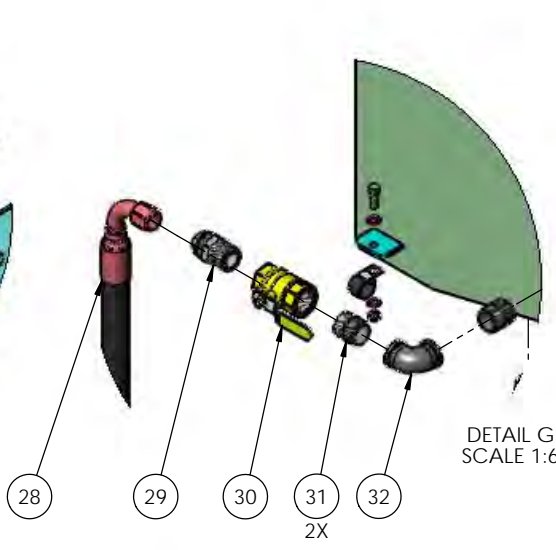
DETAIL B
SCALE 1 : 2



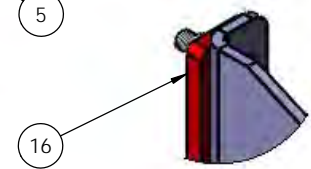
DETAIL D
SCALE 1 : 3



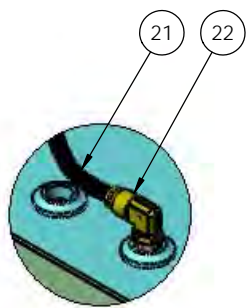
DETAIL F
SCALE 1:6



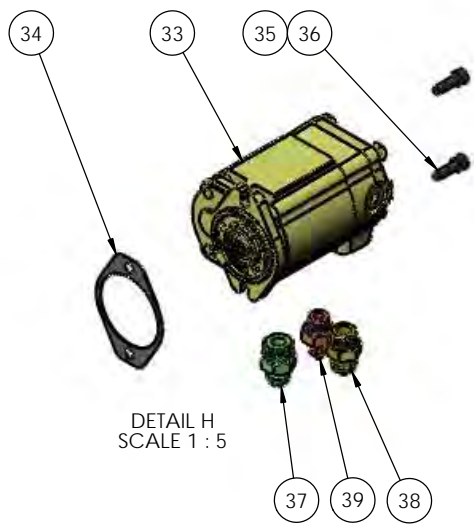
DETAIL G
SCALE 1:6



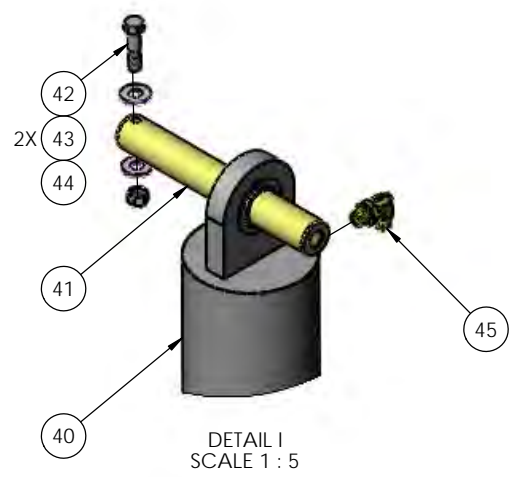
DETAIL C
SCALE 1 : 3



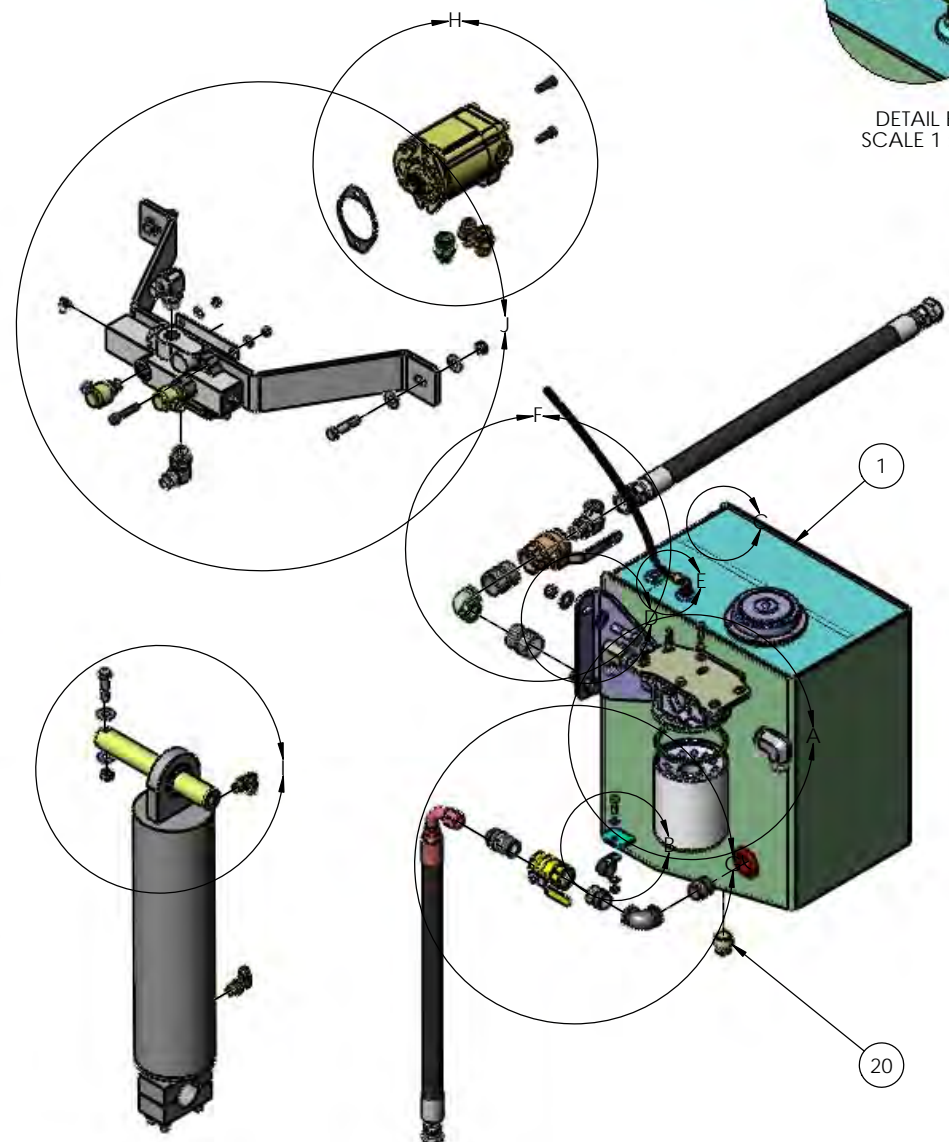
DETAIL E
SCALE 1 : 3



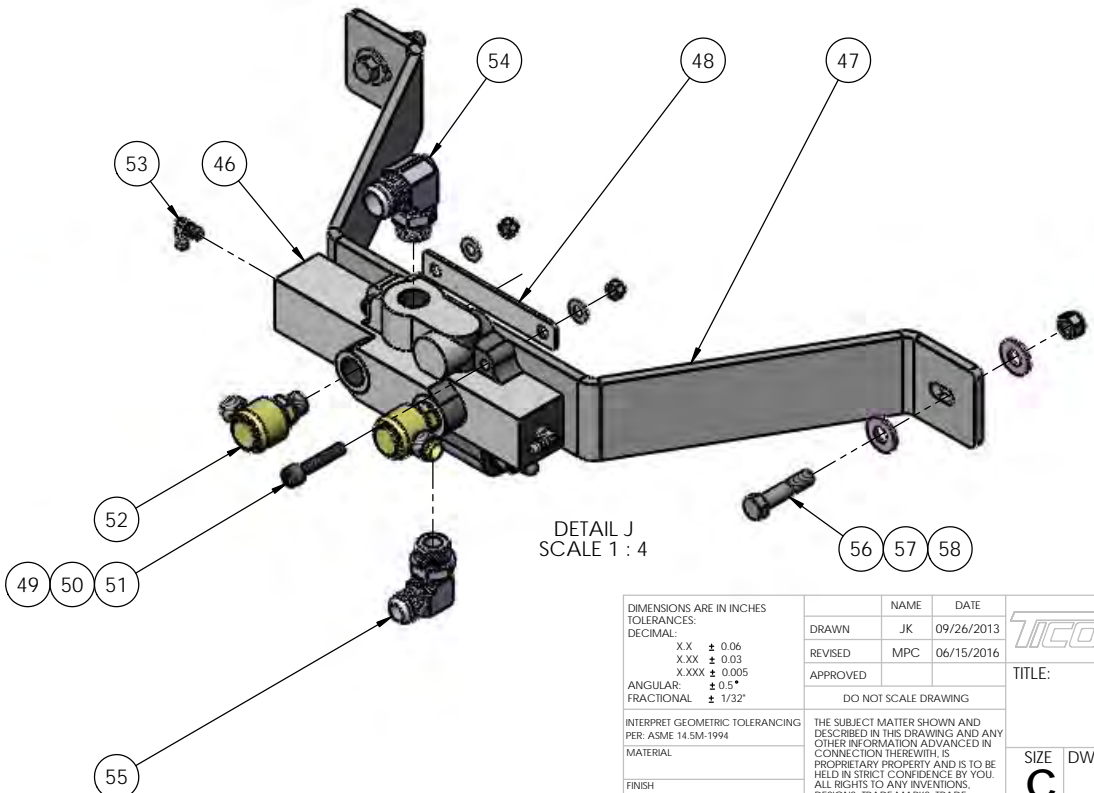
DETAIL H
SCALE 1 : 5



DETAIL I
SCALE 1 : 5



DETAIL J
SCALE 1 : 4



DIMENSIONS ARE IN INCHES
TOLERANCES:
DECIMAL:
XX ± 0.06
XXX ± 0.03
XXXX ± 0.005
ANGULAR:
FRACTIONAL ± 1/32"

INTERPRET GEOMETRIC TOLERANCING PER: ASME 14.5M-1994

MATERIAL

FINISH

THICKNESS

NAME	DATE
DRAWN JK	09/26/2013
REVISED MPC	06/15/2016
APPROVED	

DO NOT SCALE DRAWING

THE SUBJECT MATTER SHOWN AND DESCRIBED IN THIS DRAWING AND ANY OTHER INFORMATION ADVANCED IN CONNECTION THEREWITH IS PROPRIETARY PROPERTY AND IS TO BE HELD IN STRICT CONFIDENCE BY YOU. ALL RIGHTS TO ANY INVENTIONS, DESIGNS, TRADE MARKS, TRADE NAMES AND COPYRIGHTS DISCLOSED ARE RESERVED TO TICO TERMINAL SERVICES, INC.

TICO/TERMINAL SERVICE 66 CYPRESS RIDGE DR. RIDGELAND, SC 29936 (843) 717-2226	
TITLE: HYDRAULIC SYSTEM	
SIZE C	DWG. NO. 71918-K1
REV	SHEET 1 OF 1

TICO PRO-SPOTTER				
S/N:		ASSEMBLY, HYADRULIC SYSTEM, 128" WHEEL BASE, 20 GPM		71918
ITEM	PART #	QTY/M	DESCRIPTION	
	71806-S1	REF	HYDRAULIC SYSTEM, ELECTRONIC CONTROL, 20 GPM	
	42019	REF	FITTING, ADAPTER, STRAIGHT, 1 1/4 JIC TO 1" ORB (AT PUMP)	
	40471	REF	FITTING, ADAPTER, STRAIGHT, PRESSURE, 3/4 ORB TO 3/4 JIC (AT PUMP)	
1	42098	1	TANK, HYDRAULIC, 11 GALLON	
2	60556-1	1	FILTER	
3	1026037	1	SEAL	
4	60556-2	1	FILTER HEAD	
5	40963	2	FITTING, ELBOW, 90°, 1 1/4 PIPE TO 1 JIC (AT FILTER)	
6	20100	2	U-BOLT, 3/8 DIAMETER X 2 INNER DIAMTER X 3 5/8 OVERALL	
7	85091	4	WASHER, HARDENED, 3/8-16	
8	85025	4	LOCKNUT, NYLON, 3/8-16	
9	82371	2	BOLT, HEX HEAD, 5/16-18 X 1 LONG (FILTER TO TANK)	
10	85090	2	WASHER, 5/16-18	
11	85134	2	LOCKNUT, NYLON, 5/16-18	
12	40593	1	P-CLAMP, 1"	
13	82371	1	BOLT, HEX HEAD, 5/16-18 X 1 LONG	
14	85112	2	WASHER, 5/16-18	
15	85024	1	LOCKNUT, NYLON, 5/16-18	
16	30174	1	SPACER, HYDRAULIC TANK	
17	82418	4	BOLT, HEX HEAD, 1/2-13 X 2 LONG	
18	85104	8	WASHER, FLAT, 1/2-13	
19	85027	4	LOCKNUT, NYLON, 3/8-16	
20	40841	2	PIPE PLUG, HEX SOCKET HEAD, 3/8" NPT	
21	11004	3 FT	TUBING, NYLON, AIR BRAKE, BLACK, 3/8 DIAMETER	
22	40823	1	FITTING, ELBOW, 90°, 3/8 TUBE TO 3/8 NPT (AT TANK TOP)	
23	41270	1	HOSE, SUCTION, 1-1/4 DIAMETER X 93 1/2 LONG	
24	40984	1	FITTING, ELBOW, 45°, 1 1/4 NPT TO 1 1/4 JIC	
25	40218	1	BALL VALVE, 1 1/4 NPT	
26	40816	2	FITTING, NIPPLE, CLOSE STEEL, 1 1/4 NPT (AT TANK)	
27	40805	1	FITTING, STREET, ELBOW, 90°, 1 1/4 FEM TO 1 1/4 FEM	
28	41218	1	HOSE, 1 X 25 HOSE X 30 1/16 OVERALL (FILTER TO TANK)	
29	40961	1	FITTING, ADAPATER, STRAIGHT, 1" PIPE TO 1" JIC (AT SHUT-OFF)	
30	40146	1	VALVE, SHUT-OFF, 1"	
31	41120	2	FITTING, NIPPLE, CLOSE STEEL, 1" NPT (AT SHUT-OFF & TANK)	
32	41119	1	FITTING, STREET, ELBOW, 90°, 1" FEM TO 1" FEM	
33	61962	1	PUMP, 20 GPM, STEER PRIORITY	
34	60212	1	GASKET	
35	80175	2	BOLT, SOCKET HEAD, M10 X 1.5 X 30 MM LONG	
36	85091	2	WASHER, 3/8	
37	42019	1	FITTING, ADAPTER, STRAIGHT, 1" ORB TO 1-1/4 JIC (PUMP SUCTION)	
38	40471	1	FITTING, ADAPTER, STRAIGHT, 3/4 O-RING TO 3/4 JIC	
39	42006	1	FITTING, ADAPTER, STRAIGHT, 1/2 O-RING TO 1/2 JIC	
REV	DATE	BY		SHEET
K	06/15/2016	MPC		1 OF 2
TICO MANUFACTURING - RIDGELAND, SC 29936				

TICO PRO-SPOTTER				
S/N:		ASSEMBLY, HYADRULIC SYSTEM, 128" WHEEL BASE, 20 GPM		71918
ITEM	PART #	QTY/M	DESCRIPTION	
40	30148-1	2	CYLINDER, 5", 15" STROKE	
41	30187-12	2	PIN, UPPER	
42	82418	2	BOLT, HEX HEAD, 1/2-13 X 2 LONG	
43	85115	4	WASHER, 1/2-13	
44	85027	2	LOCKNUT, NYLON, 1/2-13	
45	40460	4	FITTING, ELBOW, 90°, 1/2 ORB TO 1/2 JIC	
46	62302	1	VALVE, DIRECTIONAL CONTROL	
47	62299	1	SPACER, BRACKET, DCV	
48	62082	1	MOUNT PLATE, VALVE	
49	82429	2	BOLT, HEX HEAD, 1/2-13 X 2 1/4 LONG	
50	85093	4	WASHER, 1/2-13	
51	85027	2	LOCKNUT, NYLON, 1/2-13	
52	41188	2	FITTING, ELBOW, 90°, SWIVEL, 1/2 ORB TO 5/8 JIC	
53	40472	2	FITTING, ELBOW, 90°, 1/8" NPT X #4 JIC	
54	10623	1	FITTING, ELBOW, 90°, 3/4 ORB TO 1" JIC (AT VALVE RETURN)	
55	10624	1	FITTING, ELBOW, 90°, 3/4 JIC TO 3/4 ORB (AT VALVE)	
56	80171	2	CAPSCREW, SOCKET HEAD, 3/8-16 X 2 LONG	
57	85113	2	WASHER, 3/8-16	
58	85025	2	LOCKNUT, NYLON, 3/8-16	
NS	41230	2	HOSE, TEE TO CYLINDER, EXTEND	
NS	41231	2	HOSE, TEE TO CYLINDER, RETRACT	
NS	50050	2	TEE, BULKHEAD, 5/8 JIC	
NS	50050-2	2	LOCKNUT, 7/8-14	
NS	12469	2	SPACER, 1", PIPE	
NS	41239	1	HOSE PUMP, VALVE, 3/4 DIAMETER X 73 1/2 HOSE X 77 5/8 OVERALL	
NS	61883	1	BRACKET, STANDOFF	
NS	82383	2	BOLT, 3/8-16 X 1 1/4 LONG	
NS	85091	4	WASHER, FLAT, 3/8-16	
NS	85025	2	LOCKNUT, NYLON, 3/8-16	
NS	41269	2	HOSE, 5/8 DIAMETER X 46 LONG (VALVE TO TEE)	
NS	41216	1	HOSE, 1" X 80 X 84 1/2 OVERALL (VALVE TO FILTER)	
NS	42073	2	FITTING, ADAPATER, STRAIGHT, 1/2 ORBM TO 1/2 ORBF	
NS	42083	1	TEE, #4 JIC	
NS	40320	2	HOSE ASSEMBLY, #4, STRAIGHT TO STRAIGHT, 28 1/4 OVERALL, TANK/TEE	
NS	41268	1	HOSE ASSEMBLY, #4, STRAIGHT TO 90°, 17 1/4 OVERALL, TEE/VALVE	
NS	40914	1	FITTING, ELBOW, 90°, 1/4" MJIC X 1/2" MNPT	
NS	62447	1	HARNES, BOOM ELEVATION CONTROL, MOMENTARY SWITCH	
REV	DATE	BY		SHEET
K	06/15/2016	MPC		2 OF 2