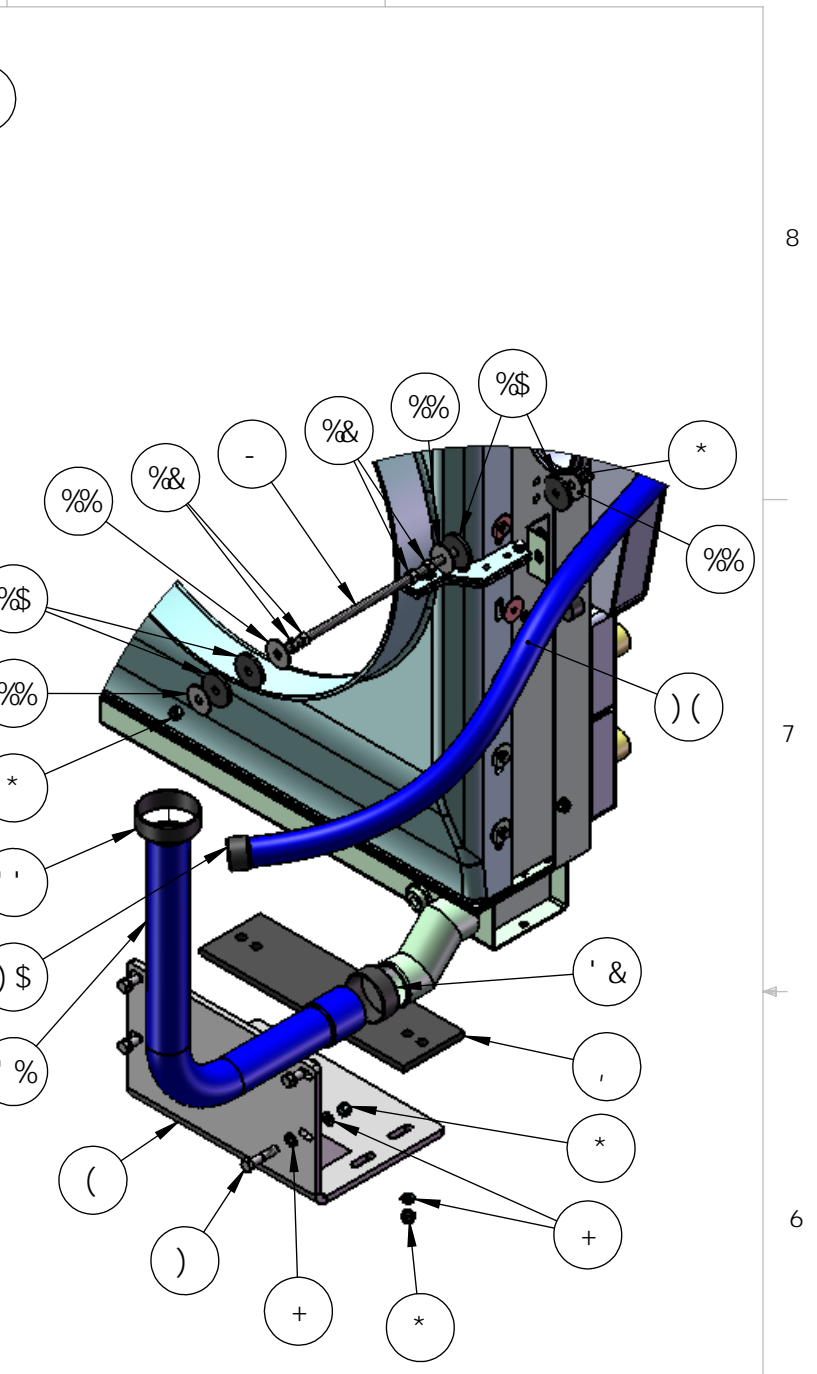
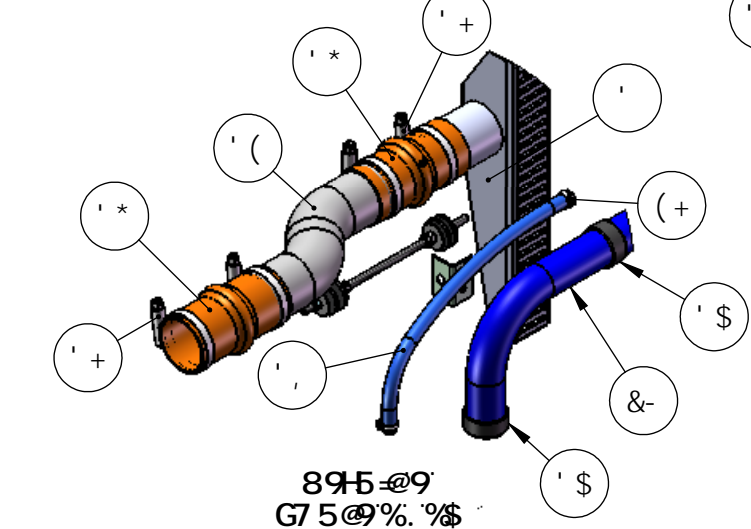
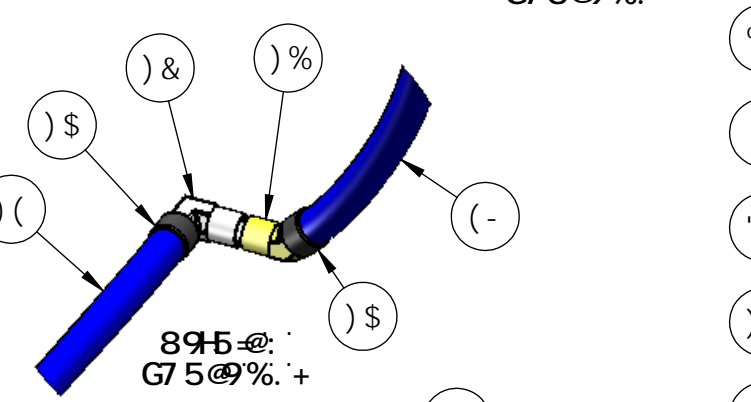
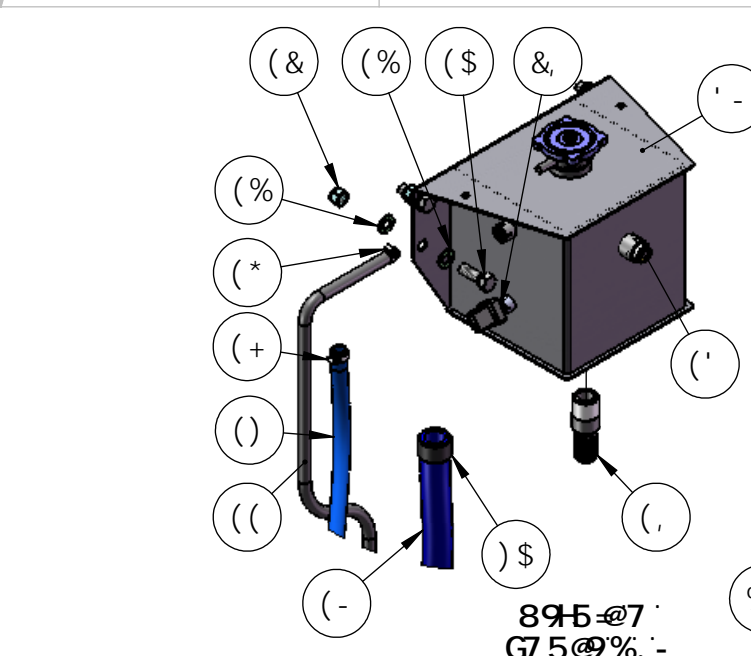
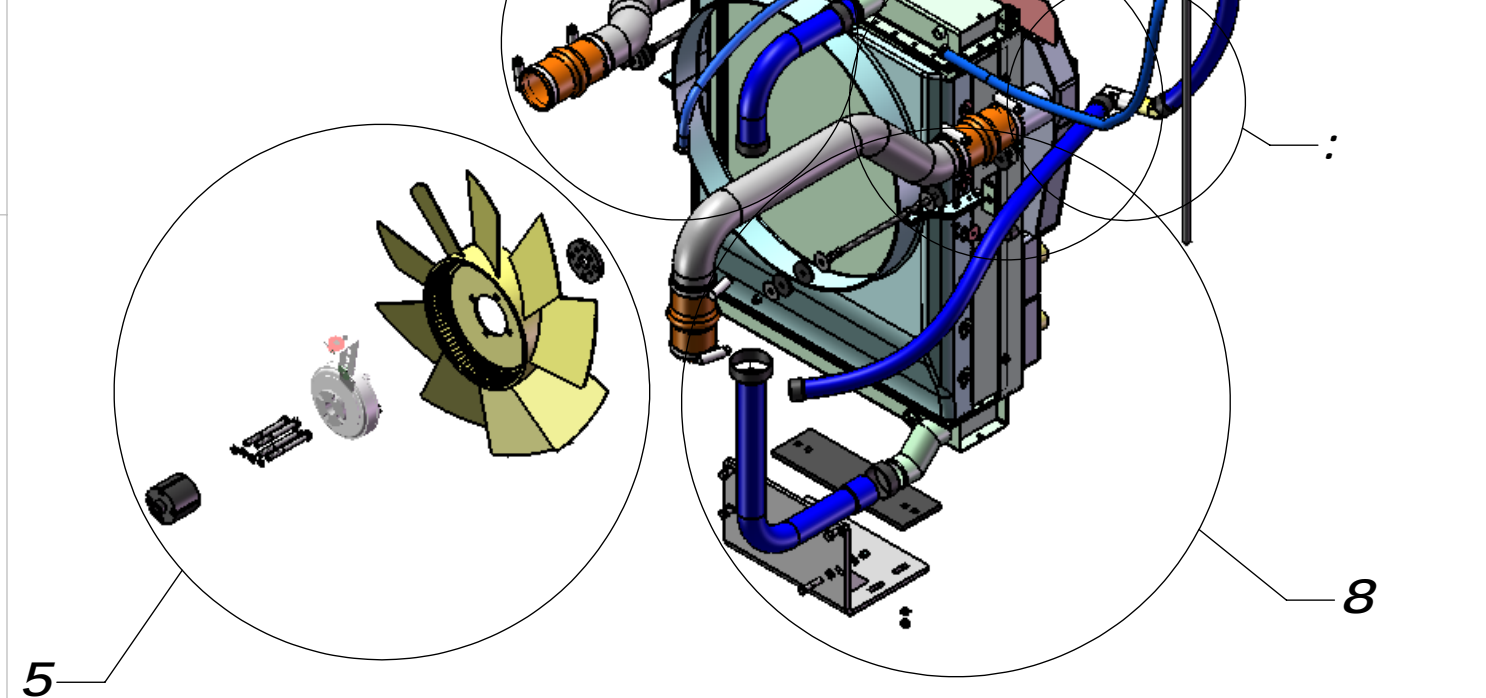
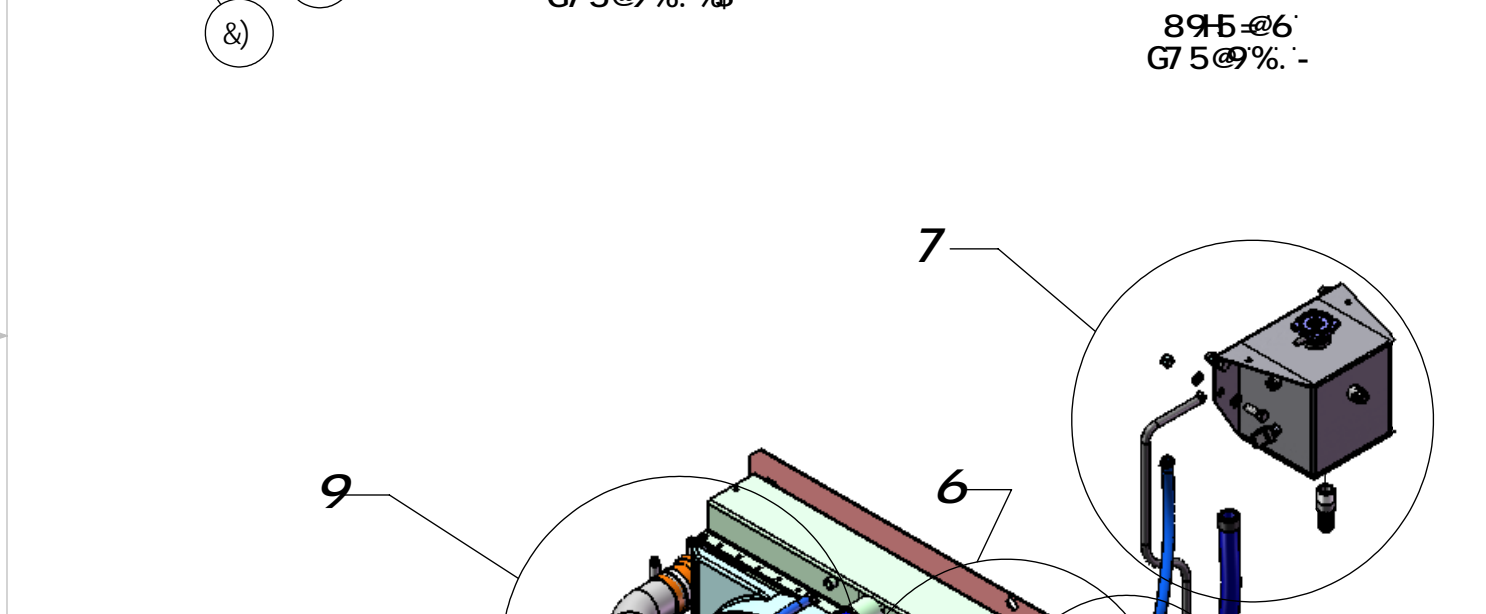
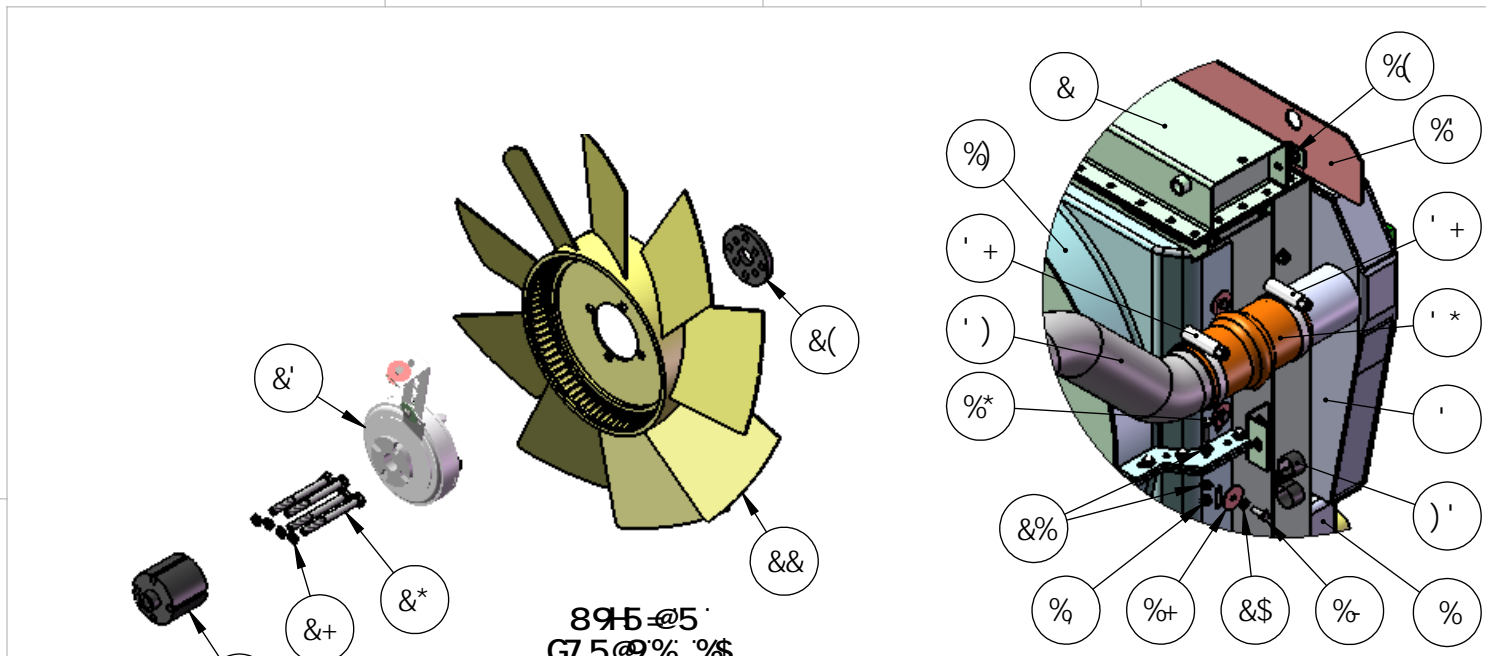



8

7

6

5



8 A 9B GC BG5F9-B-B7 <9G HC @F5B7 9G 897 A 5@	B5A 9	85H9	H7 C #9FA -B5@G9FJ = 9 ** 7 MDF9GGF-8; 98F" F-8; 9@B8ZG7' &--' * fl (' t'+%+!&&*
L'L'± '\$\$* L'LL'± '\$\$' L'LL'± '\$\$\$' 5B; 1 @F. ± '\$)' * : F57HC B5@'± '%# &'	8F5K B	@ \$%# \$#\$S%	TICO 
#HFFDF9H: 9CA 9FF-7 HC @F5B7-B; D9F: 5GA 9%()A 1%-(- A 5HFF 5@	7 <97?98		H#@.
:B-G<	5DDFCJ 98		7CC @B; 'GMGHA
H<-7B9GG	8C BCHG75@98F5K-B;		
	H<9G 6<97 HA 5HFF G<CK B 5BB' 89G7 F<98 -B H<G8F5K -B: 5B8 5BM C H<9F -B: C FA 5HC B 58J 5B7 98 -B' 7 C BB97 HC B H<9F 9K H<2G DFC DF 9B5FMDFC D9F H5B8 -GHC 69 <9@B -B GF-7 H7 CB: @9B7 96MMC 1" 5@F± <HC 5BMBJ 9BHC B G 89G: B Q2HF589A 5F?Q2HF589 B5A 9G5B8 7C DMF± <HG8-G7 @G98 5F9F9G9FJ 98 HC H7 C HFA -B5@ G9FJ-7 9Q2-B7"	GAP 8K ; "'BC"	F9J
		6	+%) , !8% 8%
		G75@%-%\$	G<99H%C : %

8

7

6

5

ENGINEERING P/L

S/N: COOLING SYSTEM - QSB CLUTCH FAN 71858

ITEM	PART #	QTY/M	DESCRIPTION	TASK
	71858-D1	REF	COOLING SYSTEM	
	61889		RADIATOR - ASS'Y	
1	61551-3	1	TRANSMISSION OIL COOLER	
2	61551-1	1	RADIATOR	
3	61551-4	1	CAC WITH A/C CONDENSER MOUNT BRACKETS	
4	61688	1	MOUNT - LOWER RADIATOR	
5	82405	6	BOLT, HEX, 3/8-16 x 1-3/4" LG	
6	85025	10	NUT, 3/8-16 NYLOCK	
7	85091	10	3/8" WASHER	
8	60732-1	1	RUBBER PAD	
9	61603	2	ROD, THREADED, 3/8-16 X 12" LG	
10	60857	8	RUBBER MOUNT, 3/8 ID X 1.75 OD	
11	80346	8	WASHER, FENDER, 3/8"	
12	85014	4	NUT, 3/8-16 JAM	
13	NOT APPLICABLE			
14	NOT APPLICABLE			
15	60988	1	FAN SHROUD	
16	82370	8	BOLT, HEX 1/4-20 X 1" LG	
17	80129	12	WASHER, FENDER, 1/4"	
18	85023	12	NUT-NYLOCK, 1/4	
19	82359	12	BOLT, HEX 1/4-20 X 3/4" LG	
20	85133	12	LOCKWASHER, 1/4"	
21	85089	16	WASHER, 1/4 HRDN	
22	60908	1	FAN, ENG 22", 9 BLADE	
23	60423	1	CLUTCH FAN ASSY	
24	NOT APPLICABLE			
25	NOT APPLICABLE			
26	80345	4	BOLT, M10 X 1.5 X 25mm - SERRATED FLANGE HCS	
27	NOT APPLICABLE			
28	60824	1	SENSOR FLUID LEVEL	
29	61958	1	HOSE, RADIATOR INLET SILICONE	
30	41258	2	CLAMP, THERMOPLASTIC, 2" O.D. THRU 2-1/4" O.D. (1-3/4" I.D.)	
REV	DATE	BY		SHEET
				1 OF 2

