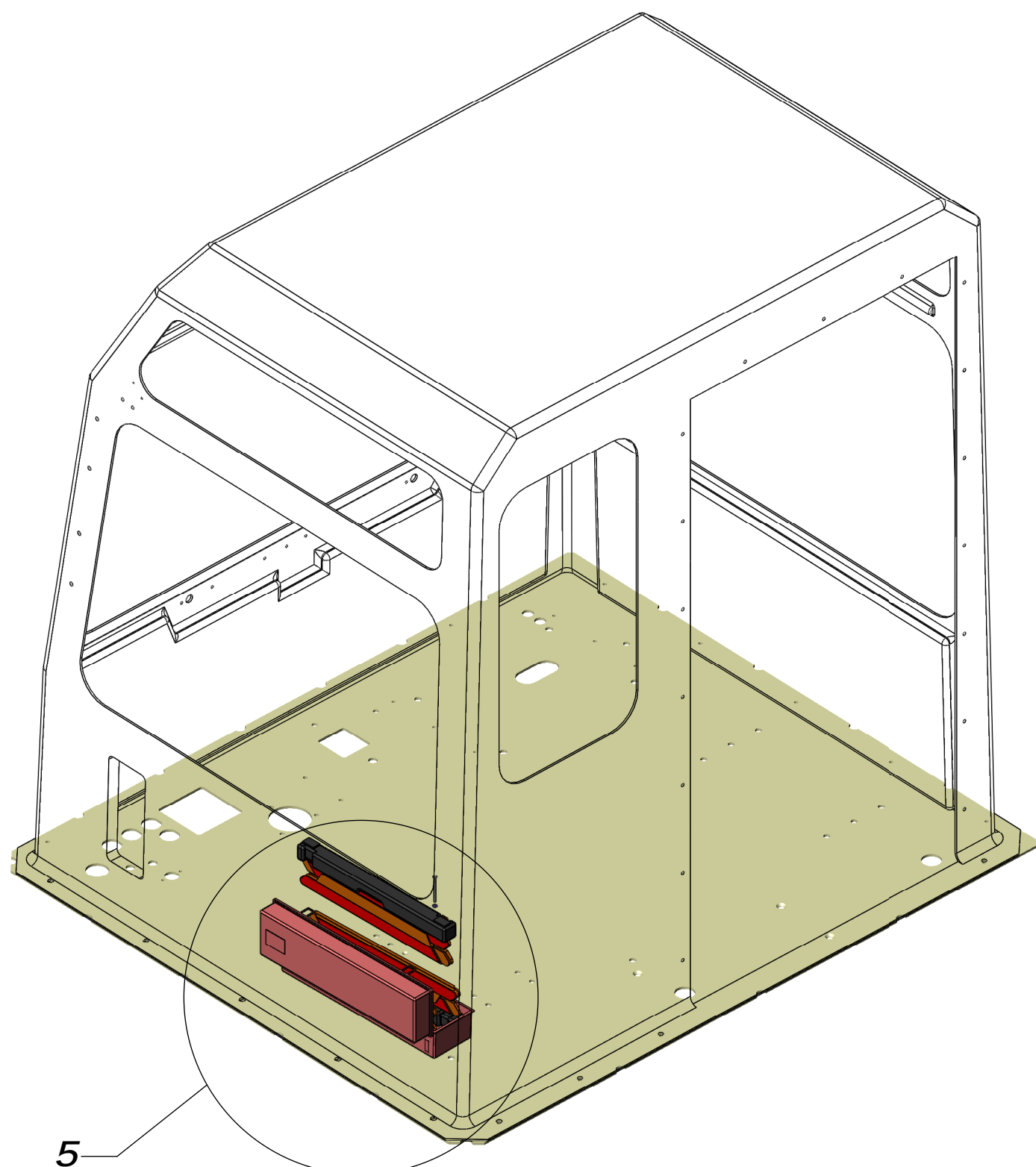
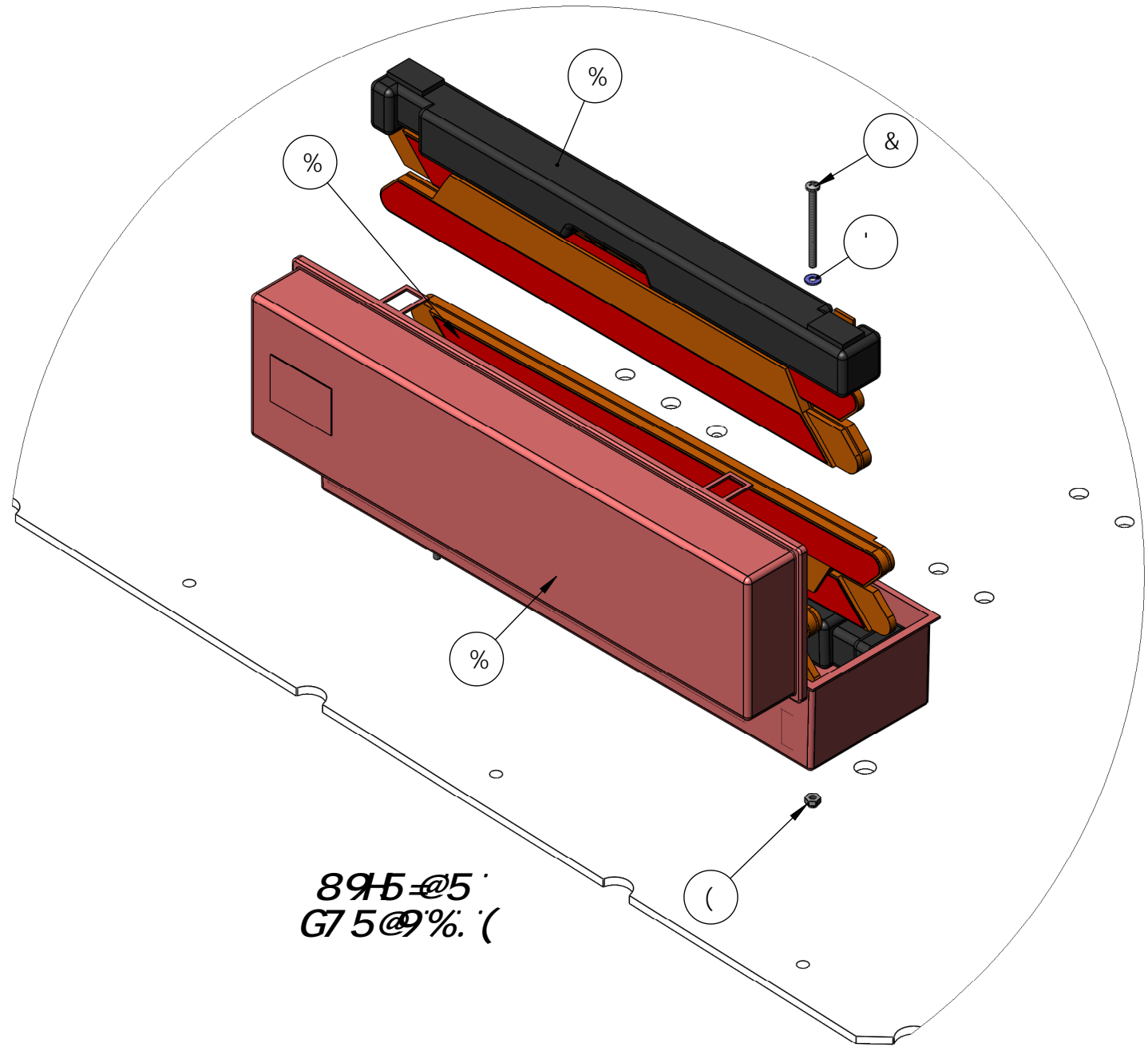



8  
7  
6  
5



5



895@5  
G75@9%.(

B A 9BGC BG5F9 B B7 <9G HC @F5B7 9G 897 A 5@	B5A 9	85H9		H7 C #9FA B5@G9FJ 7 9 **7 MDF9GGF 8: 98F" F-8: 9@B8ZG7 &- -" * fl (' t+%+!&&*
L'L' ± '\$\$' L'LL' ± '\$\$' L'LL' ± '\$\$\$' 5B: I @F. ± '\$)' ° : F57HC B5@ ± '\$' &'	8F5K B	FK 7		%&#&#&#&
#HDF9H: 9CA 9F7 HC @F5B7 B: D9F. 5GA 9%( )A 1% -( A 5HDF 5@	7 <97 ?98			H#@9.
: B-G<	5DDFC J 98			HF 5B; @9: @5F9?#H
Hk=7?B9GG	8C BCHG7 5@98F5K B:			GAD 8K ; ""BC"
		H:9G 6>97 HA 5HDF G<CK B 5BB 89G7 F 698 B H:G8F5K B: 5B8 5BM C H:9F B: C FA 5HC B 58J 5B7 98 B 7 C BB97 HC B H:9F 9K H:2G DFC DF 9B F M DFC D9F H M 5B8 GHC 69 <9@B B GF 7 H7 CB: 89B 7 96MMC 1" 5@F ± <HGC 5BMBJ 9BHC B G 89G: B Q2HF 589 A 5F? Q2HF 589 B5A 9G 5B8 7 C DMF ± <HGB G7 @C 998 5F9F 9G9F J 98 HC H7 C HFA B5@ G9F J 7 9Q2 B 7"		F9J
				6 - % (*!5% 5%
				G7 5@9. %%*
				G<99H% C : %

8  
7  
6  
5

