

8 7 6 5 4 3 2 1

D

D

C

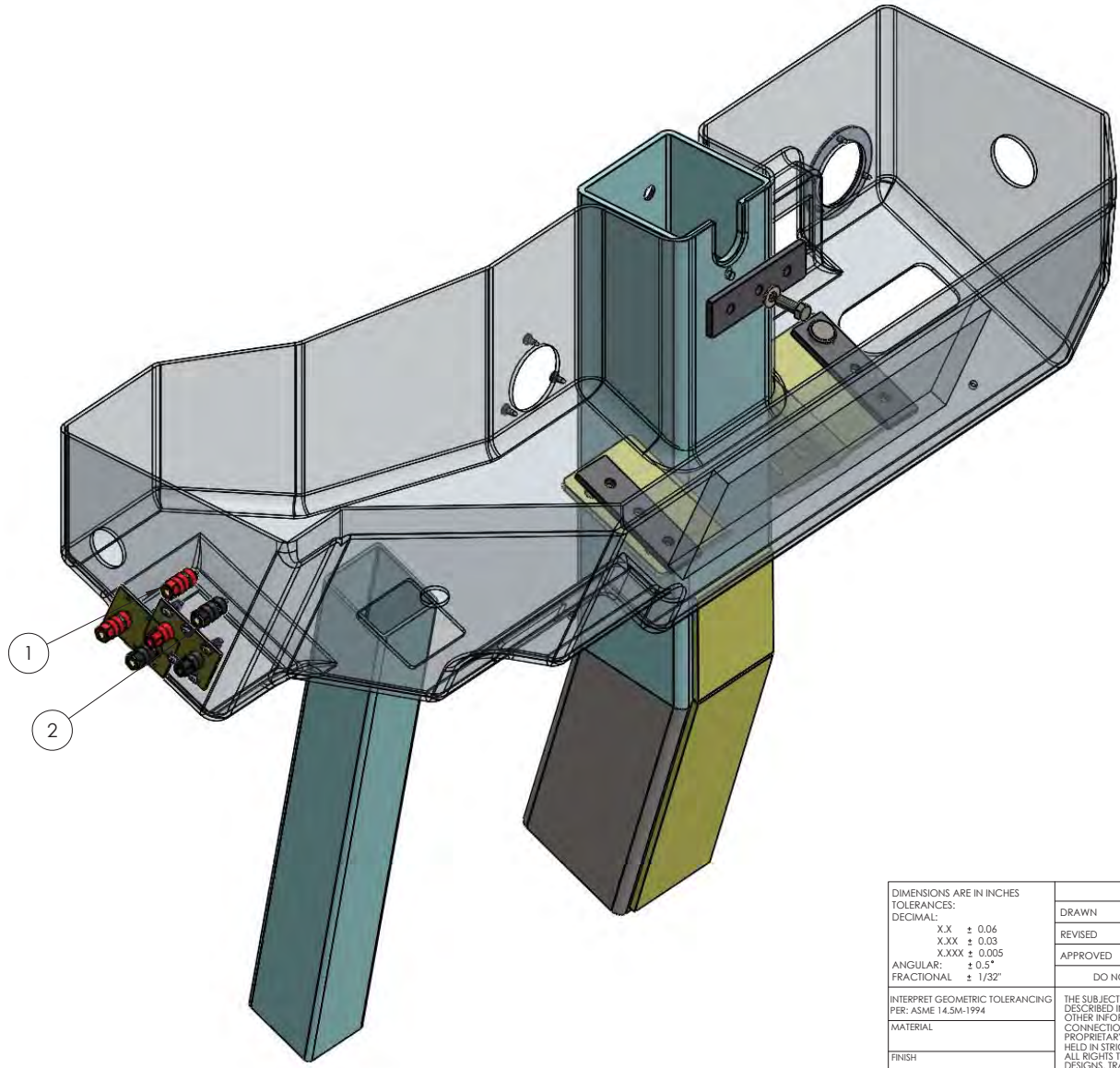
C

B


B

A

A



DIMENSIONS ARE IN INCHES		NAME	DATE
TOLERANCES:		DRAWN	SMB 3/28/2014
DECIMAL:		REVISED	DFM 2/3/20216
X.X ± 0.06		APPROVED	
X.XX ± 0.03		DO NOT SCALE DRAWING	
X.XXX ± 0.005		THE SUBJECT MATTER SHOWN AND DESCRIBED IN THIS DRAWING AND ANY OTHER INFORMATION ADVANCED IN CONNECTION THEREWITH, IS PROPRIETARY PROPERTY AND IS TO BE HELD IN STRICT CONFIDENCE BY YOU. ALL RIGHTS TO ANY INVENTIONS, DESIGNS, TRADE MARKS, TRADE NAMES AND COPYRIGHTS DISCLOSED ARE RESERVED TO TICO TERMINAL SERVICES, INC.	
ANGULAR: ± 0.5°			
FRACTIONAL: ± 1/32"			
INTERPRET GEOMETRIC TOLERANCING PER: ASME 14.5M-1994		TITLE:	
MATERIAL		TICO/TERMINAL SERVICE 66 CYPRESS RIDGE DR. RIDGELAND, SC 29936 (843) 717-2226	
FINISH			
THICKNESS			

 TICO/TERMINAL SERVICE 66 CYPRESS RIDGE DR. RIDGELAND, SC 29936 (843) 717-2226		
TITLE:		
<b>CAB AUXILIARY BATTERY IGNITION</b>		
SIZE	DWG. NO.	REV
<b>B</b>	71816-C1	

8 7 6 5 4 3 2 1

