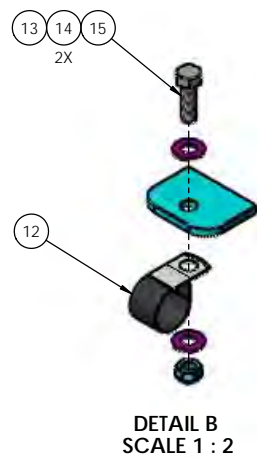
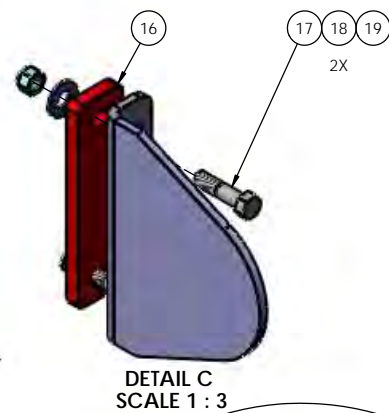


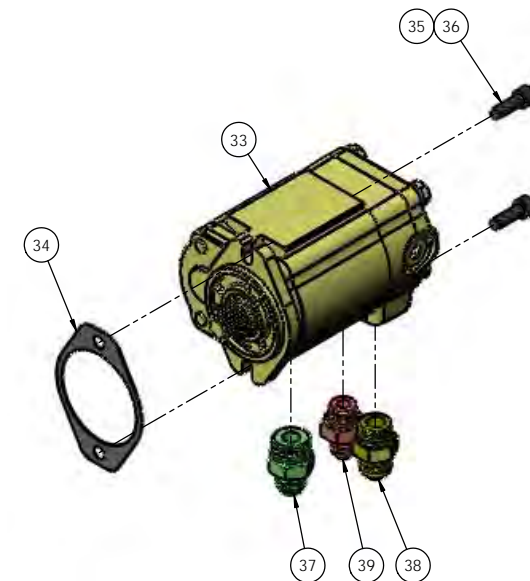
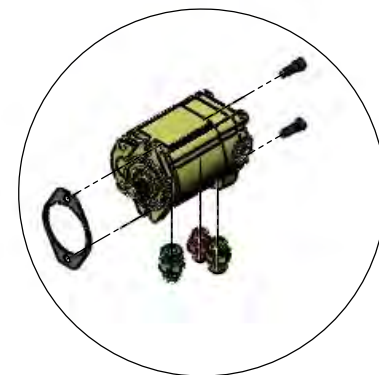
DETAIL A
SCALE 2 : 5.5



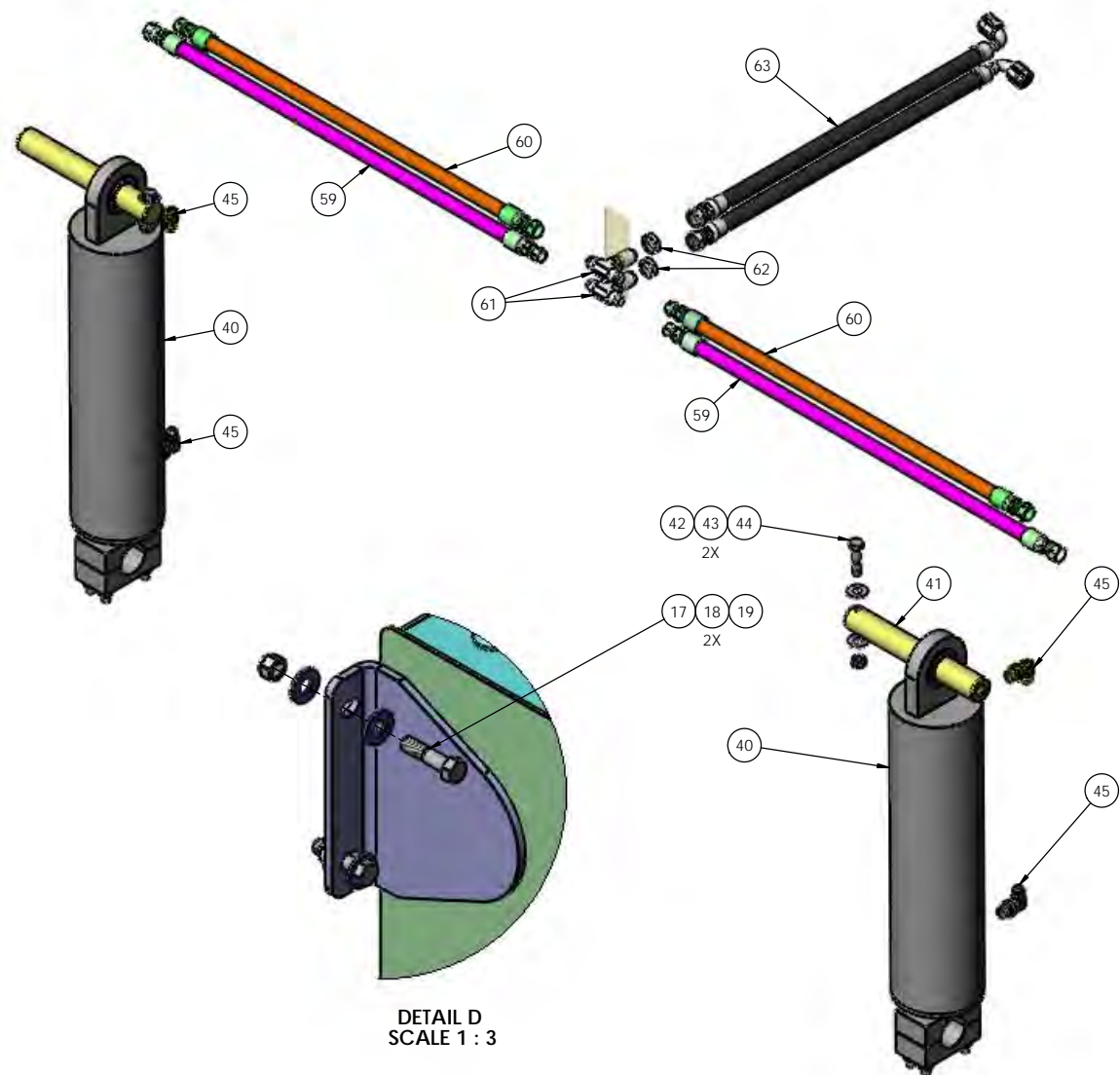
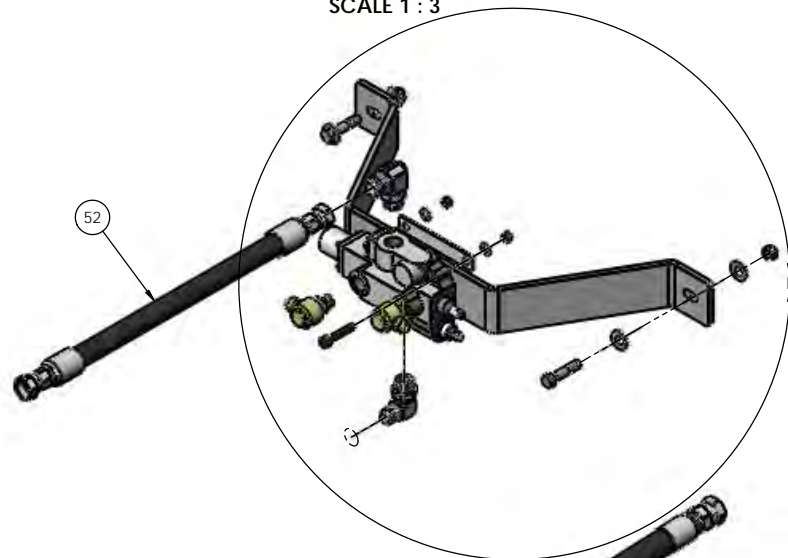
DETAIL B
SCALE 1 : 2



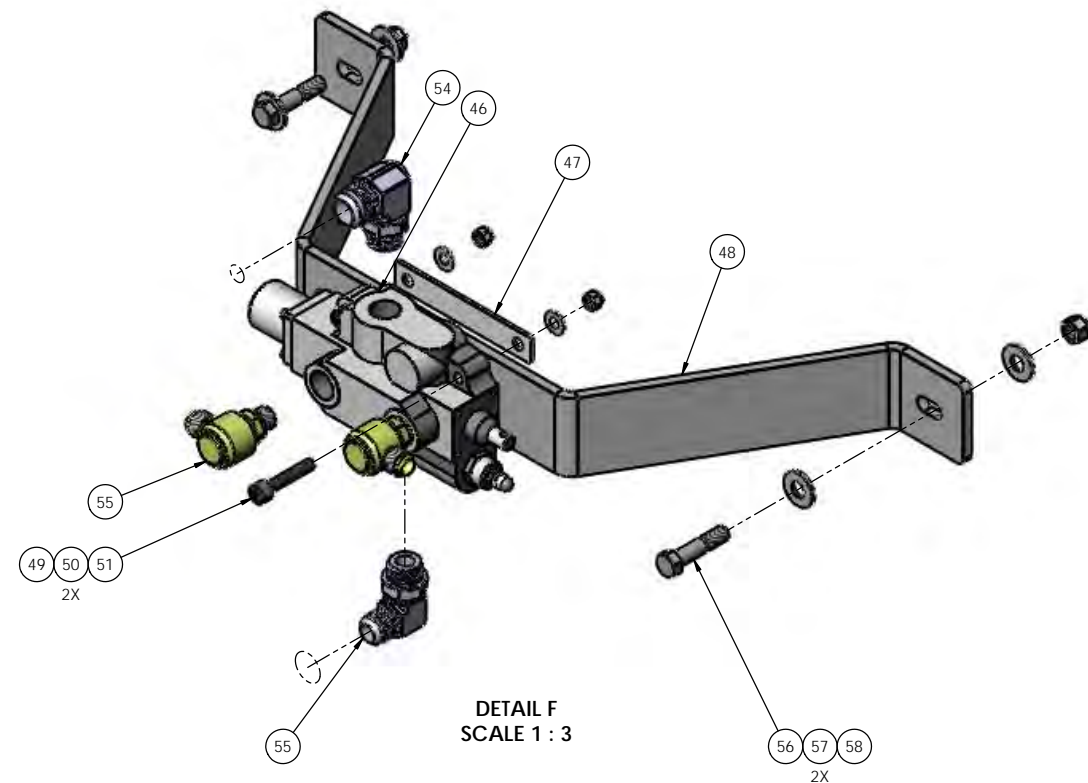
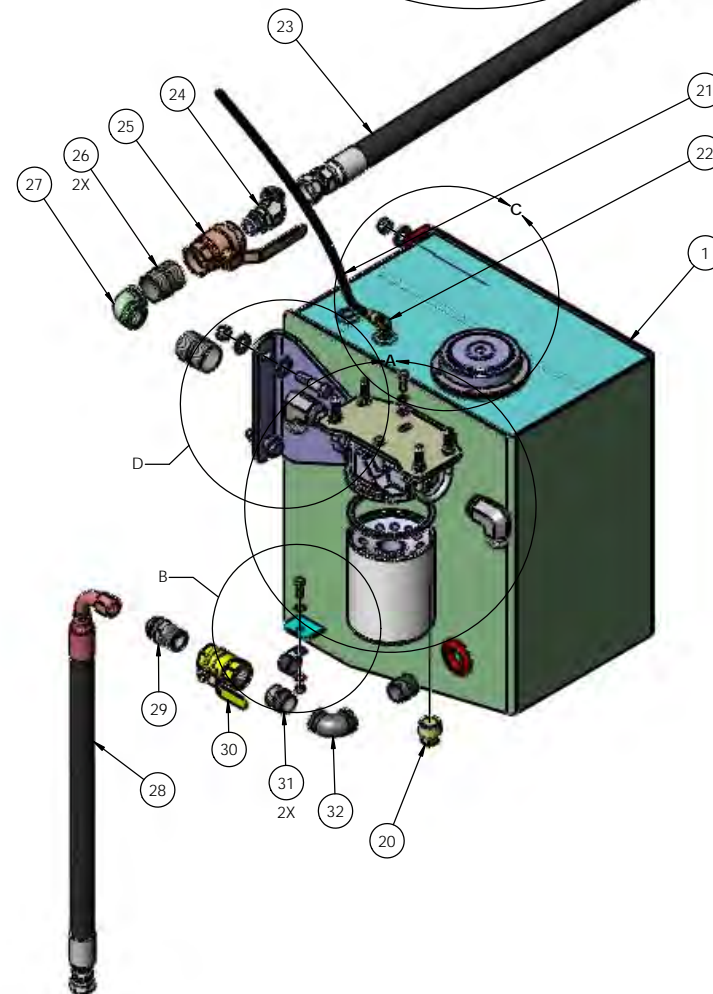
DETAIL C
SCALE 1 : 3



DETAIL E
SCALE 1 : 3



DETAIL D
SCALE 1 : 3



DETAIL F
SCALE 1 : 3

DIMENSIONS ARE IN INCHES TOLERANCES: DECIMAL XX ± 0.06 XXX ± 0.03 XXXX ± 0.005 ANGULAR FRACTIONAL ± 1/32"		NAME DFM MPC	DATE 08/11/2015 08/09/2016	TICO/TERMINAL SERVICE 44 CYPRESS RIDGE DR. RIDGELAND, SC 29936 (843) 717-2226
INTERPRET GEOMETRIC TOLERANCING PER: ASME Y14.5M 1994		DO NOT SCALE DRAWING		
MATERIAL		THE SUBJECT MATTER SHOWN AND DESCRIBED IN THIS DRAWING AND ANY OTHER INFORMATION ADVANCED IN CONNECTION THEREWITH IS PROPRIETARY PROPERTY AND IS TO BE HELD IN STRICT CONFIDENCE BY YOU. ALL RIGHTS TO ANY INVENTIONS, DESIGNS, TRADE MARKS, TRADE NAMES AND COPYRIGHTS DISCLOSED ARE RESERVED TO TICO TERMINAL SERVICES, INC.		TITLE: ASSEMBLY, HYDRAULIC SYSTEM CABLE
FINISH	THICKNESS	SIZE D	DWG. NO. 71808-N1	REV
				SHEET 1 OF 1

TICO PRO-SPOTTER				
S/N:		ASSEMBLY, HYDRAULIC SYSTEM, CABLE		71808
ITEM	PART #	QTY/M	DESCRIPTION	
	71808-N1	REF	ASSEMBLY, HYDRAULIC SYSTEM, CABLE	
1	42098	1	TANK, HYDRAULIC, 11 GALLON	
2	60556-1	1	FILTER	
3	1026037	1	SEAL	
4	60556-2	1	FILTER HEAD	
5	40963	2	FITTING, ELBOW, 90°, STEEL, 1-1/4 PIPE TO 1 JIC (AT FILTER)	
6	20100	2	U-BOLT, 3/8 DIAMETER X 2 ID X 3-5/8 OVERALL	
7	85091	4	WASHER, FLAT, 3/8	
8	85025	4	LOCKNUT, NYLON, 3/8-16	
9	82371	2	BOLT, HEX HEAD, 5/16-18 X 1 LONG (FILTER TO TANK)	
10	85090	2	WASHER, FLAT, 5/16	
11	85134	2	LOCKWASHER, 5/16	
12	40593	1	P-CLAMP, 1"	
13	82371	1	BOLT, HEX HEAD, 5/16-18 X 1 LONG	
14	85090	2	WASHER, FLAT, 5/16	
15	85024	1	LOCKNUT, NYLON, 5/16-18	
16	30174	1	SPACER, HYDRAULIC TANK	
17	82418	4	BOLT, HEX HEAD, 1/2-13 X 2 LONG	
18	85093	8	WASHER, FLAT, 1/2	
19	85027	4	LOCKNUT, NYLON, 1/2-13	
20	40841	3	PIPE PLUG, SOCKET HEX HEAD, 3/8" NPT	
21	11004	3 FT	TUBING, NYLON, AIR BRAKE, BLACK, 3/8 DIAMETER	
22	40823	1	FITTING, ELBOW, 90°, 3/8 TUBE TO 3/8 NPT (AT TANK TOP)	
23	41278	1	HOSE, SUCTION, 1-1/4 DIAMETER X 85-1/2 HOSE X 90-3/4 OVERALL	
NOT SHOWN	12469	2	SPACER, PIPE, 1" LONG	
24	40984	1	FITTING, ELBOW, 45°, STEEL, 1-1/4 NPT TO 1-1/4 JIC	
25	40218	1	BALL VALVE, 1-1/4 NPTF	
26	40806	2	FITTING, NIPPLE, CLOSE STEEL, 1-1/4 NPT (AT TANK)	
27	40805	1	FITTING, ELBOW, STREET, 90°, 1-1/4 NPTF TO 1-1/4 NPTF	
28	41218	1	HOSE, 1 X 25 HOSE X 30-1/16 OVERALL (FILTER TO TANK)	
29	40961	1	ADAPATER, STRAIGHT, STEEL, 1" PIPE TO 1" JIC (AT SHUT-OFF)	
30	40146	1	VALVE, SHUT-OFF, 1"	
31	41120	2	FITTING, NIPPLE, CLOSE STEEL, 1" NPT (AT SHUT-OFF & TANK)	
32	41119	1	FITTING, ELBOW, STREET, 90°, STEEL, 1" NPTF X 1" NPTF	
REV	DATE	BY		SHEET
N	08/09/2016	MPC		1 OF 2

TICO MANUFACTURING - RIDGELAND, SC 29936

TICO PRO-SPOTTER				
S/N:		ASSEMBLY, HYDRAULIC SYSTEM, CABLE		71808
ITEM	PART #	QTY/M	DESCRIPTION	
33	61962	1	PUMP, 20 GPM, STEER PRIORITY	
34	60212	1	GASKET	
35	80175	2	BOLT, SOCKET HEAD, 10 MM X 1-1/2 X 30 MM LONG	
36	85091	2	WASHER, FLAT, 3/8	
37	42019	1	ADAPTER, STRAIGHT, STEEL, 1" ORB TO 1-1/4 JIC (PUMP SUCTION)	
38	40471	1	ADAPTER, STRAIGHT, STEEL, 3/4 O-RING TO 3/4 JIC	
39	42006	1	ADAPTER, STRAIGHT, STEEL, 1/2 O-RING TO 1/2 JIC	
40	30148-1	2	CYLINDER, 5", 15" STROKE	
41	30187-12	2	PIN, UPPER	
42	82418	2	BOLT, HEX HEAD, 1/2-13 X 2 LONG	
43	85093	4	WASHER, FLAT, 1/2	
44	85027	2	LOCKNUT, NYLON, 1/2-13	
45	40460	4	FITTING, ELBOW, 90°, STEEL, 1/2 ORB TO 1/2 JIC	
46	60555-SB	1	VALVE, DIRECTIONAL CONTROL	
47	62299	1	SPACER, BRACKET, DCV	
48	61758-3	1	MOUNT PLATE, VALVE	
49	82429	2	BOLT, HEX HEAD, 1/2-13 X 2-1/4 LONG	
50	85093	4	WASHER, FLAT, 1/2	
51	85027	2	LOCKNUT, NYLON, 1/2-13	
52	40748	1	HOSE, 1" DIAMETER X 64 HOSE X 68-1/2 OVERALL (VALVE TO FILTER)	
NOT SHOWN	41239	1	HOSE PUMP, VALVE, 3/4 DIAMETER X 73-1/2 HOSE X 77 5/8 OVERALL	
NOT SHOWN	61883	1	BRACKET, STANDOFF	
NOT SHOWN	82383	4	BOLT, 3/8-16 X 1-1/4 LONG	
NOT SHOWN	85091	8	WASHER, FLAT, 3/8	
NOT SHOWN	85025	4	LOCKNUT, NYLON, 3/8-16	
53	41187	2	FITTING, ELBOW, 90°, STEEL, SWIVEL, 3/4 ORB TO 5/8 JIC	
54	10623	1	ELBOW, 90°, 3/4 ORB TO 1" JIC (AT VALVE RETURN)	
55	10624	1	FITTING, ELBOW, 90°, STEEL, 3/4 JIC TO 3/4 ORB (AT VALVE)	
56	80171	2	CAPSCREW, SOCKET HEAD, 3/8-16 X 2 LONG	
57	85091	4	WASHER, FLAT, 3/8	
58	85025	2	LOCKNUT, NYLON, 3/8-16	
59	41230	2	HOSE, TEE TO CYLINDER, EXTEND	
60	41231	2	HOSE, TEE TO CYLINDER, RETRACT	
61	50050	2	TEE, BULKHEAD, 5/8 JIC	
62	50050-1	4	ADAPTER, 5/8 JIC TO 1/2 JIC	
63	42275	2	HOSE, 5/8 DIAMETER X 52-1/8 LONG (VALVE TO TEE)	
NOT SHOWN	50050-2	2	LOCKNUT, 7/8-14	
REV	DATE	BY		SHEET
N	08/09/2016	MPC		2 OF 2
TICO MANUFACTURING - RIDGELAND, SC 29936				