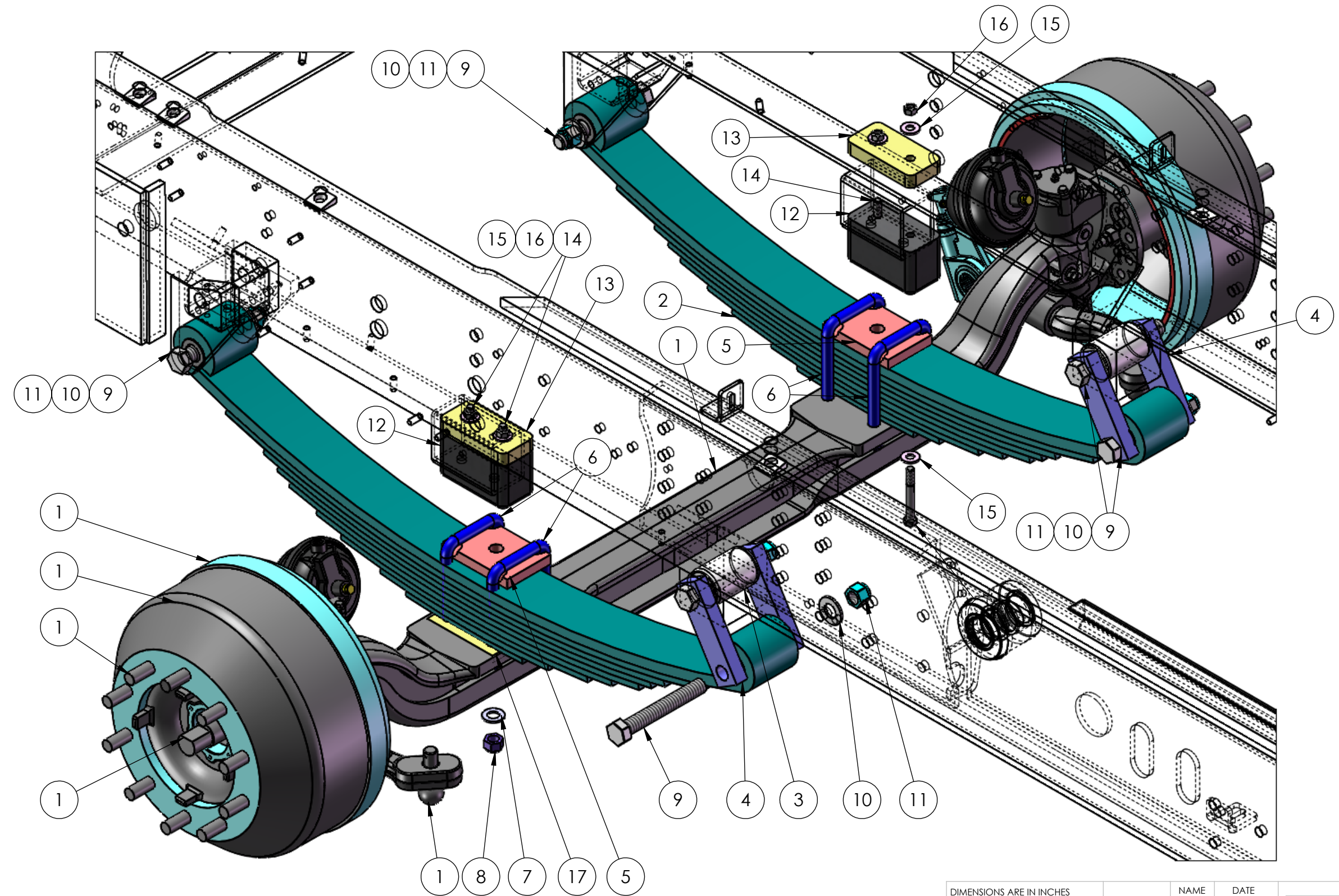


8 7 6 5 4 3 2 1

D
C
B
A

D
C
B
A



DIMENSIONS ARE IN INCHES
 TOLERANCES:
 DECIMAL:
 X.X ± 0.06
 X.XX ± 0.03
 X.XXX ± 0.005
 ANGULAR:
 ± 0.5°
 FRACTIONAL ± 1/32"

INTERPRET GEOMETRIC TOLERANCING PER: ASME 14.5M-1994

MATERIAL

FINISH

THICKNESS

	NAME	DATE
DRAWN	DFM	07/29/2015
CHECKED		
APPROVED		



TICO/TERMINAL SERVICE
 66 CYPRESS RIDGE DR.
 RIDGELAND, SC 29936
 (843) 717-2226

TITLE:
ASSEMBLY, AXLE, FRONT, STEER

SIZE	DWG. NO.	REV
B	71807-B1	B1

SCALE: 1:6 SHEET 1 OF 1

8 7 6 5 4 3 2 1

TICO PRO-SPOTTER

S/N: AXLE FRT STEER FF961, 69" KP 285mm, 6 LEAF SPRING **71807**

ITEM	PART #	QTY/M	DESCRIPTION	TASK
	71807-B1	REF	ASSEMBLY, AXLE, FRONT, STEER	
1	12110	1	AXLE, STEER, FF961, 285 MM, 69" KP, AUTO SLACKS	
	12425	1	KIT, SPRING ASSEMBLY	
	12425-6	2	ASSEMBLY, SPRING	
2	12425-1	2	SPRING, LEAF, FRONT	
3	12425-2	2	BUSHING, RUBBER	
4	12425-3	4	SHACKLE BAR, 5-1/2" CENTERS	
5	12425-4	2	PLATE, TOP CLAMP	
6	12425-5	4	U-BOLT	
7	85095	8	WASHER, 3/4, FLAT HARD,	
8	80365	8	NUT, NYLOCK, 3/4-16	
9	80364	6	BOLT, HEX, 1-8 UNC X 7-1/4 LG, GRD 8	
10	85097	6	WASHER, 1", NARROW HARD	
11	85031	6	NUT, 1-8 NYLOCK	
12	30046	2	PAD, BUMPER	
13	20148	2	SPACER, PAD, BUMPER	
14	82506	4	BOLT, HEX, 1/2-13 X 4 LG	
15	85115	8	WASHER, FLAT, 1/2	
16	85038	4	LOCKNUT, NYLOCK, 1/2-13, GRD 8	
	10677	REF	BRAKE CHAMBER FRONT	
	12155	REF	SLACK ADJUSTER, AUTOMATIC, 1.5, 28 SPLINE, 5" OR 6"	
17	12504	1	SPACER - (LH SPRING ONLY)	

REV	DATE	BY	SHEET
			1 of 1