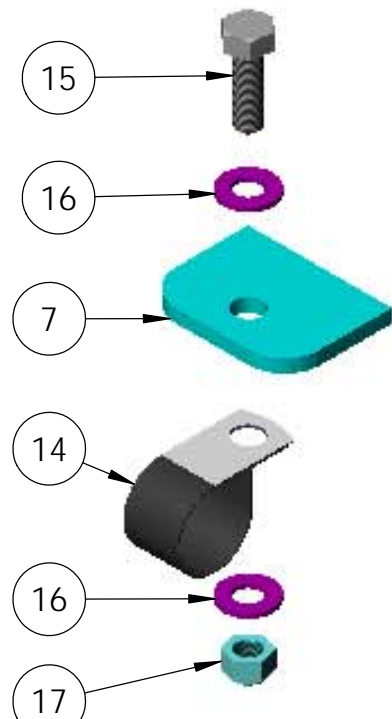
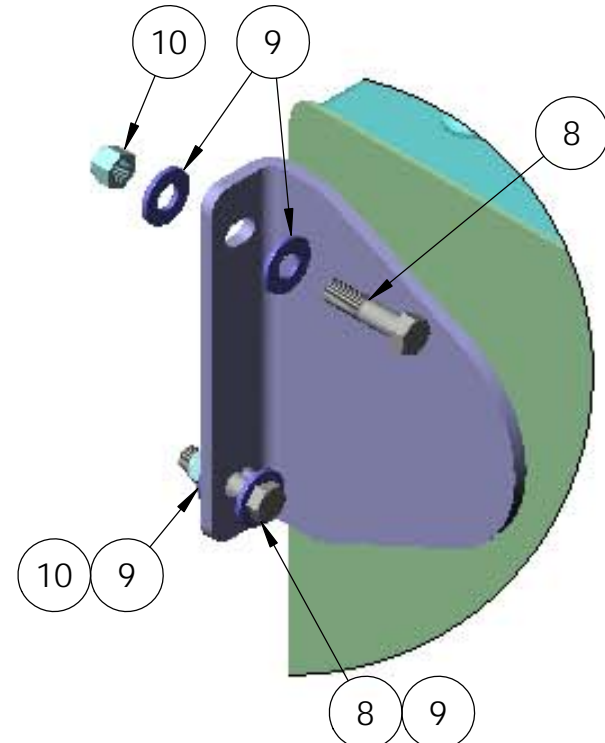


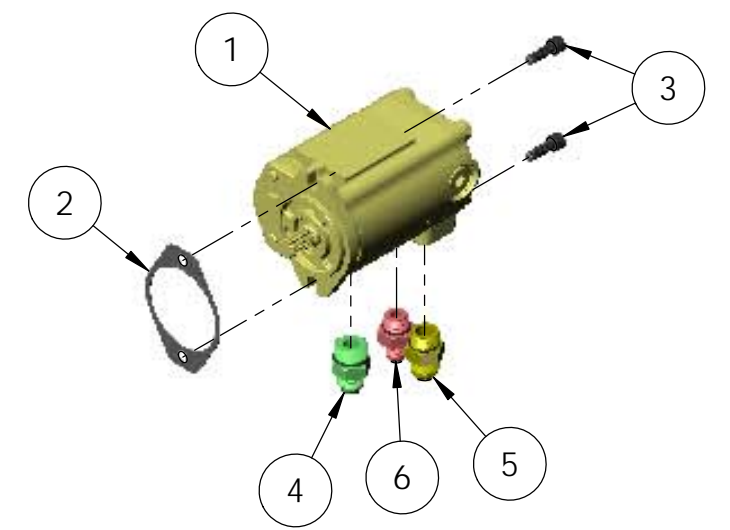
DETAIL A
SCALE 1 : 1



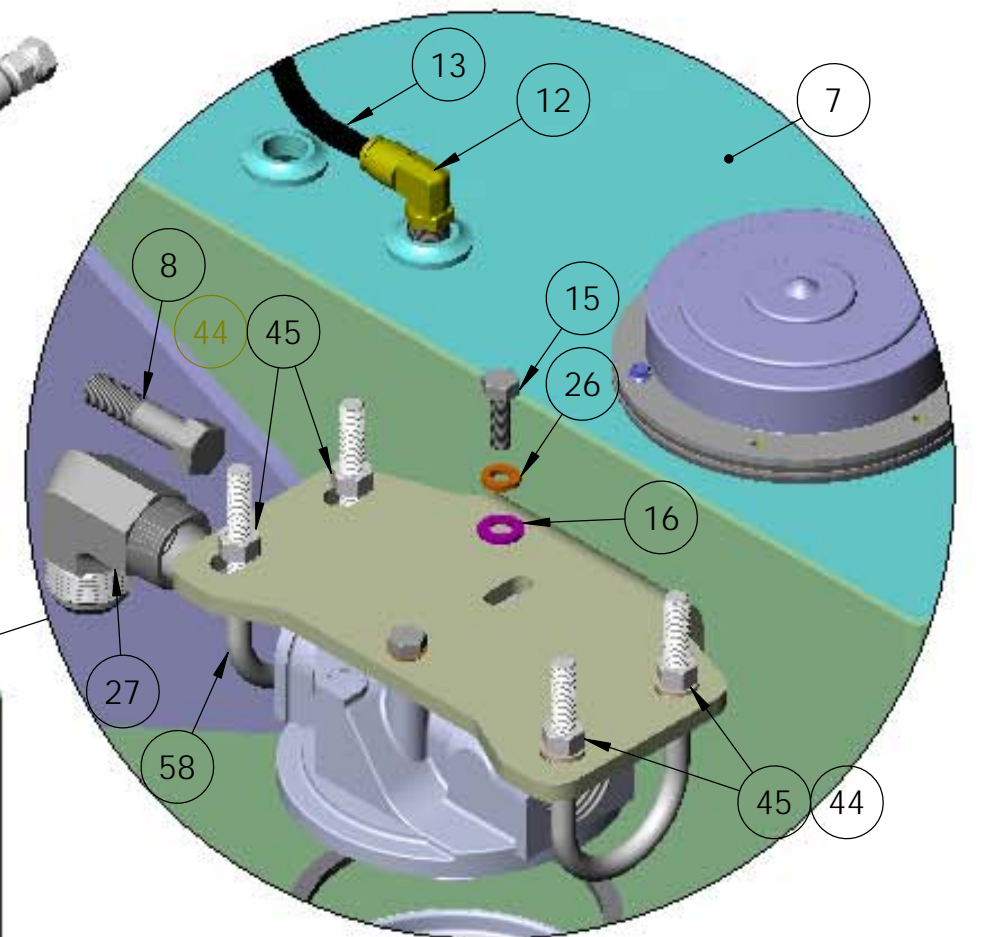
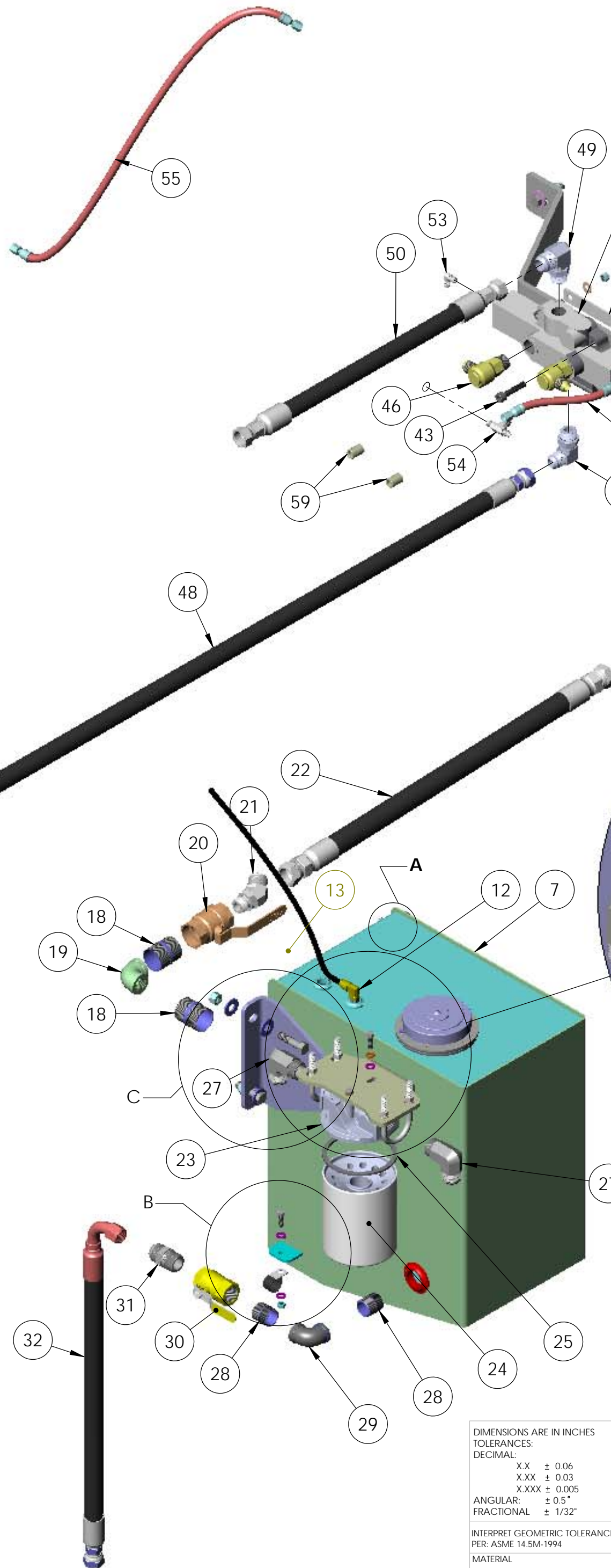
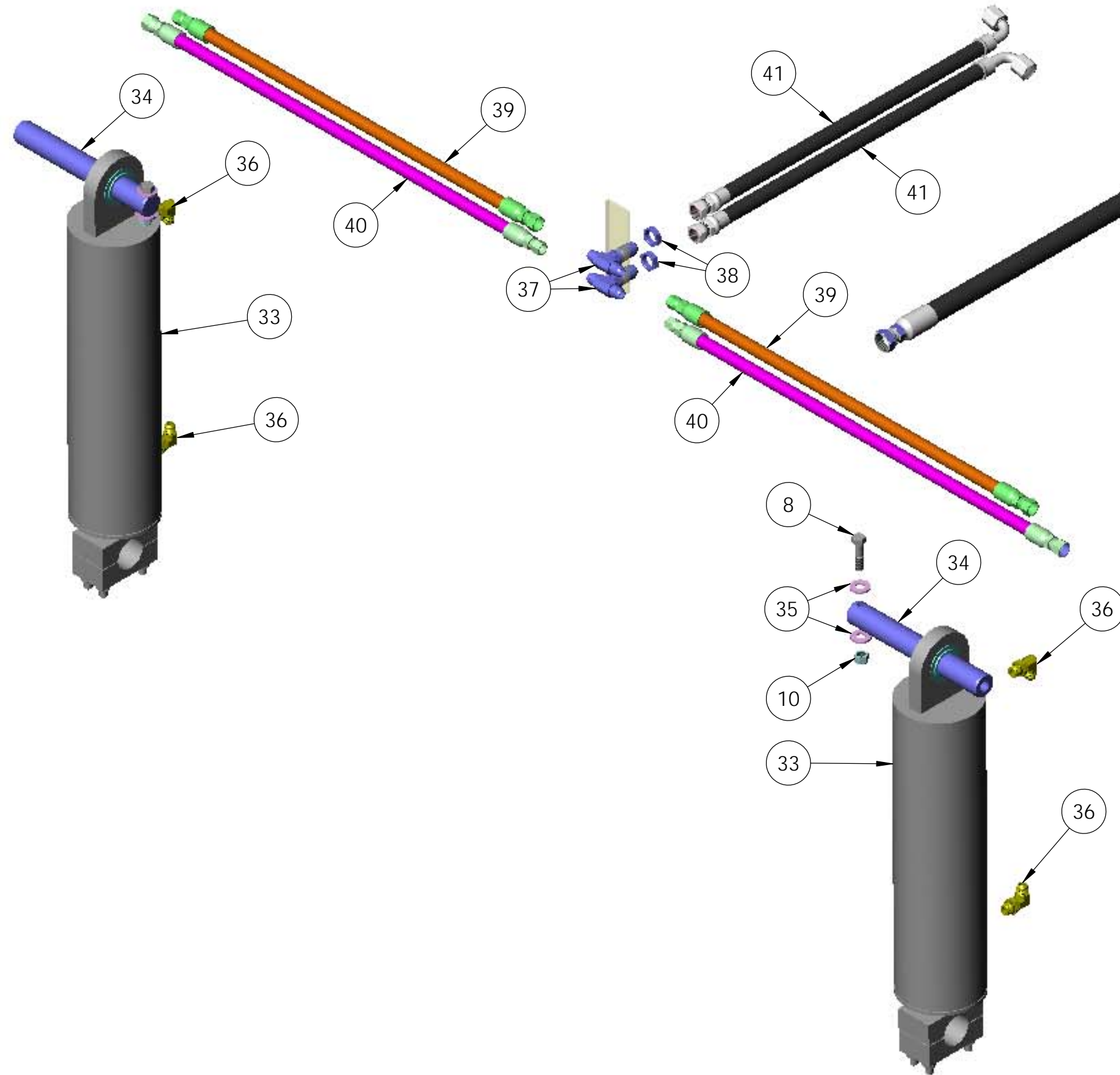
DETAIL B
SCALE 1 : 2



DETAIL C
SCALE 1 : 4



DETAIL D
SCALE 1 : 3



DIMENSIONS ARE IN INCHES		NAME	DATE	TICO/TERMINAL SERVICE 66 CYPRESS RIDGE DR. RIDGELAND, SC 29936 (843) 717-2226
TOLERANCES:		DRAWN	JK 9/26/2013	
DECIMAL:		CHECKED		
X.X ± 0.06		APPROVED		TITLE:
X.XX ± 0.03		DO NOT SCALE DRAWING		HYDRAULIC SYSTEM
X.XXX ± 0.005				SIZE DWG. NO.
ANGULAR:				C 72194-B1
± 0.5°				REV
FRACTIONAL				SCALE: 1:6 SHEET 1 OF 1
± 1/32"				
INTERPRET GEOMETRIC TOLERANCING PER: ASME 14.5M-1994				
MATERIAL				
FINISH				
THICKNESS				

TICO PRO-SPOTTER

S/N: HYDRAULIC SYSTEM - ELECTRONIC CONTROL- 20 GPM - 42098 TANK **71806**

ITEM	PART #	QTY/M	DESCRIPTION	TASK
	72194-B1	REF	HYD SYSTEM - ELECTRONIC CONTROL	
1	61962	1	PUMP, 20 GPM, STEER PRIORITY	
2	60212	1	GASKET, PUMP	
3	80175	2	BOLT, SOC HD, M10 X 1.5 X 30 MM LG, AT PUMP	
4	42019	1	ADAPTER, STR, 1" ORB TO 1 1/4 JIC, PUMP SUCTION	
5	40471	1	ADAPTER, STR, 3/4" O-RING X 3/4" JIC	
6	42006	1	ADAPTER, STR, 1/2" O-RING X 1/2" JIC	
7	42098	1	TANK, HYDRAULIC	
8	82418	6	BOLT, HEX, 1/2-13 X 2 LG	
9	85104	8	WASHER, FLAT, 1/2"	
10	85027	4	NUT, NYLOCK, 1/2-13	
11	30174	1	SPACER, HYDRAULIC TANK	
12	40823	1	ELBOW, 90°, 3/8" TUBE X 3/8" NPT	
13	11004	3 FT	TUBING, NYLON, 3/8" DIA, AIR BRAKE, BLACK	
14	40593	1	P-CLAMP	
15	82371	3	BOLT, HEX, 5/16-18 X 1" LG	
16	85112	4	WASHER, FLAT, 5/16"	
17	85024	1	NUT, NYLOCK, 5/16-18	
18	40816	2	NIPPLE, CLOSE, 1 1/4" NPT	
19	40805	1	ELBOW, 90°, STREET, 1 1/4" FEM TO 1 1/4" FEM	
20	40218	1	VALVE, BALL, 1 1/4" NPT	
21	40984	1	ELBOW, 45°, 1 1/4" JIC X 1 1/4" NPT	
22	41278	1	HOSE ASS'Y, 1 1/4" X 85 1/2" HOSE, 90 3/4" OAL, TANK TO PUMP	
23	60556-2	1	FILTER HEAD	
24	60556-1	1	FILTER	
25	1026037	1	SEAL	
26	85134	2	LOCKWASHER, 5/16"	
27	40933	2	ELBOW, 90°, 1-1/4" PIPE X 1" JIC	
28	41120	2	NIPPLE, CLOSE, 1" NPT	
29	41119	1	ELBOW, 90°, STREET, 1" FEM PIPE, BOTH ENDS	
30	40146	1	VALVE, SHUT-OFF, 1"	
31	40961	1	ADAPTER, STR, 1" PIPE X 1" JIC	
32	41218	1	HOSE ASS'Y, 1" X 25" HOSE, 30 1/16" OAL, FILTER TO TANK	

REV	DATE	BY	SHEET
			1 OF 2

