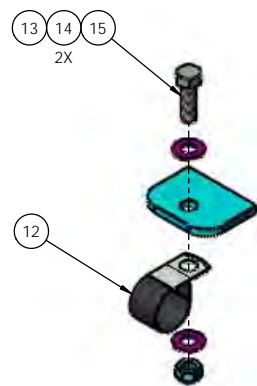
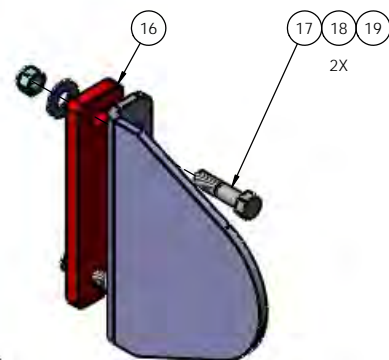


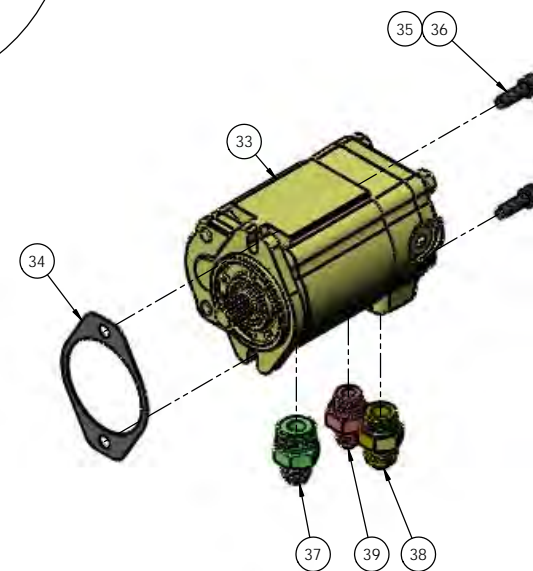
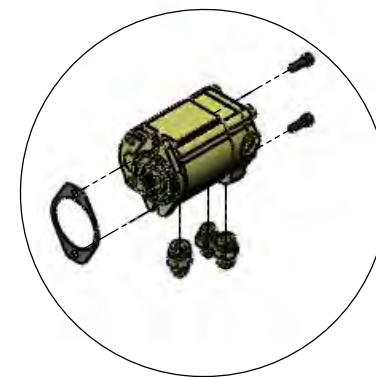
DETAIL A  
SCALE 2 : 5.5



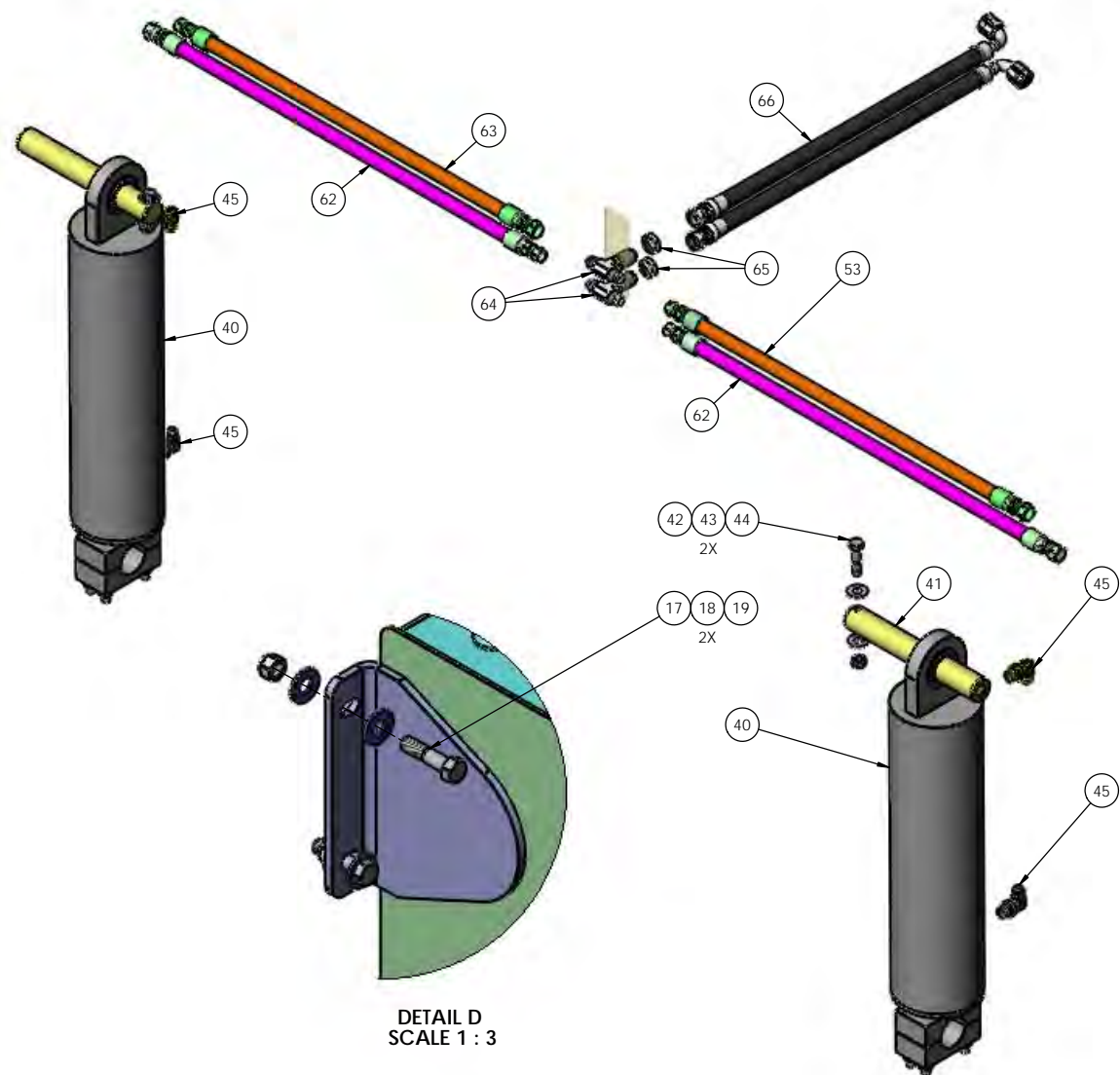
DETAIL B  
SCALE 1 : 2



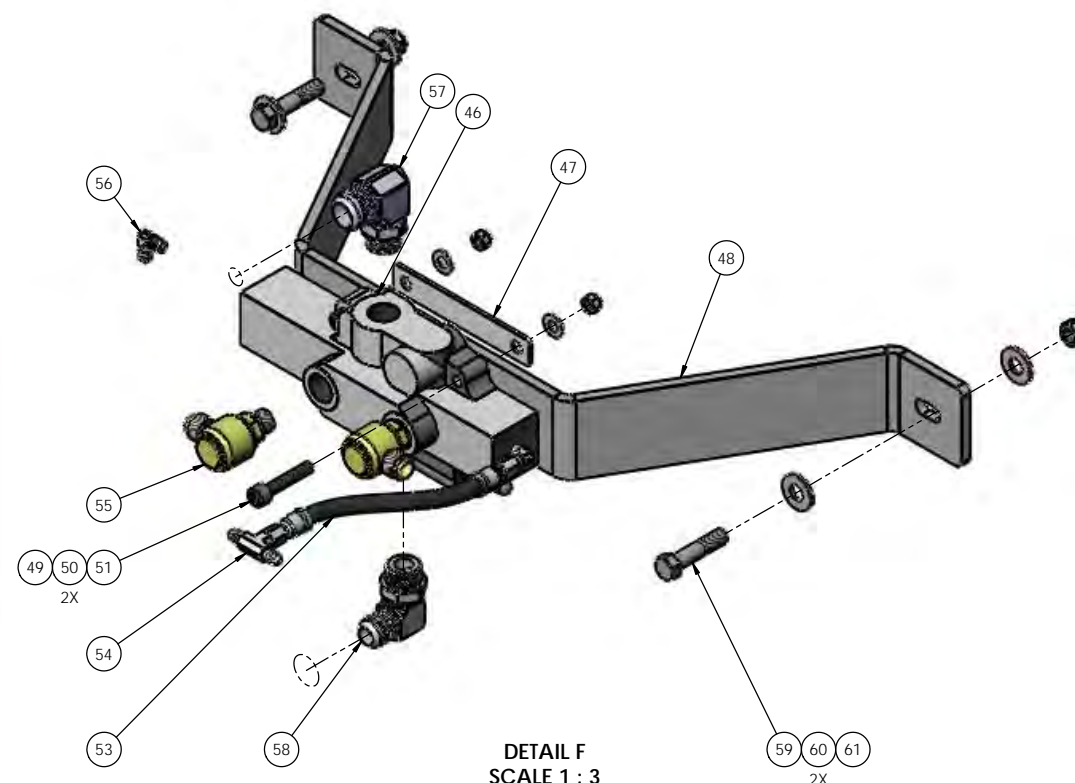
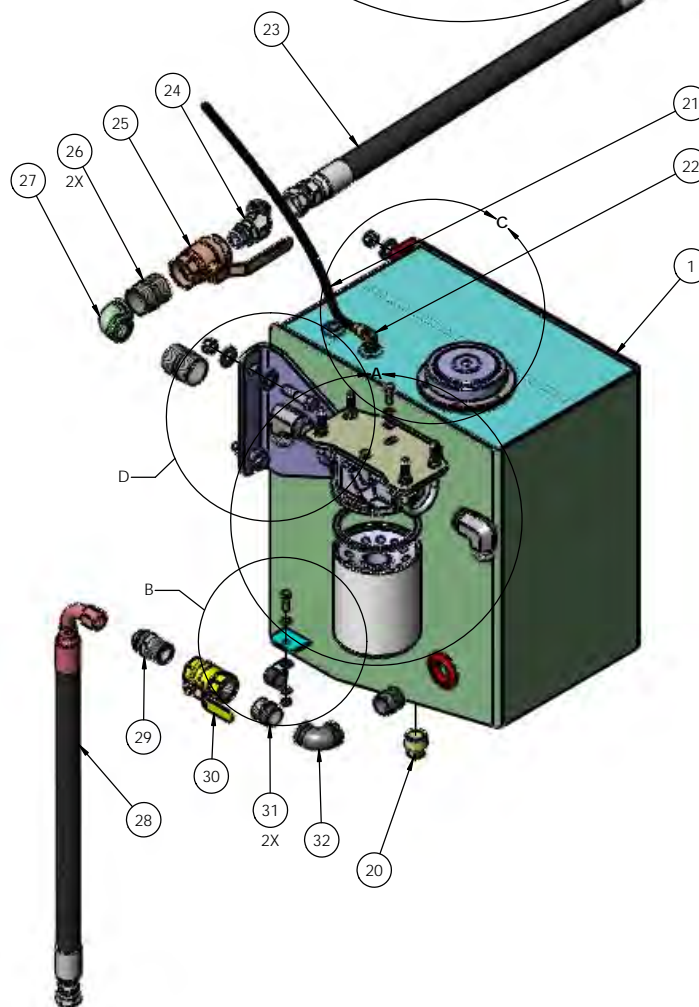
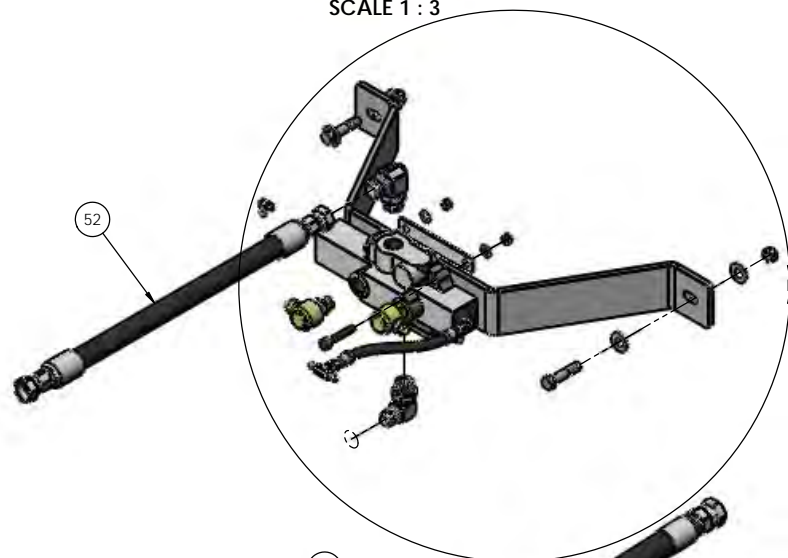
DETAIL C  
SCALE 1 : 3



DETAIL E  
SCALE 1 : 3



DETAIL D  
SCALE 1 : 3



DETAIL F  
SCALE 1 : 3

DIMENSIONS ARE IN INCHES TOLERANCES: DECIMAL XX ± 0.06 XXX ± 0.03 XXXX ± 0.005 ANGULAR FRACTIONAL ± 1/32"		NAME DFM MPC	DATE 08/11/2015 08/17/2016	TICO/TERMINAL SERVICE 44 CYPRESS RIDGE DR. RIDGELAND, SC 29936 (843) 717-2226
INTERPRET GEOMETRIC TOLERANCING PER: ASME Y14.5M 1994		DO NOT SCALE DRAWING		
THE SUBJECT MATTER SHOWN AND DESCRIBED IN THIS DRAWING AND ANY OTHER INFORMATION ADVANCED IN CONNECTION THEREWITH IS PROPRIETARY PROPERTY AND IS TO BE HELD IN STRICT CONFIDENCE BY YOU. ALL RIGHTS TO ANY INVENTIONS, DESIGNS, TRADE MARKS, TRADE NAMES AND COPYRIGHTS DISCLOSED ARE RESERVED TO TICO TERMINAL SERVICES, INC.		TITLE: ASSEMBLY, HYDRAULIC SYSTEM ELECTRIC		REV
FINISH		SIZE D	DWG. NO. 71806-R1	SHEET 1 OF 1

<b>TICO PRO-SPOTTER</b>				
<b>S/N:</b>		<b>ASSEMBLY, HYDRAULIC SYSTEM, ELECTRIC</b>		<b>71806</b>
<b>ITEM</b>	<b>PART #</b>	<b>QTY/M</b>	<b>DESCRIPTION</b>	
	71806-R1	REF	ASSEMBLY, HYDRAULIC SYSTEM, ELECTRIC	
	42019	REF	FITTING, STRAIGHT, STEEL, 1-1/4 JIC TO 1" O-RING	
	40471	REF	FITTING, STRAIGHT, STEEL, 3/4 O-RING TO 3/4 JIC	
1	42098	1	TANK, HYDRAULIC, NON-VENTED, 18.5 GALLON	
2	60556-1	1	FILTER	
3	1026037	1	SEAL	
4	60556-2	1	FILTER, HEAD	
5	40933	2	FITTING, ELBOW, 90°, STEEL, 1" JIC X 1-1/4 NPT	
6	20100	2	U-BOLT, 3/8 DIAMETER X 2 ID X 3-5/8 OVERALL LENGTH	
7	85091	4	WASHER, FLAT, 3/8	
8	85025	4	LOCKNUT, NYLON, 3/8-16	
9	82371	2	BOLT, HEX HEAD, 5/16-18 X 1 LONG	
10	85090	2	WASHER, FLAT, 5/16	
11	85134	2	LOCKWASHER, 5/16	
12	40593	1	P-CLAMP, 1"	
13	82371	1	BOLT, HEX HEAD, 5/16-18 X 1 LONG	
14	85024	1	LOCKNUT, NYLON, 5/16-18	
15	85112	2	WASHER, FLAT, 5/16	
16	30174	1	SPACER, HYDRAULIC TANK	
17	82418	4	BOLT, HEX HEAD, 1/2-13 X 2 LONG	
18	85104	8	WASHER, FLAT, 1/2	
19	85027	4	LOCKNUT, NYLON, 1/2-13	
20	40841	2	PLUG, PIPE, SOCKET HEX HEAD, BRASS, 3/8 NPT	
21	11004	3 FT	TUBING, NYLON, AIR BRAKE, BLACK, 3/8 DIAMETER	
22	40823	1	FITTING, ELBOW, 90°, STEEL, 3/8 TUBE TO 3/8 NPT	
23	41278	1	ASSEMBLY, HOSE, SUCTION, 1-1/4 DIAMETER X 85-1/2 HOSE X 90-3/4 OVERALL	
NOT SHOWN	12469	2	SPACER, PIPE, 1" LONG	
24	40984	1	FITTING, ELBOW, 45°, STEEL, 1-1/4 NPT TO 1-1/4 JIC	
25	40218	1	BALL VALVE, 1-1/4 NPT	
26	40806	1	NIPPLE, CLOSE STEEL, 1-1/4 NPT	
27	40805	1	FITTING, ELBOW, STREET, 90°, STEEL, 1-1/4 FEM TO 1-1/4 FEM	
28	41218	1	HOSE, 1 X 25 HOSE X 30-1/16 OVERALL LENGTH	
29	40961	1	FITTING, STRAIGHT, 1" JIC X 1" NPT	
30	40146	1	VALVE, SHUT-OFF, 1"	
31	41120	2	FITTING, NIPPLE, CLOSE STEEL, 1" NPT	
32	41119	1	FITTING, ELBOW, STREET, 90°, STEEL, 1" NPTF TO 1" NPTF	
<b>REV</b>	<b>DATE</b>	<b>BY</b>		<b>SHEET</b>
R	08/17/2016	MPC		1 OF 3

**TICO MANUFACTURING - RIDGELAND, SC 29936**

TICO PRO-SPOTTER				
S/N:		ASSEMBLY, HYDRAULIC SYSTEM, ELECTRIC		71806
ITEM	PART #	QTY/M	DESCRIPTION	
33	61962	1	PUMP, 20 GPM, STEER PRIORITY	
34	60212	1	GASKET	
35	80175	2	BOLT, SOCKET HEAD, 10 MM X 1-1/2 X 30 MM LONG	
36	85091	2	WASHER, FLAT, 3/8	
37	42019	1	FITTING, STRAIGHT, STEEL, 1-1/4 JIC TO 1" O-RING	
38	40471	1	FITTING, STRAIGHT, STEEL, 3/4 O-RING TO 3/4 JIC	
39	42006	1	ADAPTER, STRAIGHT, 1/2 O-RING TO 1/2 JIC	
40	30148-1	2	CYLINDER, 5", 15" STROKE	
41	30187-12	2	PIN, UPPER	
42	82418	2	BOLT, HEX HEAD, 1/2-13 X 2 LONG	
43	85115	4	WASHER, FLAT, 1/2	
44	85027	2	LOCKNUT, NYLON, 1/2-13	
45	40460	4	FITTING, ELBOW, 90°, STEEL, 1/2 O-RING X 1/2 JIC	
46	62302	1	VALVE, DIRECTIONAL CONTROL	
47	62299	1	SPACER, BRACKET, DCV	
48	61758-3	1	MOUNT PLATE, VALVE	
49	82429	2	BOLT, HEX HEAD, 1/2-13 X 2-1/4 LONG	
50	85093	4	WASHER, FLAT, 1/2	
51	85027	2	LOCKNUT, NYLON, 1/2-13	
52	40748	1	HOSE, 1" DIAMETER X 64 HOSE X 68-1/2 OVERALL	
NOT SHOWN	41103	1	ASSEMBLY, HOSE, #4, STRAIGHT TO STRAIGHT, 9-1/4 OVERALL LENGTH	
NOT SHOWN	41239	1	ASSEMBLY, HOSE, 3/4 DIAMETER X 73-1/2 HOSE X 77-5/8 OVERALL	
53	40320	1	ASSEMBLY, HOSE, #4, STRAIGHT TO STRAIGHT, 28-1/4 OVERALL LENGTH	
54	42083	1	FITTING, TEE, STEEL, #4 JIC	
NOT SHOWN	41058	1	ASSEMBLY, HOSE, #4, STRAIGHT TO 90°, 14-9/16 OVERALL LENGTH	
NOT SHOWN	42073	2	FITTING, STRAIGHT, 1/2 ORBM TO 1/2 ORBF	
NOT SHOWN	40914	1	FITTING, ELBOW, 90°, STEEL, 1/4 JIC X 1/2 NPT	
NOT SHOWN	61883	1	BRACKET, STANDOFF	
NOT SHOWN	82383	2	BOLT, HEX HEAD, 3/8-16 X 1-1/4 LONG	
NOT SHOWN	85091	4	WASHER, FLAT, 3/8	
NOT SHOWN	85025	2	LOCKNUT, NYLON, 3/8-16	
55	41188	2	FITTING, ELBOW, 90°, STEEL, SWIVEL, 1/2 O-RING TO 5/8 JIC	
56	40472	2	FITTING, ELBOW, 90°, STEEL, #4 JIC X 1/8 NPT	
57	10623	1	FITTING, ELBOW, 90°, 3/4 O-RING X 1" JIC	
58	10624	1	FITTING, ELBOW, 90°, 3/4 O-RING X 3/4 JIC	
59	80171	2	CAPSCREW, SOCKET HEAD, 3/8-16 X 2 LONG	
60	85113	4	WASHER, FLAT, 3/8	
61	85025	2	LOCKNUT, NYLON, 3/8-16	
REV	DATE	BY		SHEET
R	08/17/2016	MPC		2 OF 3

TICO MANUFACTURING - RIDGELAND, SC 29936

