
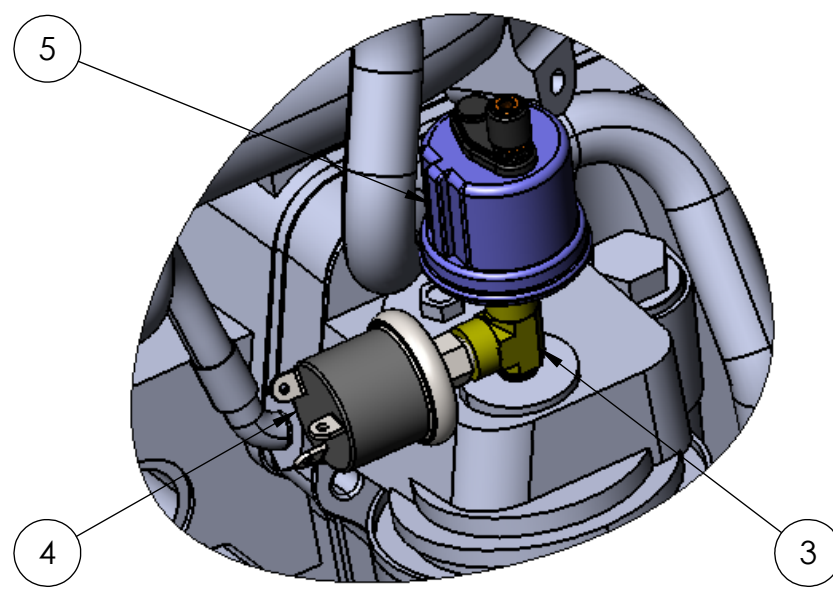
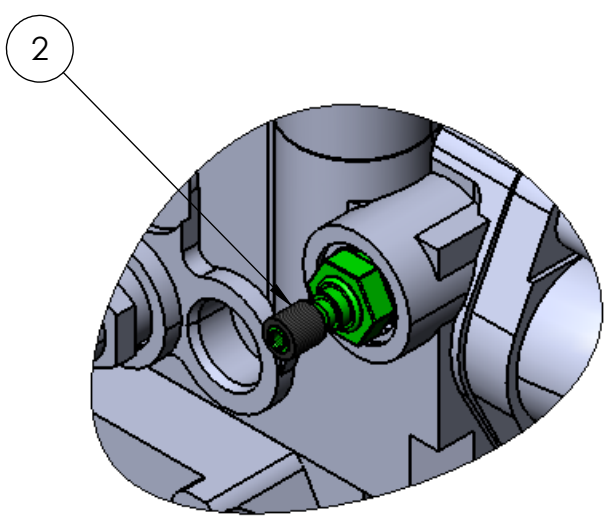
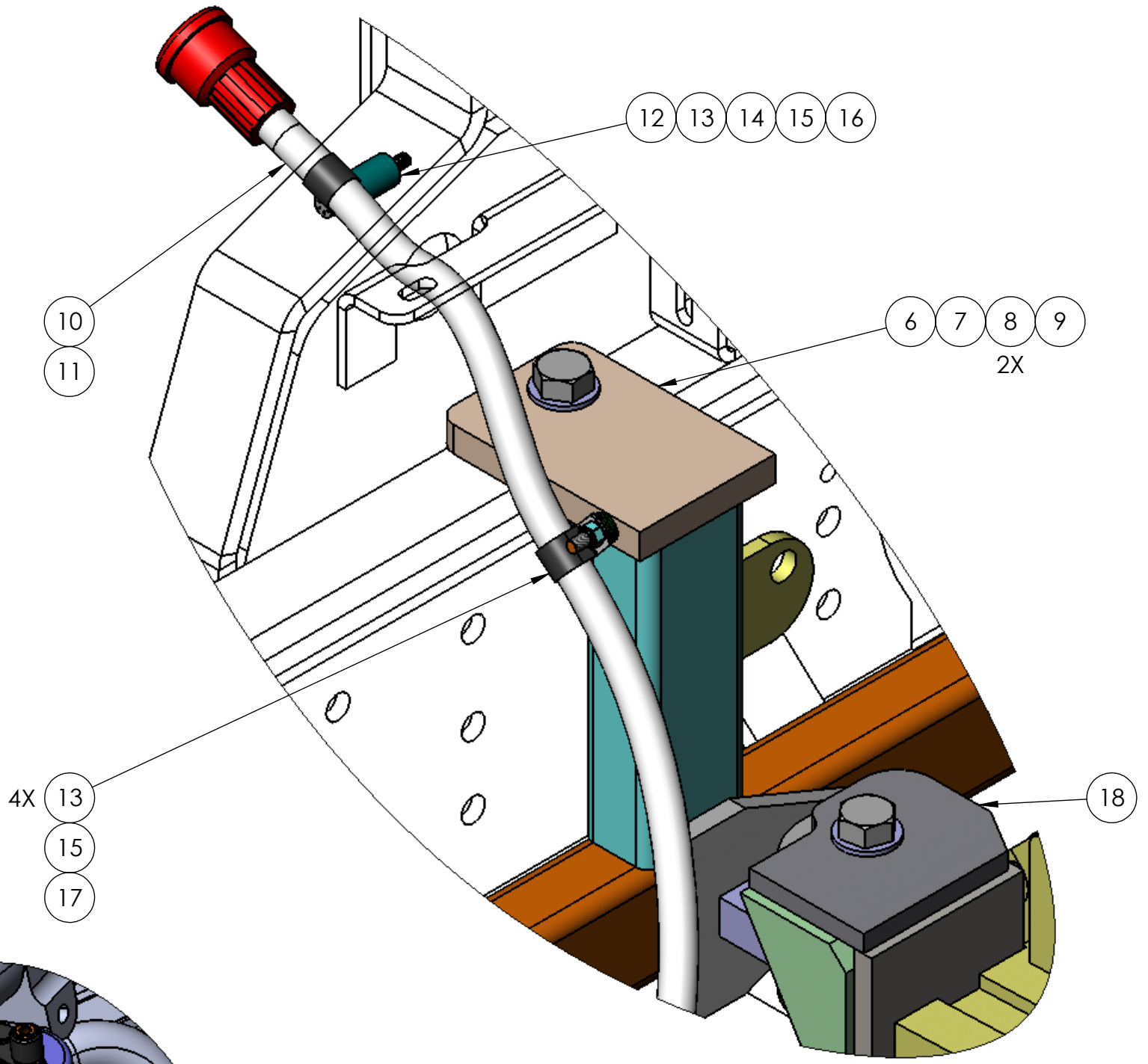
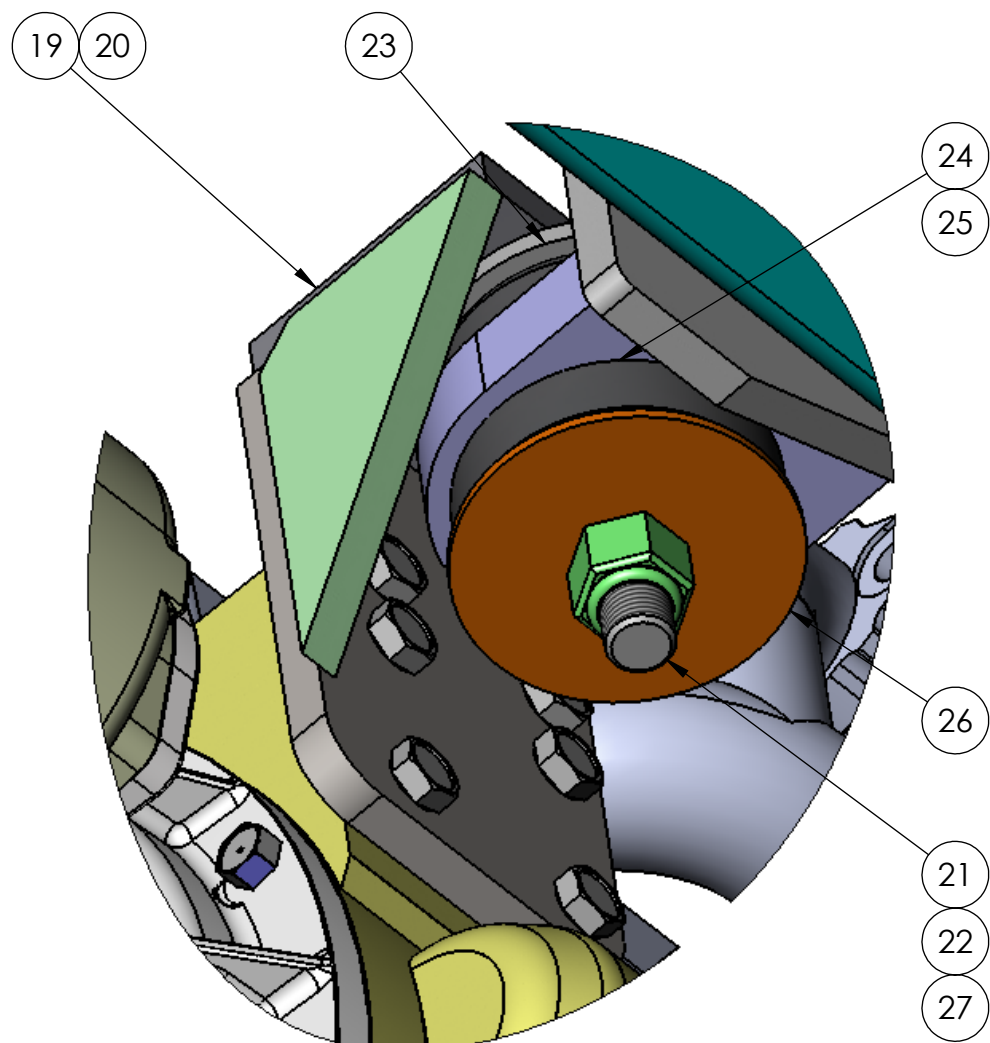



DIMENSIONS ARE IN INCHES TOLERANCES: DECIMAL: X.X ± 0.06 X.XX ± 0.03 X.XXX ± 0.005 ANGULAR: ± 0.5° FRACTIONAL ± 1/32"	NAME	DATE	 TICO MANUFACTURING 66 CYPRESS RIDGE DR. RIDGELAND, SC 29936 (843) 717-2226		
	DRAWN	MPC		10/24/2017	
	CHECKED	---		---	
	APPROVED	---		---	
DO NOT SCALE DRAWING			TITLE: ASSEMBLY, ENGINE & TRANSMISSION		
MATERIAL N/A	THE SUBJECT MATTER SHOWN AND DESCRIBED IN THIS DRAWING AND ANY OTHER INFORMATION ADVANCED IN CONNECTION THEREWITH, IS PROPRIETARY PROPERTY AND IS TO BE HELD IN STRICT CONFIDENCE BY YOU. ALL RIGHTS TO ANY INVENTIONS, DESIGNS, TRADE MARKS, TRADE NAMES AND COPYRIGHTS DISCLOSED ARE RESERVED TO TICO TERMINAL SERVICES, INC.		SIZE <b>B</b>	DWG. NO. 71759-D1	REV <b>D</b>
FINISH N/A			SCALE: 1:16	WEIGHT:	SHEET 1 OF 4
THICKNESS N/A					

8 7 6 5 4 3 2 1

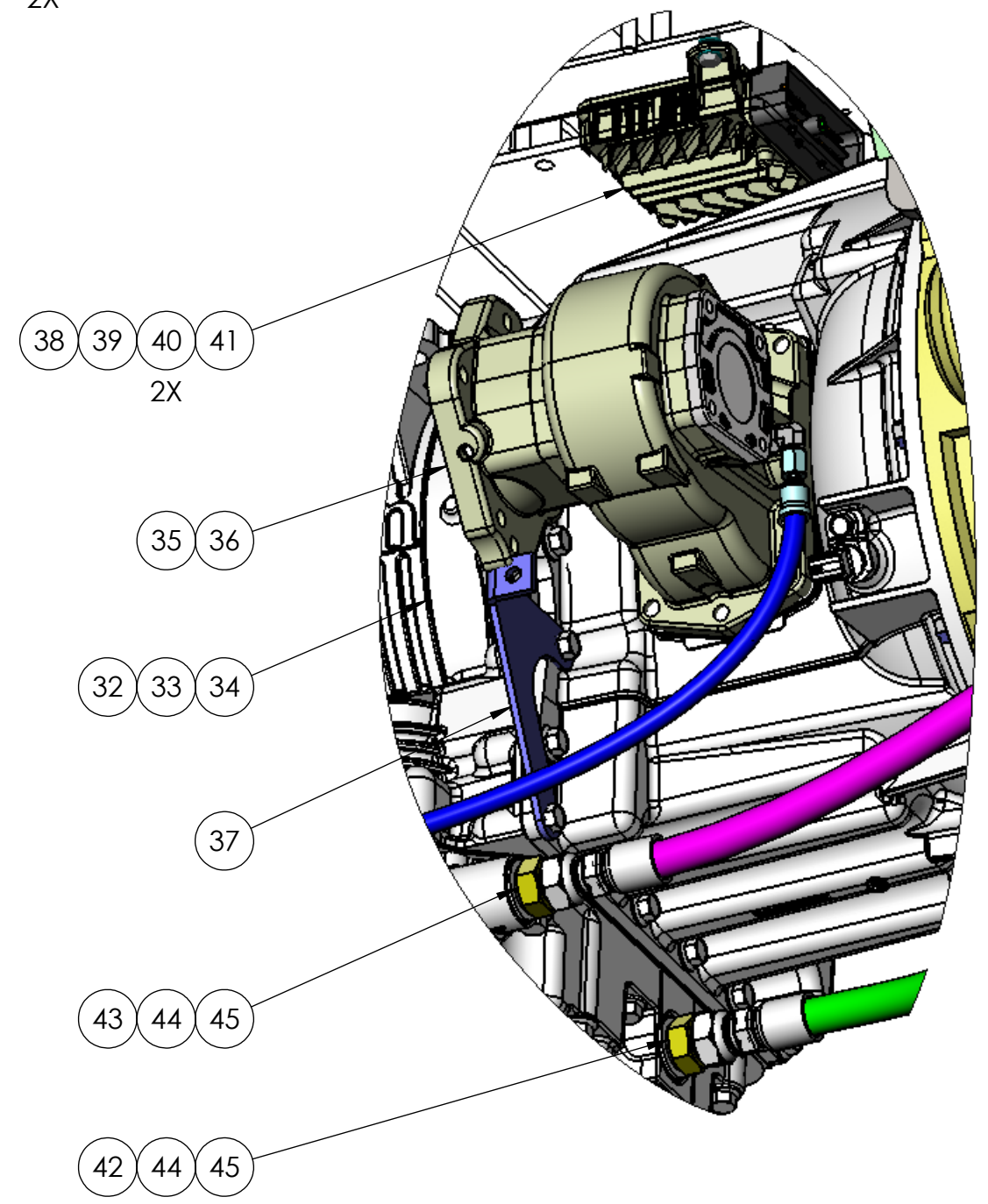
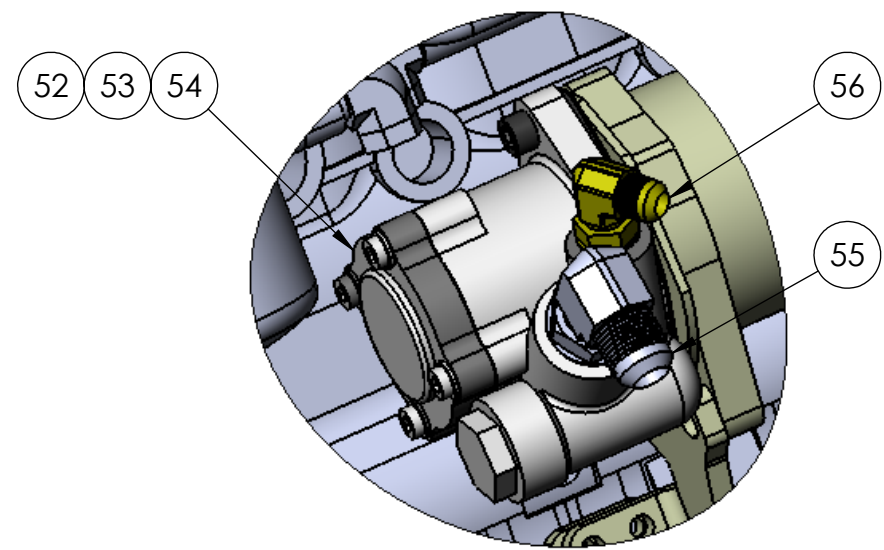
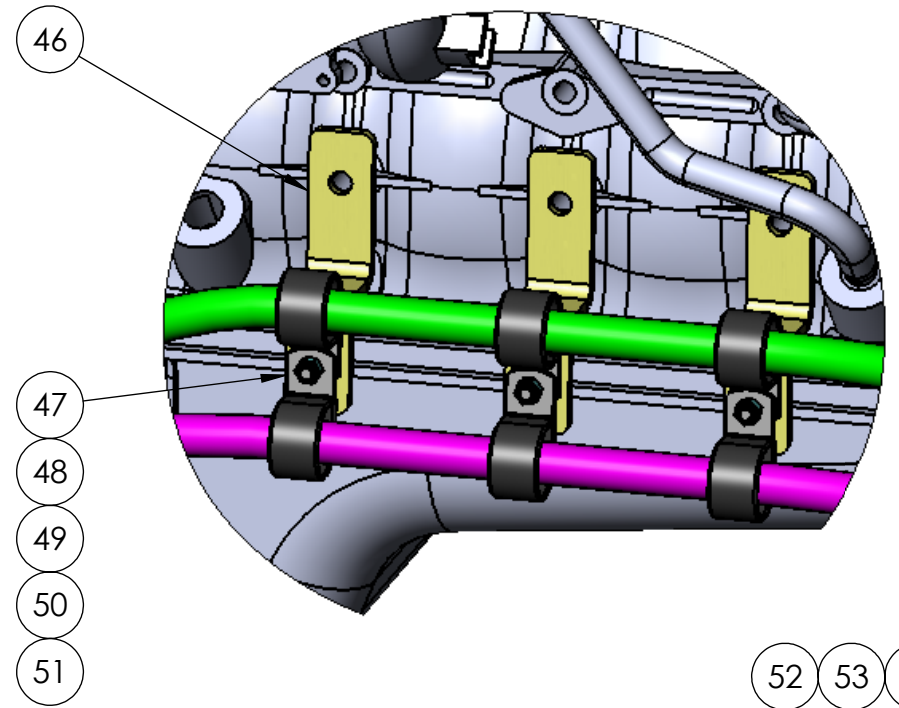
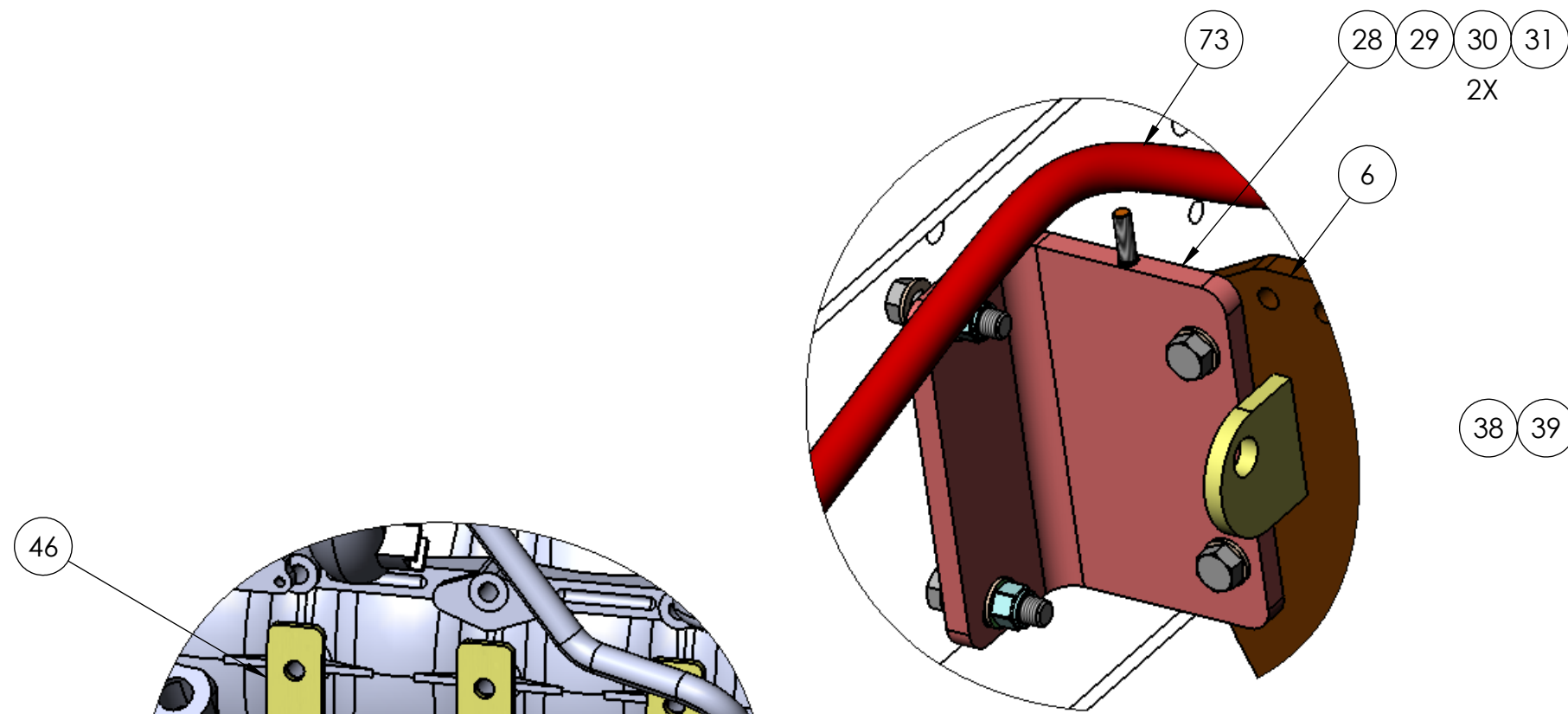
D  
C  
B  
A


D  
C  
B  
A



DIMENSIONS ARE IN INCHES TOLERANCES: DECIMAL: X.X ± 0.06 X.XX ± 0.03 X.XXX ± 0.005 ANGULAR: ± 0.5° FRACTIONAL ± 1/32"	DRAWN MPC	NAME MPC	DATE 10/24/2017	 TICO/TERMINAL SERVICE 66 CYPRESS RIDGE DR. RIDGELAND, SC 29936 (843) 717-2226			
	CHECKED ---	APPROVED ---	TITLE: ASSEMBLY, ENGINE & TRANSMISSION				
	DO NOT SCALE DRAWING				SIZE <b>B</b>	DWG. NO. 71759-D1	REV <b>D</b>
	INTERPRET GEOMETRIC TOLERANCING PER: ASME 14.5M-1994	THE SUBJECT MATTER SHOWN AND DESCRIBED IN THIS DRAWING AND ANY OTHER INFORMATION ADVANCED IN CONNECTION THEREWITH, IS PROPRIETARY PROPERTY AND IS TO BE HELD IN STRICT CONFIDENCE BY YOU. ALL RIGHTS TO ANY INVENTIONS, DESIGNS, TRADE MARKS, TRADE NAMES AND COPYRIGHTS DISCLOSED ARE RESERVED TO TICO TERMINAL SERVICES, INC.			SCALE: 1:16	WEIGHT:	SHEET 2 OF 4
MATERIAL N/A	FINISH N/A	THICKNESS N/A					

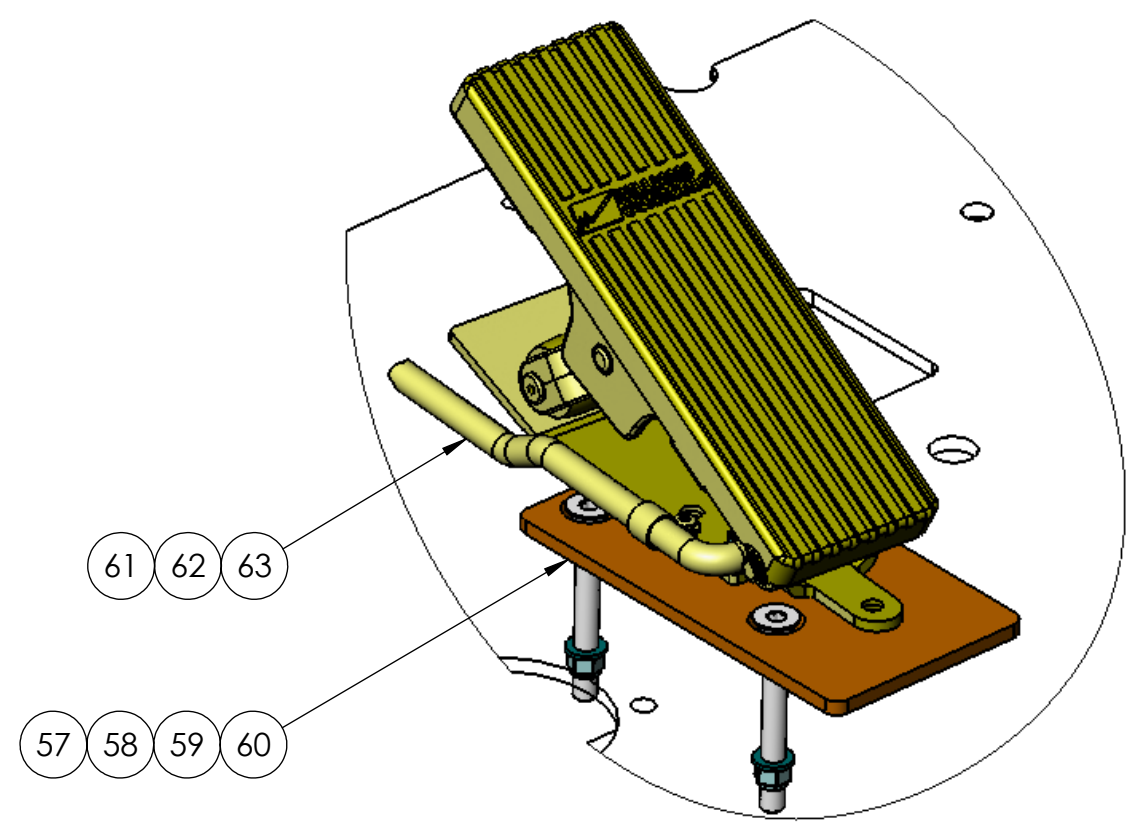
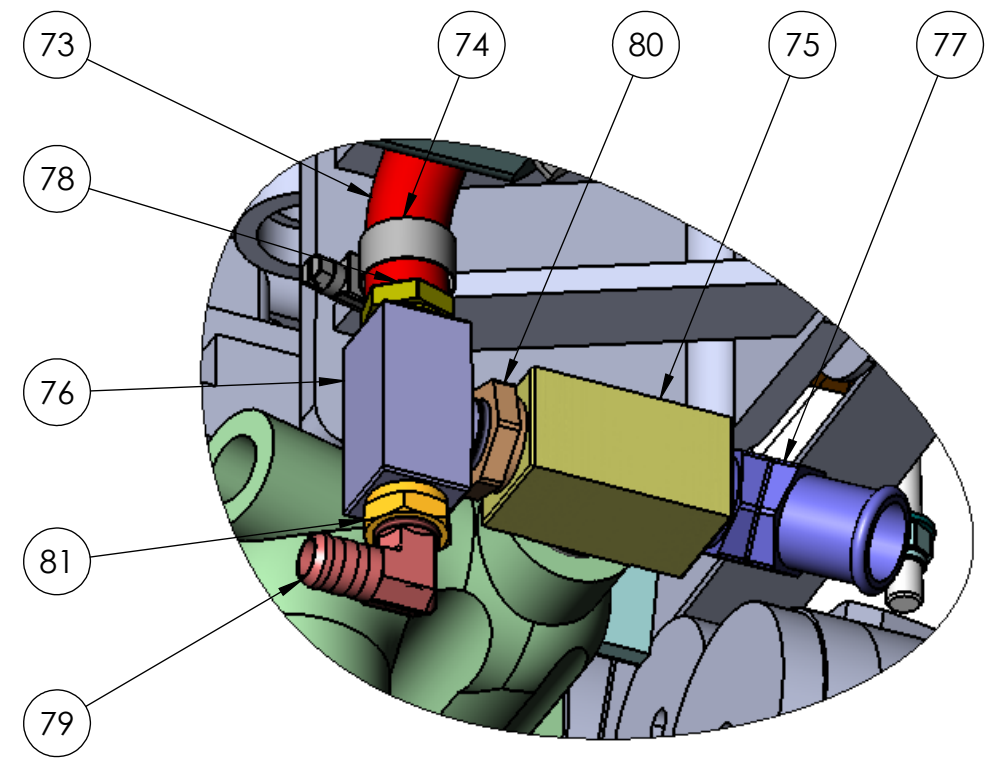
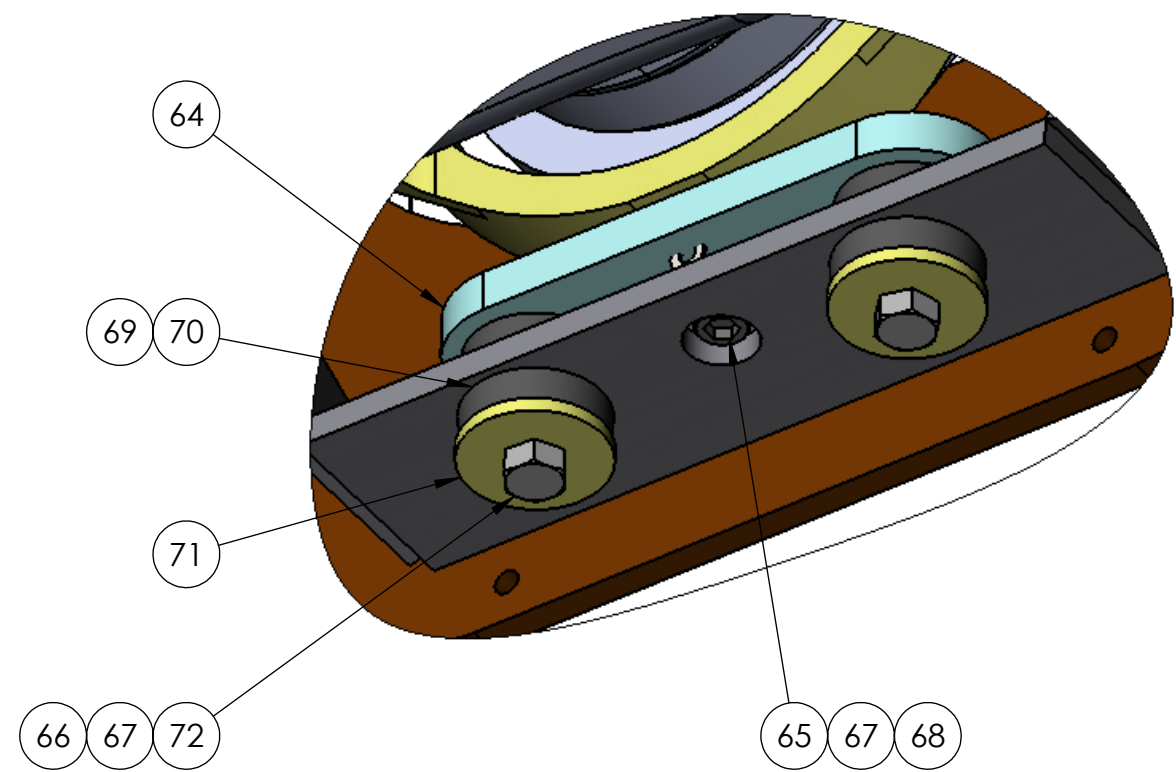
8 7 6 5 4 3 2 1




DIMENSIONS ARE IN INCHES		NAME	DATE	 TICO/TERMINAL SERVICE 66 CYPRESS RIDGE DR. RIDGELAND, SC 29936 (843) 717-2226	
TOLERANCES:		DRAWN	MPC		10/24/2017
DECIMAL:		CHECKED	---		---
X.X ± 0.06 X.XX ± 0.03 X.XXX ± 0.005		APPROVED	---		---
ANGULAR:		DO NOT SCALE DRAWING			
FRACTIONAL ± 1/32"		THE SUBJECT MATTER SHOWN AND DESCRIBED IN THIS DRAWING AND ANY OTHER INFORMATION ADVANCED IN CONNECTION THEREWITH, IS PROPRIETARY PROPERTY AND IS TO BE HELD IN STRICT CONFIDENCE BY YOU. ALL RIGHTS TO ANY INVENTIONS, DESIGNS, TRADE MARKS, TRADE NAMES AND COPYRIGHTS DISCLOSED ARE RESERVED TO TICO TERMINAL SERVICES, INC.			
INTERPRET GEOMETRIC TOLERANCING PER: ASME 14.5M-1994		TITLE: ASSEMBLY, ENGINE & TRANSMISSION			
MATERIAL N/A		SIZE	DWG. NO. 71759-D1	REV D	
FINISH N/A		SCALE: 1:16 WEIGHT: SHEET 3 OF 4			
THICKNESS N/A					

8 7 6 5 4 3 2 1

D  
C  
B  
A



8 7 6 5 4 3 2 1

DIMENSIONS ARE IN INCHES TOLERANCES: DECIMAL: X.X ± 0.06 X.XX ± 0.03 X.XXX ± 0.005 ANGULAR: ± 0.5° FRACTIONAL ± 1/32"	NAME MPC	DATE 10/24/2017	 TICO/TERMINAL SERVICE 66 CYPRESS RIDGE DR. RIDGELAND, SC 29936 (843) 717-2226
	CHECKED ---	---	
	APPROVED ---	---	
DO NOT SCALE DRAWING			TITLE: ASSEMBLY, ENGINE & TRANSMISSION
INTERPRET GEOMETRIC TOLERANCING PER: ASME 14.5M-1994	THE SUBJECT MATTER SHOWN AND DESCRIBED IN THIS DRAWING AND ANY OTHER INFORMATION ADVANCED IN CONNECTION THEREWITH, IS PROPRIETARY PROPERTY AND IS TO BE HELD IN STRICT CONFIDENCE BY YOU. ALL RIGHTS TO ANY INVENTIONS, DESIGNS, TRADE MARKS, TRADE NAMES AND COPYRIGHTS DISCLOSED ARE RESERVED TO TICO TERMINAL SERVICES, INC.		SIZE <b>B</b>
MATERIAL N/A	DWG. NO. 71759-D1		REV <b>D</b>
FINISH N/A	SCALE: 1:16	WEIGHT:	SHEET 4 OF 4
THICKNESS N/A			

TICO PRO-SPOTTER				
			ASSEMBLY, ENGINE & TRANSMISSION	71759
ITEM	PART #	QTY	DESCRIPTION	NOTE
	71759-D1	REF	ASSEMBLY, ENGINE & TRANSMISSION	
	61675	REF	PDC-CHASSIS	
1	61837	1	ENGINE, CUMMINS, ISB 2010, 200HP/2500 RPM (12V-AC)	
2	91069	1	SENSOR, GAUGE, WATER TEMPERATURE	
3	40467	1	FITTING, TEE, BRANCH, 1/4"	
4	60061	1	PRESSURE STAT, 10 LBS	
5	91068	1	SENSOR, GAUGE, OIL PRESSURE	
6	61989	1	ENGINE CRADLE	
7	82519	2	BOLT, HEX HEAD, 3/4-16 X 4-1/4 LONG	
8	85095	4	WASHER, FLAT, 3/4	
9	85029	2	LOCKNUT, NYLON, 3/4-16	
10	61574	1	DIPSTICK, RDS, TRANSMISSION	
11	62126	1	CLIP, RETAINER, DIPSTICK	
12	82437	1	BOLT, HEX HEAD, 5/16-18 X 2-1/4 LONG	
13	85090	5	WASHER, FLAT, 5/16	
14	85134	1	LOCKWASHER 5/16	
15	42197	2	P-CLAMP, 3/4"	
16	12091	1	SPACER, DIPSTICK	
17	85024	1	LOCKNUT, NYLON, 5/16-18	
18	60792	1	MOUNTING BRACKET, REAR ENGINE (LEFT-HAND)	
19	61689	1	MOUNTING BRACKET, REAR ENGINE (RIGHT-HAND)	
20	80240	12	BOLT, HEX HEAD, M12 X 1.5 X 35 MM LONG	
21	82574	2	BOLT, HEX HEAD, 3/4-10 X 5-1/2 LONG	
22	85095	2	WASHER, FLAT, 3/4	
23	60740	2	WASHER, REAR ENGINE MOUNT, 3/4 (TOP)	
24	61678	2	ISOLATOR, REAR ENGINE	
25	61677-8	2	SPACER, BOLT	
26	60740-1	2	WASHER, REAR ENGINE MOUNT, 3/4 (BOTTOM)	
27	85029	2	LOCKNUT, NYLON, 3/4-10	
28	61572-5	2	MOUNTING BRACKET, FRAME, FRONT ENGINE	
29	82418	8	BOLT, HEX HEAD, 1/2-13 X 2 LONG	
30	85093	16	WASHER, FLAT, 1/2	
31	85027	8	LOCKNUT, NYLON, 1/2-13	
32	60799-13	1	TRANSMISSION, RDS 3000, TC-411, ALLISON	
33	60799-7	12	BOLT, FLANGE HEAD, SERRATED, 10MM X 1.75 X 30 MM LONG	
34	60799-6	6	BOLT, FLEX PLATE/TORQUE CONVERTER	
<b>REV</b>	<b>DATE</b>	<b>BY</b>		<b>SHEET</b>
D	10/24/2017	MPC		1
				<b>OF</b>
				3

TICO MANUFACTURING - RIDGELAND, SC 29936



