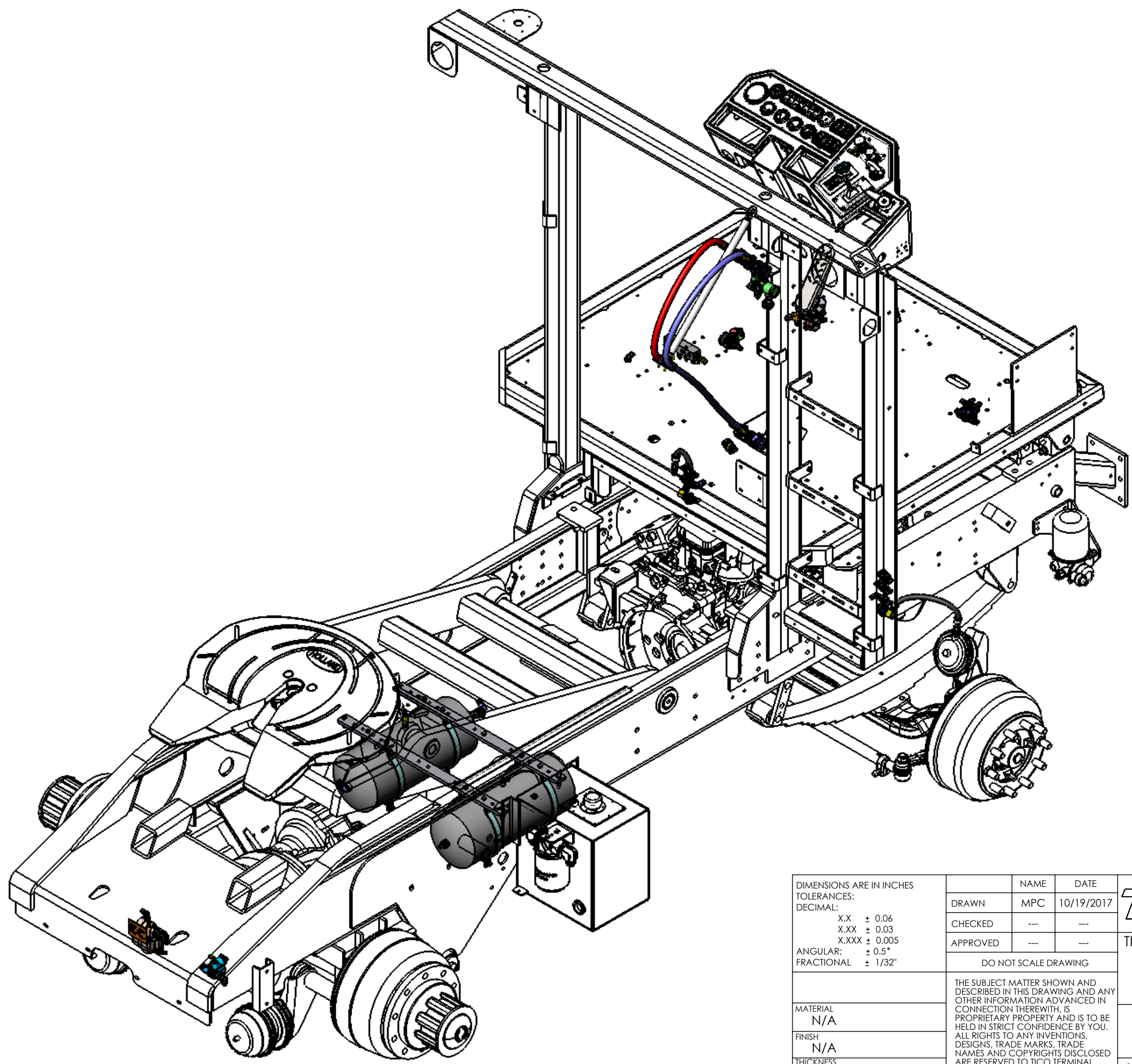



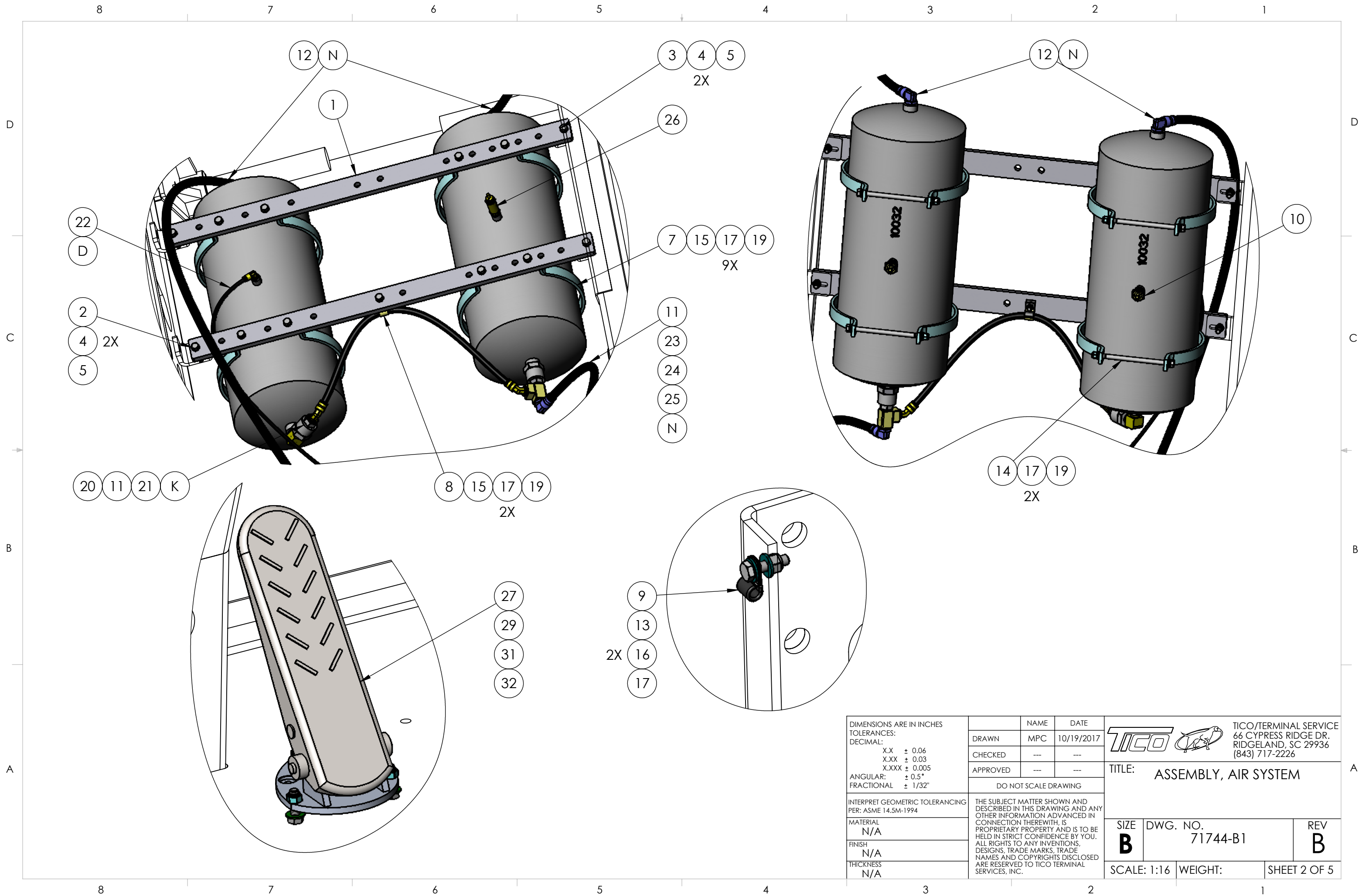
8 7 6 5 4 3 2 1

D
C
B
A

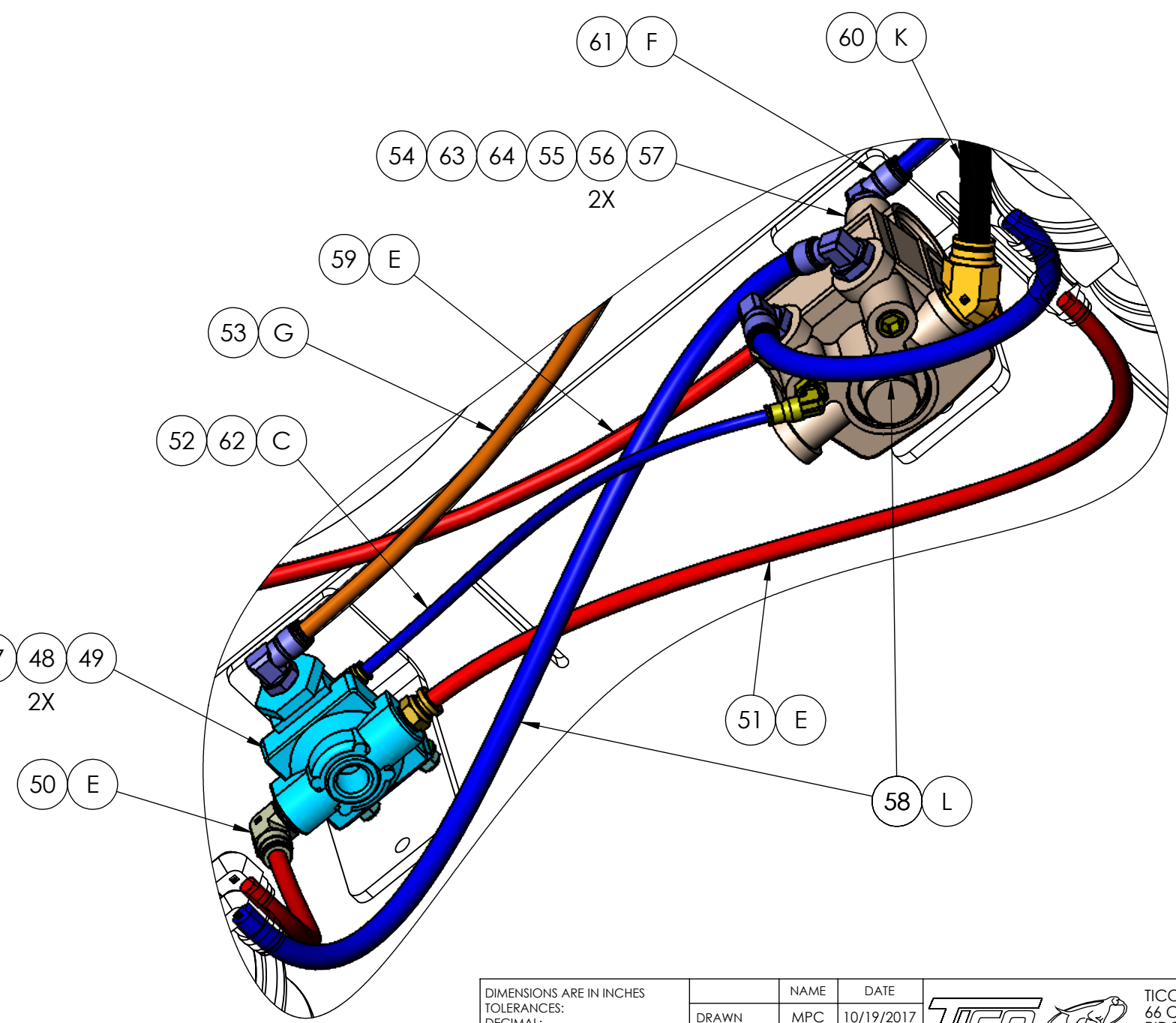
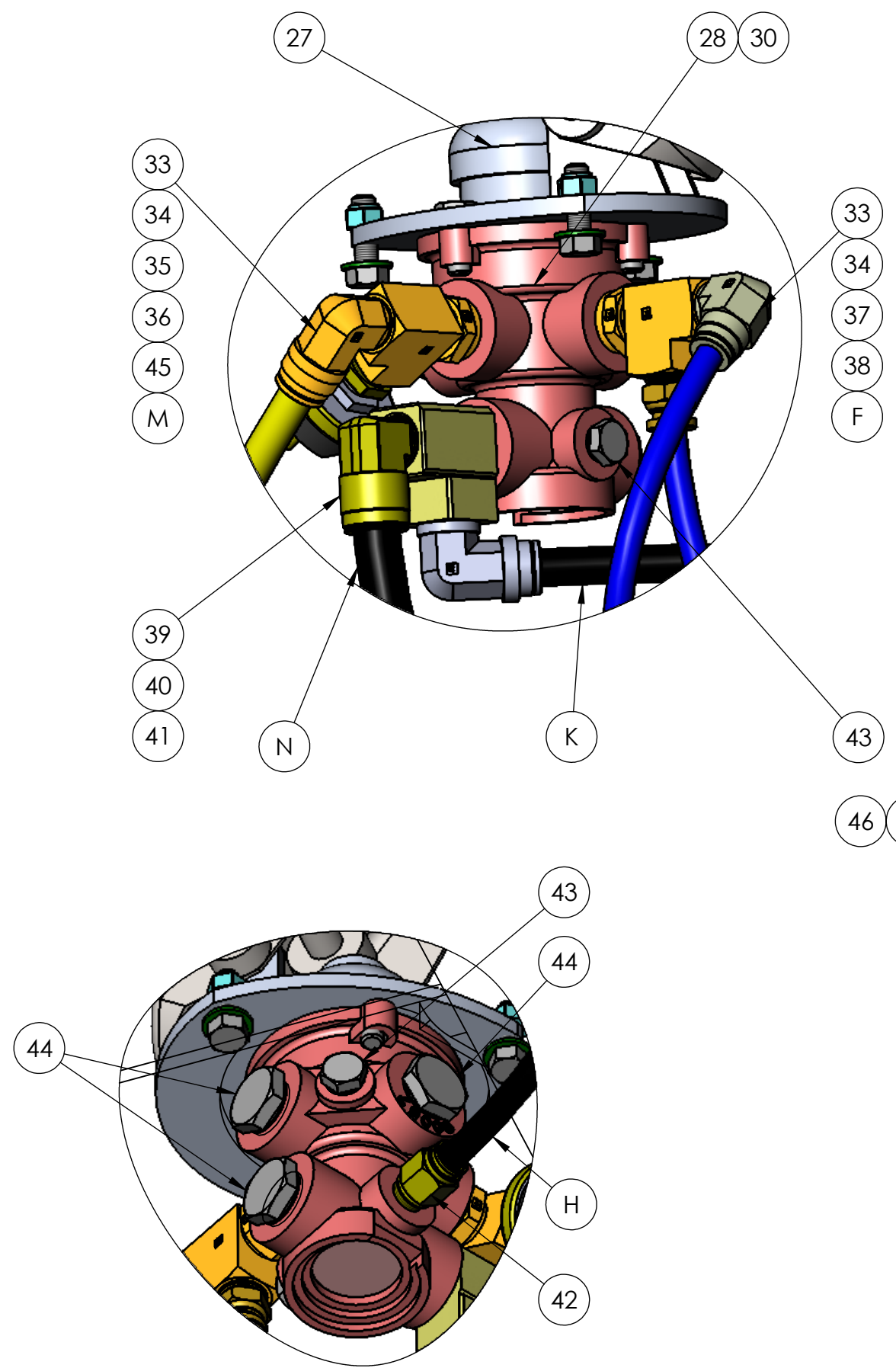



DIMENSIONS ARE IN INCHES TOLERANCES: DECIMAL: X.X ± 0.06 X.XX ± 0.03 X.XXX ± 0.005 ANGULAR: ± 0.5° FRACTIONAL ± 1/32"	NAME	DATE	 TICO MANUFACTURING 66 CYPRESS RIDGE DR. RIDGELAND, SC 29936 (843) 717-2226	
	DRAWN	MPC		10/19/2017
	CHECKED	---		---
	APPROVED	---		---
DO NOT SCALE DRAWING			TITLE: ASSEMBLY, AIR SYSTEM	
MATERIAL N/A	THE SUBJECT MATTER SHOWN AND DESCRIBED IN THIS DRAWING AND ANY OTHER INFORMATION ADVANCED IN CONNECTION THEREWITH, IS PROPRIETARY PROPERTY AND IS TO BE HELD IN STRICT CONFIDENCE BY YOU. ALL RIGHTS TO ANY INVENTIONS, DESIGNS, TRADE MARKS, TRADE NAMES AND COPYRIGHTS DISCLOSED ARE RESERVED TO TICO TERMINAL SERVICES, INC.		SIZE B	
FINISH N/A			DWG. NO. 71744-B1	REV B
THICKNESS N/A			SCALE: 1:16	WEIGHT:

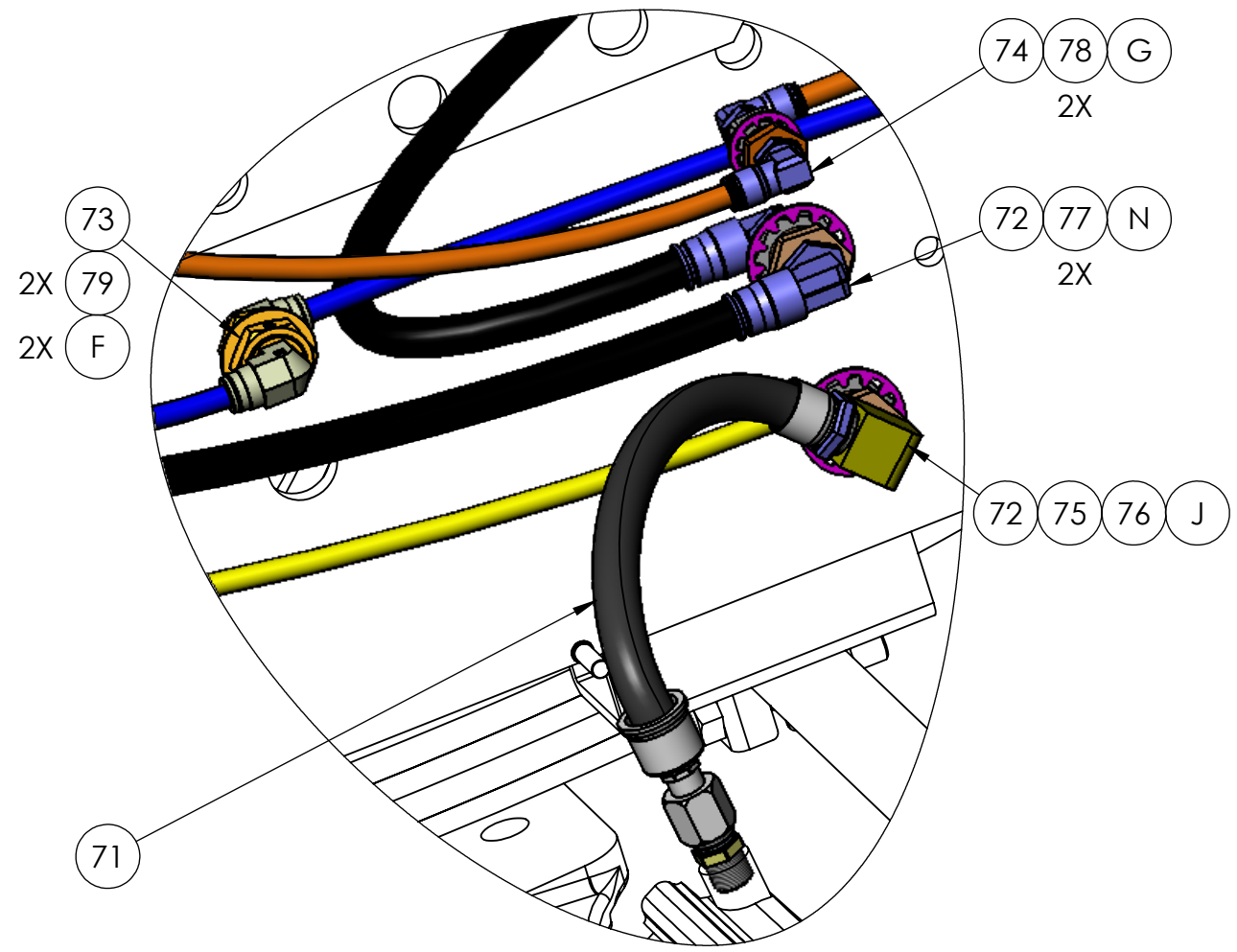
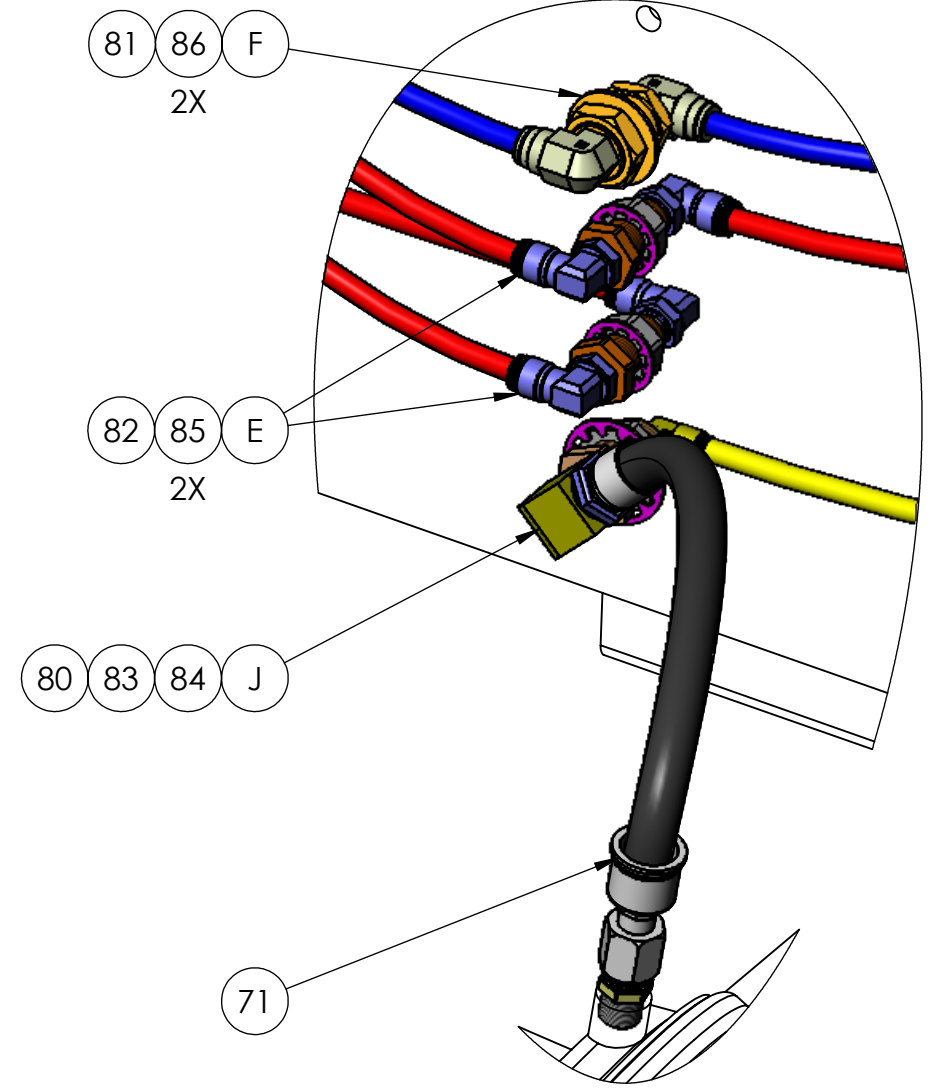
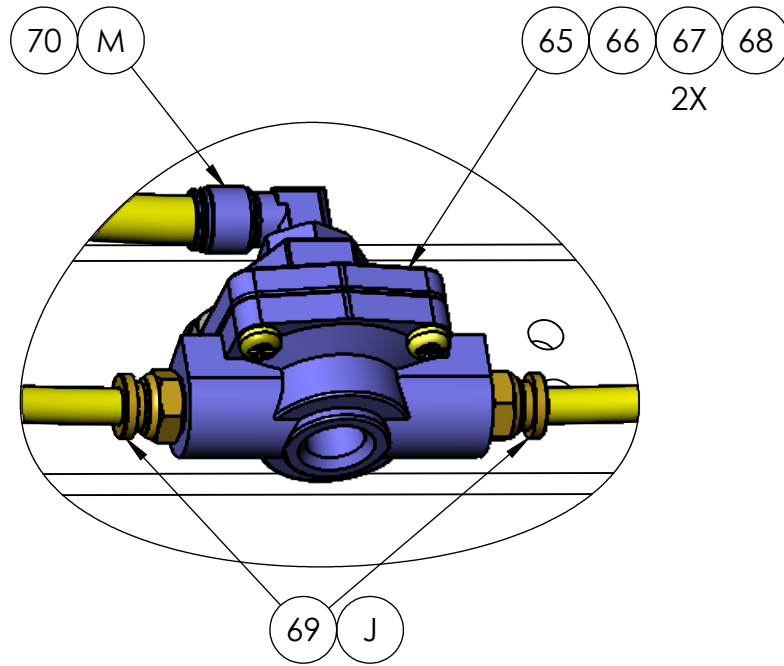
8 7 6 5 4 3 2 1




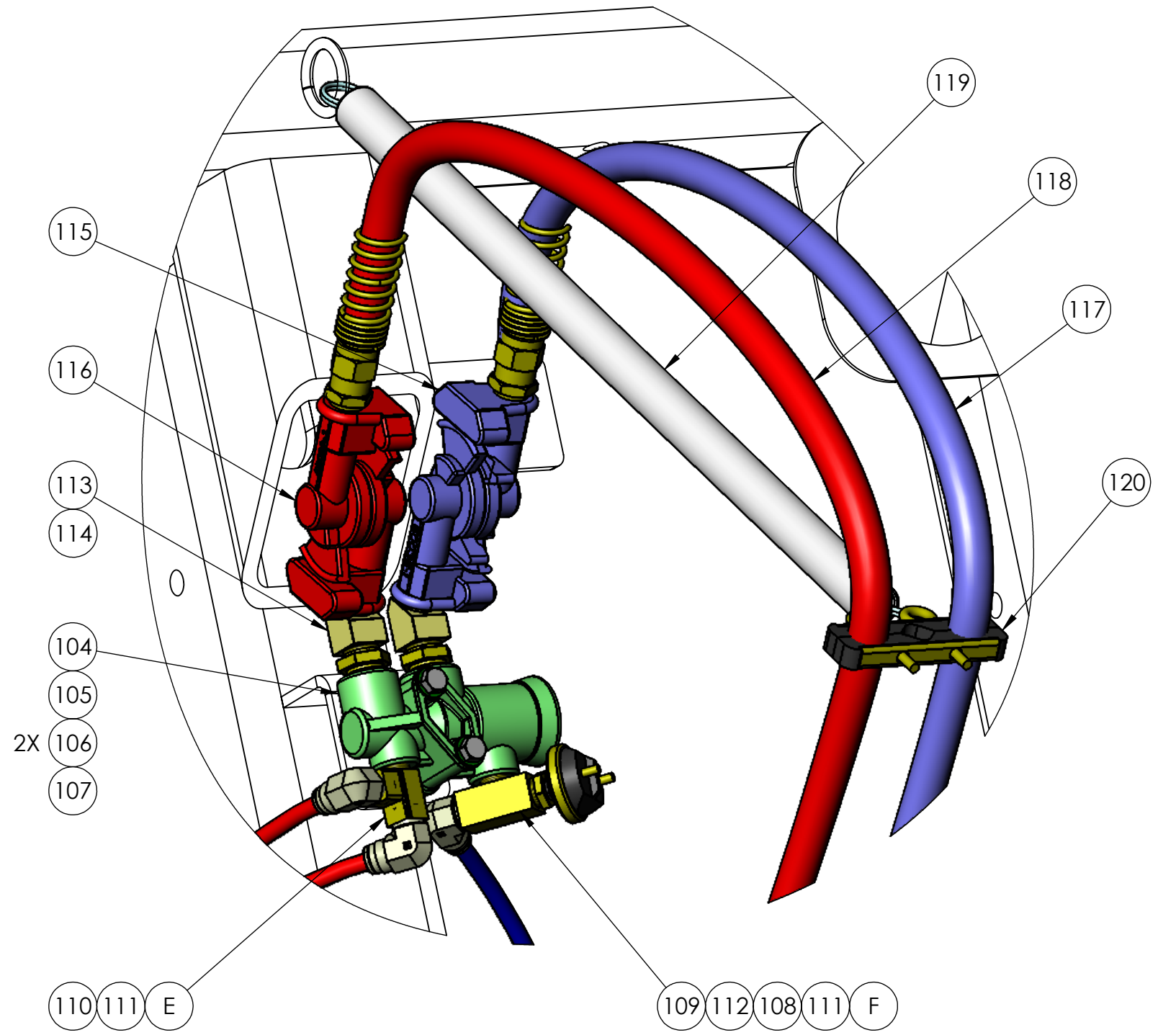
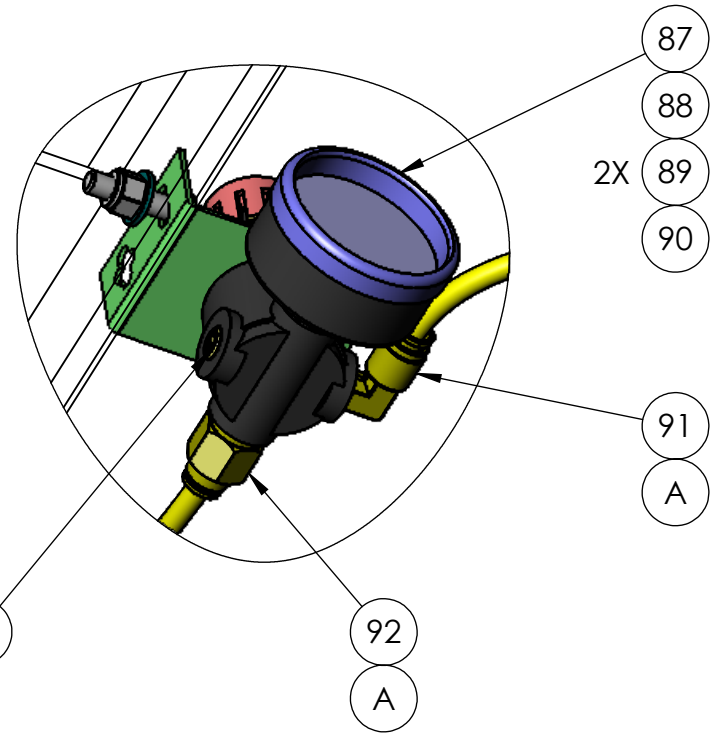
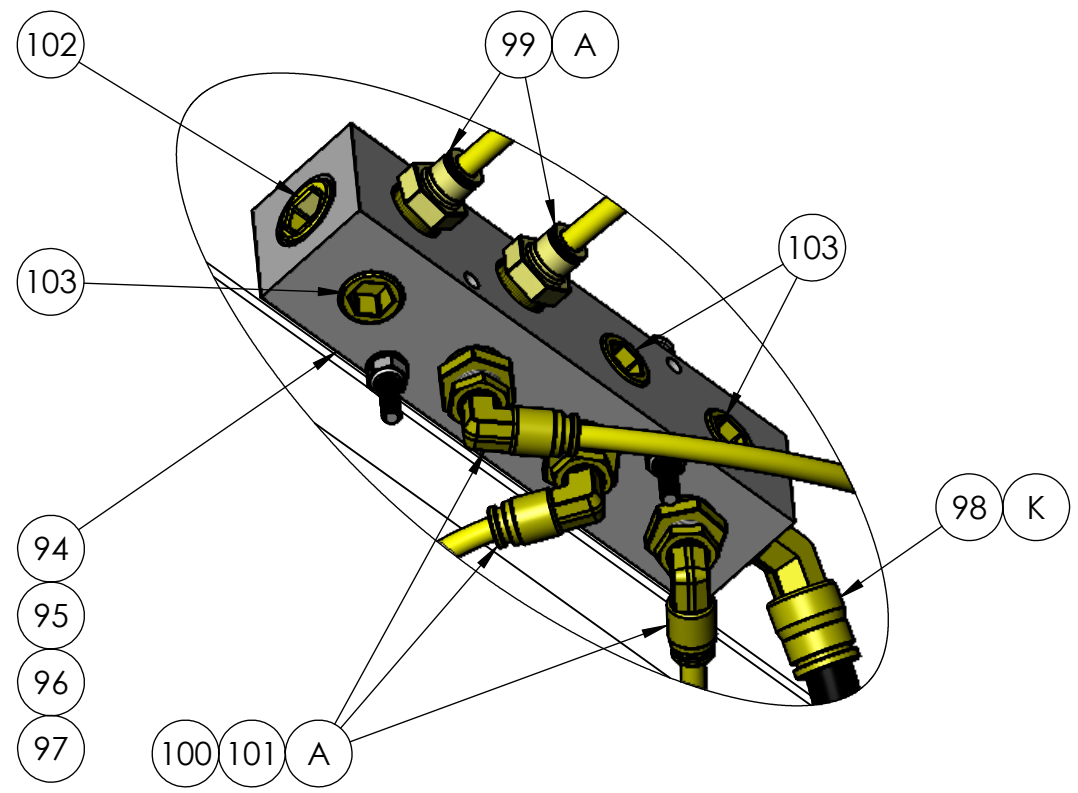
DIMENSIONS ARE IN INCHES TOLERANCES: DECIMAL: X.X ± 0.06 X.XX ± 0.03 X.XXX ± 0.005 ANGULAR: ± 0.5° FRACTIONAL ± 1/32"	NAME	DATE	TICO/TERMINAL SERVICE 66 CYPRESS RIDGE DR. RIDGELAND, SC 29936 (843) 717-2226		
	DRAWN	MPC		10/19/2017	
	CHECKED	---		---	
	APPROVED	---		---	
INTERPRET GEOMETRIC TOLERANCING PER: ASME 14.5M-1994	DO NOT SCALE DRAWING		TITLE: ASSEMBLY, AIR SYSTEM		
MATERIAL N/A	THE SUBJECT MATTER SHOWN AND DESCRIBED IN THIS DRAWING AND ANY OTHER INFORMATION ADVANCED IN CONNECTION THEREWITH, IS PROPRIETARY PROPERTY AND IS TO BE HELD IN STRICT CONFIDENCE BY YOU. ALL RIGHTS TO ANY INVENTIONS, DESIGNS, TRADE MARKS, TRADE NAMES AND COPYRIGHTS DISCLOSED ARE RESERVED TO TICO TERMINAL SERVICES, INC.		SIZE B	DWG. NO. 71744-B1	REV B
FINISH N/A			SCALE: 1:16	WEIGHT:	SHEET 2 OF 5
THICKNESS N/A					




DIMENSIONS ARE IN INCHES TOLERANCES: DECIMAL: X.X ± 0.06 X.XX ± 0.03 X.XXX ± 0.005 ANGULAR: ± 0.5° FRACTIONAL ± 1/32"	NAME	DATE	 TICO/TERMINAL SERVICE 66 CYPRESS RIDGE DR. RIDGELAND, SC 29936 (843) 717-2226	
	DRAWN	MPC		10/19/2017
	CHECKED	---		---
	APPROVED	---		---
INTERPRET GEOMETRIC TOLERANCING PER: ASME 14.5M-1994	DO NOT SCALE DRAWING		TITLE: ASSEMBLY, AIR SYSTEM	
MATERIAL N/A	THE SUBJECT MATTER SHOWN AND DESCRIBED IN THIS DRAWING AND ANY OTHER INFORMATION ADVANCED IN CONNECTION THEREWITH, IS PROPRIETARY PROPERTY AND IS TO BE HELD IN STRICT CONFIDENCE BY YOU. ALL RIGHTS TO ANY INVENTIONS, DESIGNS, TRADE MARKS, TRADE NAMES AND COPYRIGHTS DISCLOSED ARE RESERVED TO TICO TERMINAL SERVICES, INC.		SIZE B	
FINISH N/A			DWG. NO. 71744-B1	REV B
THICKNESS N/A			SCALE: 1:16	WEIGHT:



DIMENSIONS ARE IN INCHES TOLERANCES: DECIMAL: X.X ± 0.06 X.XX ± 0.03 X.XXX ± 0.005 ANGULAR: ± 0.5° FRACTIONAL ± 1/32"	NAME	DATE	 TICO/TERMINAL SERVICE 66 CYPRESS RIDGE DR. RIDGELAND, SC 29936 (843) 717-2226	
	DRAWN	MPC		10/19/2017
	CHECKED	---		---
	APPROVED	---		---
DO NOT SCALE DRAWING			TITLE: ASSEMBLY, AIR SYSTEM	
INTERPRET GEOMETRIC TOLERANCING PER: ASME 14.5M-1994	THE SUBJECT MATTER SHOWN AND DESCRIBED IN THIS DRAWING AND ANY OTHER INFORMATION ADVANCED IN CONNECTION THEREWITH, IS PROPRIETARY PROPERTY AND IS TO BE HELD IN STRICT CONFIDENCE BY YOU. ALL RIGHTS TO ANY INVENTIONS, DESIGNS, TRADE MARKS, TRADE NAMES AND COPYRIGHTS DISCLOSED ARE RESERVED TO TICO TERMINAL SERVICES, INC.		SIZE	
MATERIAL			DWG. NO.	REV
FINISH			71744-B1	B
THICKNESS				
N/A	N/A	N/A	SCALE: 1:16	
			WEIGHT:	
			SHEET 4 OF 5	



DIMENSIONS ARE IN INCHES TOLERANCES: DECIMAL: X.X ± 0.06 X.XX ± 0.03 X.XXX ± 0.005 ANGULAR: ± 0.5° FRACTIONAL ± 1/32"	NAME	DATE	 TICO/TERMINAL SERVICE 66 CYPRESS RIDGE DR. RIDGELAND, SC 29936 (843) 717-2226		
	DRAWN	MPC		10/19/2017	
	CHECKED	---		---	
	APPROVED	---		---	
INTERPRET GEOMETRIC TOLERANCING PER: ASME 14.5M-1994	DO NOT SCALE DRAWING		TITLE: ASSEMBLY, AIR SYSTEM		
MATERIAL N/A	THE SUBJECT MATTER SHOWN AND DESCRIBED IN THIS DRAWING AND ANY OTHER INFORMATION ADVANCED IN CONNECTION THEREWITH, IS PROPRIETARY PROPERTY AND IS TO BE HELD IN STRICT CONFIDENCE BY YOU. ALL RIGHTS TO ANY INVENTIONS, DESIGNS, TRADE MARKS, TRADE NAMES AND COPYRIGHTS DISCLOSED ARE RESERVED TO TICO TERMINAL SERVICES, INC.		SIZE B		
FINISH N/A			DWG. NO. 71744-B1	REV B	
THICKNESS N/A			SCALE: 1:16	WEIGHT:	SHEET 5 OF 5

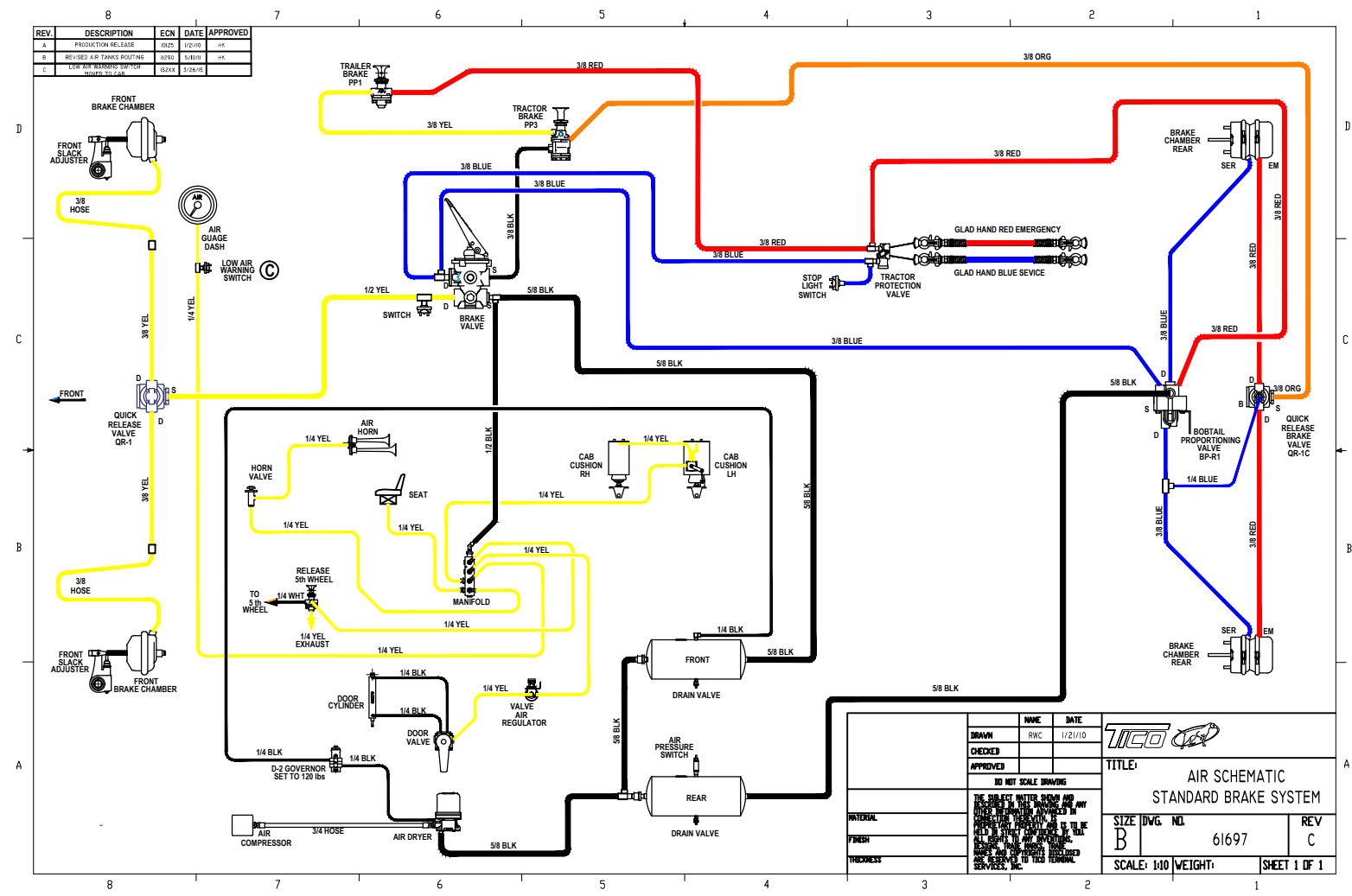
TICO PRO-SPOTTER					
			ASSEMBLY, AIR SYSTEM	71744	
ITEM	PART #	QTY	DESCRIPTION	NOTE	
	71744-B1	REF	ASSEMBLY, AIR SYSTEM		
	61697	REF	SCHEMATIC, STANDARD SYSTEM, 2 TANKS		
			NOTE: SET AIR GOVERNOR AT 120 PSI		
A	11000	20 FT	TUBING, NYLON, AIR BRAKE, 1/4 YELLOW		
B	11020	20 FT	TUBING, NYLON, AIR BRAKE, 1/4 WHITE		
C	11021	20 FT	TUBING, NYLON, AIR BRAKE, 1/4 BLUE		
D	11003	20 FT	TUBING, NYLON, AIR BRAKE, 1/4 BLACK		
E	11007	20 FT	TUBING, NYLON, AIR BRAKE, 3/8 RED		
F	11001	20 FT	TUBING, NYLON, AIR BRAKE, 3/8 BLUE		
G	11026	20 FT	TUBING, NYLON, AIR BRAKE, 3/8 ORANGE		
H	11004	20 FT	TUBING, NYLON, AIR BRAKE, 3/8 BLACK		
J	11013	20 FT	TUBING, NYLON, AIR BRAKE, 3/8 YELLOW		
K	11005	20 FT	TUBING, NYLON, AIR BRAKE, 1/2 BLACK		
L	11009	20 FT	TUBING, NYLON, AIR BRAKE, 1/2 BLUE		
M	11014	20 FT	TUBING, NYLON, AIR BRAKE, 1/2 YELLOW		
N	11025	20 FT	TUBING, NYLON, AIR BRAKE, 5/8 BLACK		
1	12357	2	SUPPORT BAR, AIR TANK		
2	82416	2	BOLT, HEX HEAD, 3/8-16 X 2 LONG		
3	82405	2	BOLT, HEX HEAD, 3/8-16 X 1-3/4 LONG		
4	85091	8	WASHER, FLAT, 3/8		
5	85025	4	LOCKNUT, NYLON, 3/8-16		
6	10032	2	TANK, AIR-10		
7	40393-1	8	BRACKET, AIR TANK		
8	40826	1	CLAMP, LOOM, 1/2"		
9	42202	1	P-CLAMP, 1/4"		
10	40148	2	VALVE, DRAIN, AIR TANK (WITH 5' LANYARD)		
11	40029-1	2	VALVE, CHECK, AIR TANK		
12	40878	2	FITTING, ELBOW, 90°, 1/2 NPT X 5/8 TUBE		
13	82370	1	BOLT, HEX HEAD, 1/4-20 X 1 LONG		
14	82603	4	BOLT, HEX HEAD, 3/8-16 X 6-1/2 LONG		
15	82394	9	BOLT, HEX HEAD, 3/8-16 X 1-1/2 LONG		
16	85089	2	WASHER, FLAT, 1/4		
17	85091	42	WASHER, FLAT, 3/8		
18	85023	1	LOCKNUT, NYLON, 1/4-20		
19	85025	13	LOCKNUT, NYLON, 3/8-16		
	FITTINGS		FRONT-TANK		
20	40817	1	FITTING, ELBOW, 90°, STREET, BRASS, 1/2 NPT X 1/2 FNPT		
21	40822	1	FITTING, ELBOW, 45°, 1/2 NPT X 1/2 TUBE		
22	40861	1	FITTING, ELBOW, 90°, SWIVEL, 1/4 NPT X 1/4 TUBE		
REV	DATE	BY		SHEET	1
B	10/19/2017	MPC		OF	4

TICO MANUFACTURING - RIDGELAND, SC 29936

TICO PRO-SPOTTER					
			ASSEMBLY, AIR SYSTEM	71744	
ITEM	PART #	QTY	DESCRIPTION	NOTE	
87	90295	1	VALVE, AIR REGULATOR		
88	82370	1	BOLT, HEX HEAD, 1/4-20 X 1 LONG		
89	85089	2	WASHER, FLAT, 1/4		
90	85023	1	LOCKNUT, NYLON, 1/4-20		
91	40860	1	FITTING, ELBOW, 90°, SWIVEL, 1/8 NPT X 1/4 TUBE		
92	40883	1	FITTING, STRAIGHT, 1/4 NPT X 1/4 TUBE		
93	40858	1	PLUG, ALLEN HEAD, 1/8 NPT		
94	10949	1	MANIFOLD, AIR		
95	800459	2	SCREW, PAN HEAD, PHILLIPS, STAINLESS STEEL, #10-32 X 2-1/2 LONG		
96	80239	2	WASHER, FLAT, STAINLESS STEEL, #10		
97	800424	2	LOCKNUT, NYLON, STAINLESS STEEL, #10-32		
98	40822	1	FITTING, ELBOW, 45°, 1/2 NPT X 1/2 TUBE		
99	40833	2	FITTING, STRAIGHT, BRASS, 3/8 NPT X 1/4 TUBE		
100	40851	3	FITTING, REDUCER, BRASS, 3/8 NPT X 1/4 FNPT		
101	40861	3	FITTING, ELBOW, 90°, SWIVEL, 1/4 NPT X 1/4 TUBE		
102	80163	1	PLUG, ALLEN, 1/2 NPT		
103	40841	3	PLUG, ALLEN HEAD, 3/8 NPT		
104	90069	1	VALVE, PROTECTION, TRACTOR		
105	82459	2	BOLT, HEX HEAD, 5/16-18 X 3 LONG		
106	85090	4	WASHER, FLAT, 5/16		
107	85024	2	LOCKNUT, NYLON, 5/16-18		
108	90078	1	SWITCH, STOP LIGHT		
109	40873	1	FITTING, TEE, BRANCH, BRASS, 3/8 NPT X 3/8 FNPT X 3/8 FNPT		
110	40900	1	FITTING, TEE, STREET, BRASS STREET, 1/4 NPT X 1/4 FPT X 1/4 FPT		
111	40823	3	FITTING, ELBOW, 90°, BRASS, 3/8 NPT X 3/8 TUBE		
112	40851	1	FITTING, REDUCER, BRASS, 3/8 NPT TO 1/4 FNPT		
113	40899	2	FITTING, ELBOW, STREET, 45°, BRASS, 1/2 FNPT X 1/2 NPT		
114	40898	2	FITTING, NIPPLE, HEX, BRASS, 1/2 NPT		
115	50038-1	1	GLADHAND, BLUE, ALUMINIUM		
116	50039-1	1	GLADHAND, RED, ALUMINIUM		
117	50165	1	HOSE, AIRLINE, GLADHAND, BLUE, 15 FT (SERVICE)		
118	50166	1	HOSE, AIRLINE, GLADHAND, RED, 15 FT (EMERGENCY)		
119	10356	1	SPRING, AIRLINE		
120	40080	1	CLAMP, TRAILER HOSE		
NOT SHOWN	40776	1	SWITCH, LOW AIR PRESSURE (70 PSI)		
NOT SHOWN	90873	1	BUZZER, LOW AIR WARNING (70 PSI)		
NOT SHOWN	61704	1	BRACKET, STAND OFF		
REV	DATE	BY	SHEET		4
B	10/19/2017	MPC	OF	4	

TICO MANUFACTURING - RIDGELAND, SC 29936

REV.	DESCRIPTION	ECN	DATE	APPROVED
A	PRODUCTION RELEASE	1023	1/21/10	HW
B	REVISED AIR TANKS ROUTING	1024	5/18/10	HW
C	LOW AIR WARNING SWITCH ADAPTA TO GAS	1024X	3/26/10	



DRAWN	HW	DATE	
CHECKED	RWC	1/21/10	
APPROVED			
DO NOT SCALE DRAWING THE SUBJECT MATTER SHOWN AND ANY INFORMATION CONTAINED HEREIN IS TO BE USED ONLY FOR THE PURPOSES SPECIFIED AND IS NOT TO BE REPRODUCED OR TRANSMITTED IN ANY FORM OR BY ANY MEANS, ELECTRONIC OR MECHANICAL, INCLUDING PHOTOCOPYING, RECORDING, OR BY ANY INFORMATION STORAGE AND RETRIEVAL SYSTEM, WITHOUT PERMISSION IN WRITING FROM TICO TOOL SERVICES, INC.			TITLE: AIR SCHEMATIC STANDARD BRAKE SYSTEM
SIZE	DWG. NO.	REV	
B	61697	C	
SCALE: 1/10	WEIGHT:	SHEET 1 OF 1	