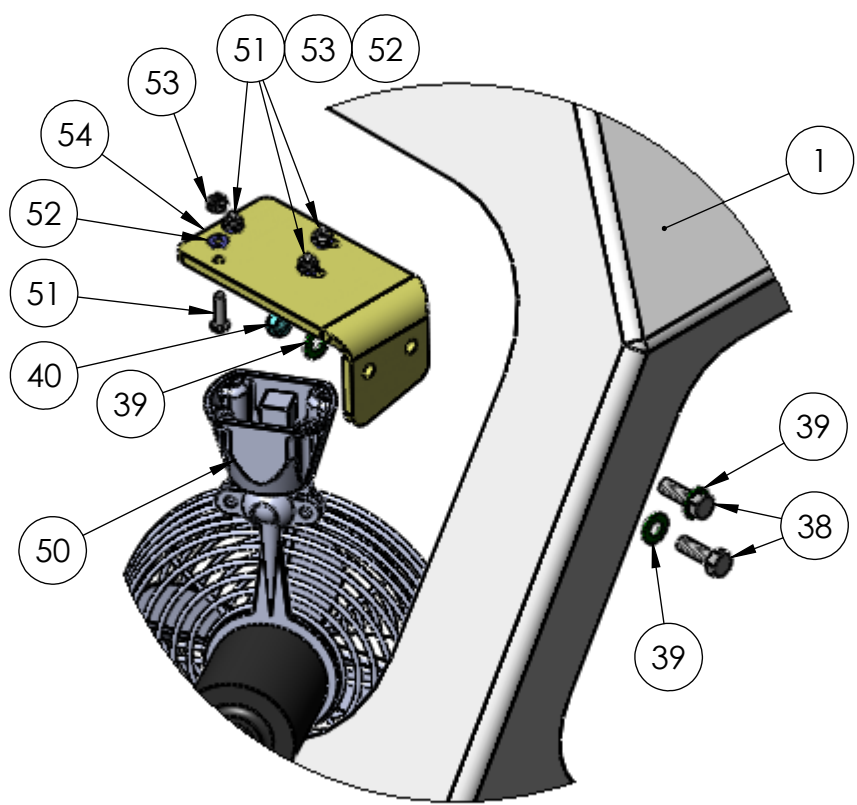
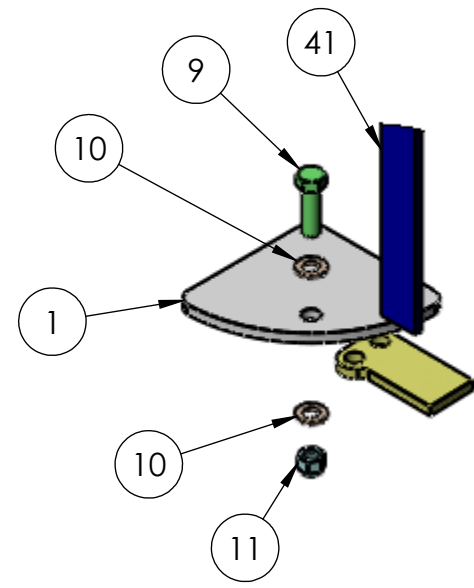


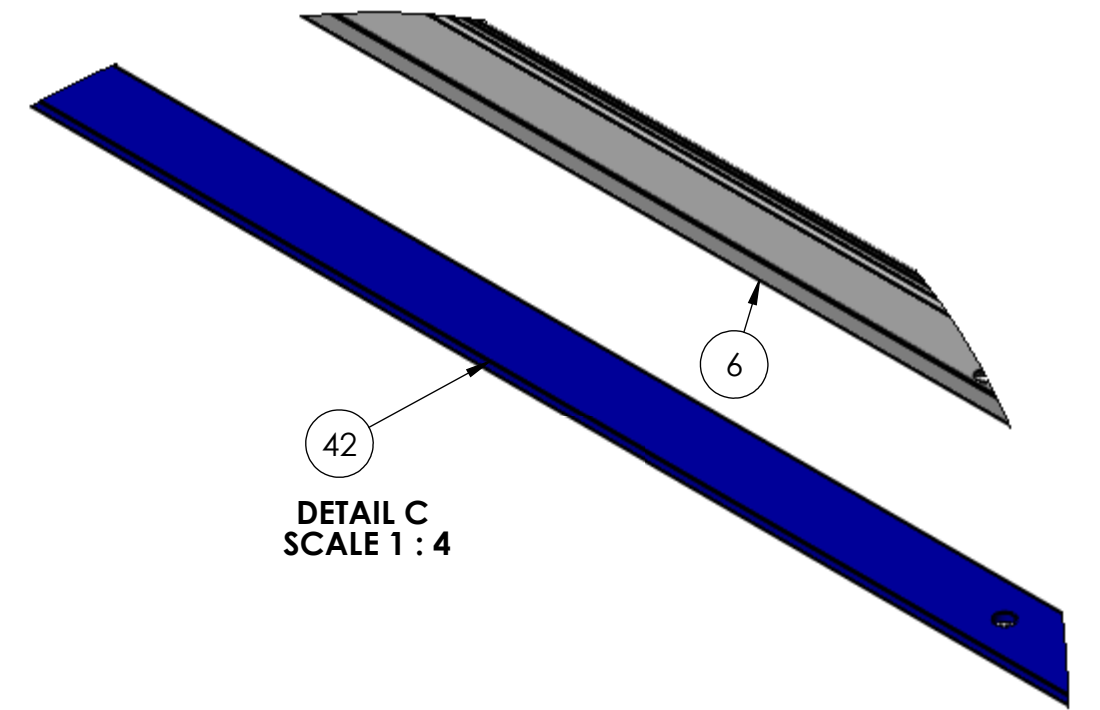
| TICO PRO-SPOTTER | | | | |
|------------------|----------|-----------------------------|--|--------|
| S/N: | | CAB ASSY - W/ 65" DOOR ASSY | | 71732 |
| ITEM | PART # | QTY/M | DESCRIPTION | TASK |
| | 71395-D1 | REF | CAB ASSEMBLY-65" CAB | |
| 1 | 91639 | 1 | ASSEMBLY, CAB, 65" DOOR | |
| 2 | 90007-1 | 1 | KIT, CAB SEAL, RUBBER | |
| 3 | 90193-1 | 1 | CHANNEL, CAB HOLD DOWN, FRONT | |
| 4 | 90193-3 | 1 | CHANNEL, CAB HOLD DOWN, LEFT | |
| 5 | 90193-2 | 1 | CHANNEL, CAB HOLD DOWN, RIGHT | |
| 6 | 90501 | 1 | CHANNEL, CAB HOLD DOWN, REAR | |
| 7 | 85090 | 21 | WASHER, 5/16 | |
| 8 | 85024 | 21 | NUT, NYLOCK, 5/16-18 NC | |
| 9 | 82383 | 4 | BOLT, HEX, 3/8-16 X 1 1/4" LG | |
| 10 | 85102 | 8 | WASHER, 3/8 | |
| 11 | 85025 | 4 | NUT, NYLOCK, 3/8-16 NC | |
| 12 | 91558 | 2 | GLASS, SIDE, UPPER | |
| 13 | 90425 | 1 | GLASS, REAR | |
| 14 | 91616 | 1 | ASSEMBLY, WINDOW, SLIDING, RIGHT SIDE, TWO PANEL | |
| 15 | 90420 | 1 | WINDSHIELD, FRONT | |
| 16 | 91617 | 1 | ASSEMBLY, WINDOW, SLIDING, LEFT SIDE, TWO PANEL | |
| 17 | 90421 | 1 | GLASS, FRONT, UPPER | |
| 18 | 90521-1 | 88 IN | SEAL, RUBBER, WINDOW, BACK | |
| 19 | 90521-2 | 130 IN | SEAL, RUBBER, WINDOW, FRONT, UPPER | |
| 20 | 90521-3 | 2 X 85 IN | SEAL, RUBBER, WINDOW, SIDE, UPPER | |
| 21 | 90521-4 | 2 X 142 IN | SEAL, RUBBER, WINDOW, SIDE, LOWER | |
| 22 | 90521-5 | 164 IN | SEAL, RUBBER, WINDSHIELD | |
| 23 | 90522 | 70 FT | LOCK STRIP, RUBBER | |
| 24 | 91632 | 1 | KIT, WINDSHIELD WIPER, 22" | |
| 25 | 82381 | 6 | BOLT, HEX, 1/4-20 X 1 1/4 LG | |
| 26 | 82359 | 1 | BOLT, HEX, 1/4-20 X 3/4 LG | |
| 27 | 85089 | 7 | WASHER, FLAT, 1/4 | |
| 28 | 85023 | 4 | NUT, NYLOCK, 1/4-20 | |
| 29 | 90180 | 1 | VENT, SIDE | |
| 30 | 80291 | 28 | SCREW, PSM, BLACK, 10-32 X 1 1/4" LG | |
| 31 | 90774 | 1 | COVER, LOUVER, HEATER BOX COVER | |
| 32 | 90775 | 1 | COVER, SIDE WALL PANEL | |
| 33 | 90778 | 1 | HOLDER, DOCUMENT | |
| 34 | 90773 | 1 | COVER, HEATER | |
| 35 | 90505 | 1 | FILTER, HEATER | |
| 36 | 80292 | 20 | SCREW, PSM, 10-32 X 1" LG | |
| REV | DATE | BY | | SHEET |
| | | | | 1 OF 2 |



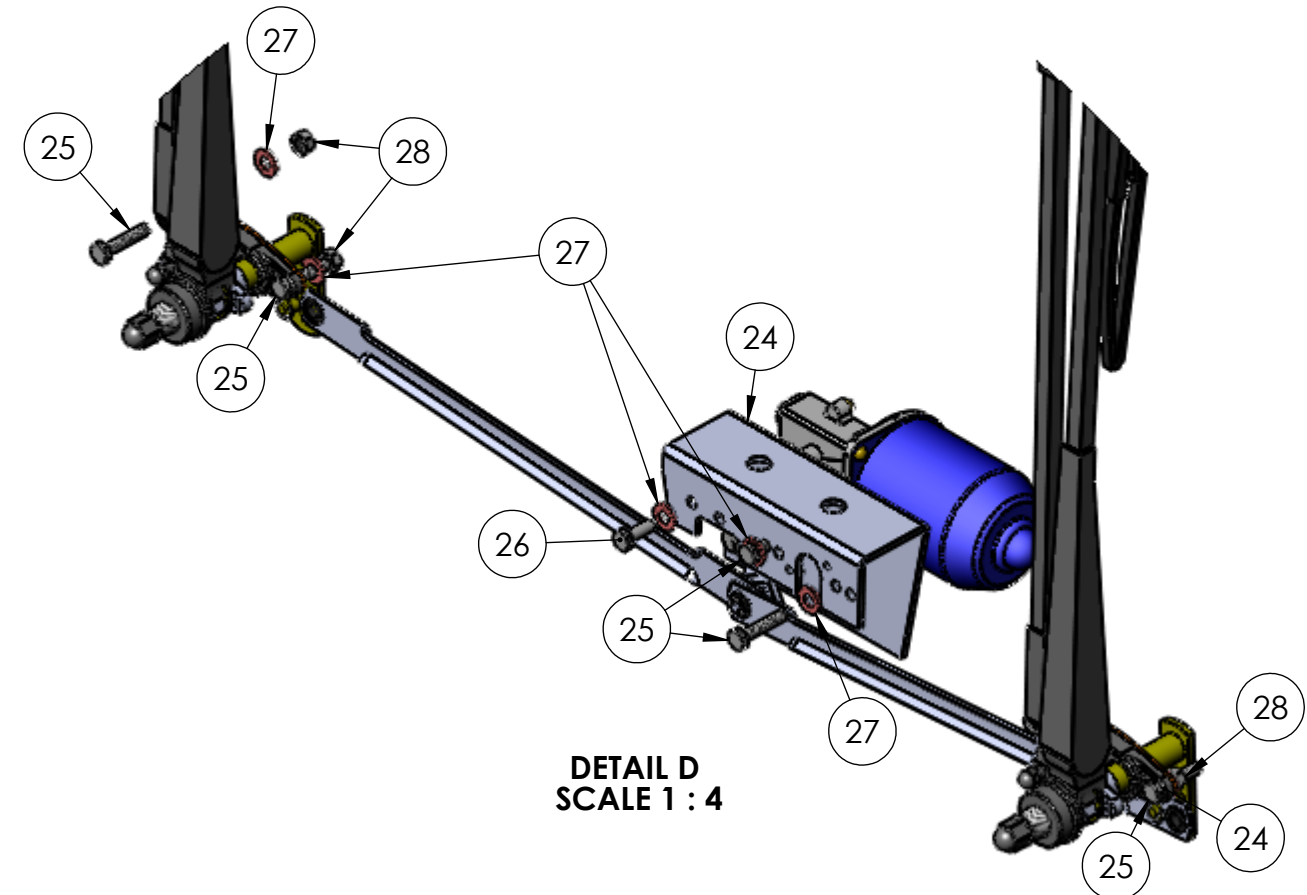
DETAIL A
SCALE 1 : 4



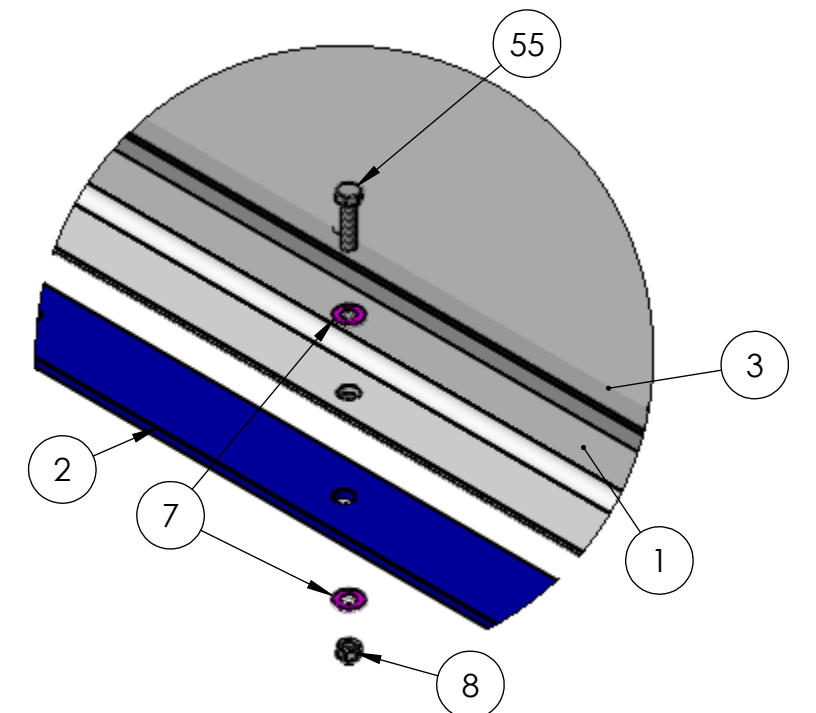
DETAIL B
SCALE 1 : 4



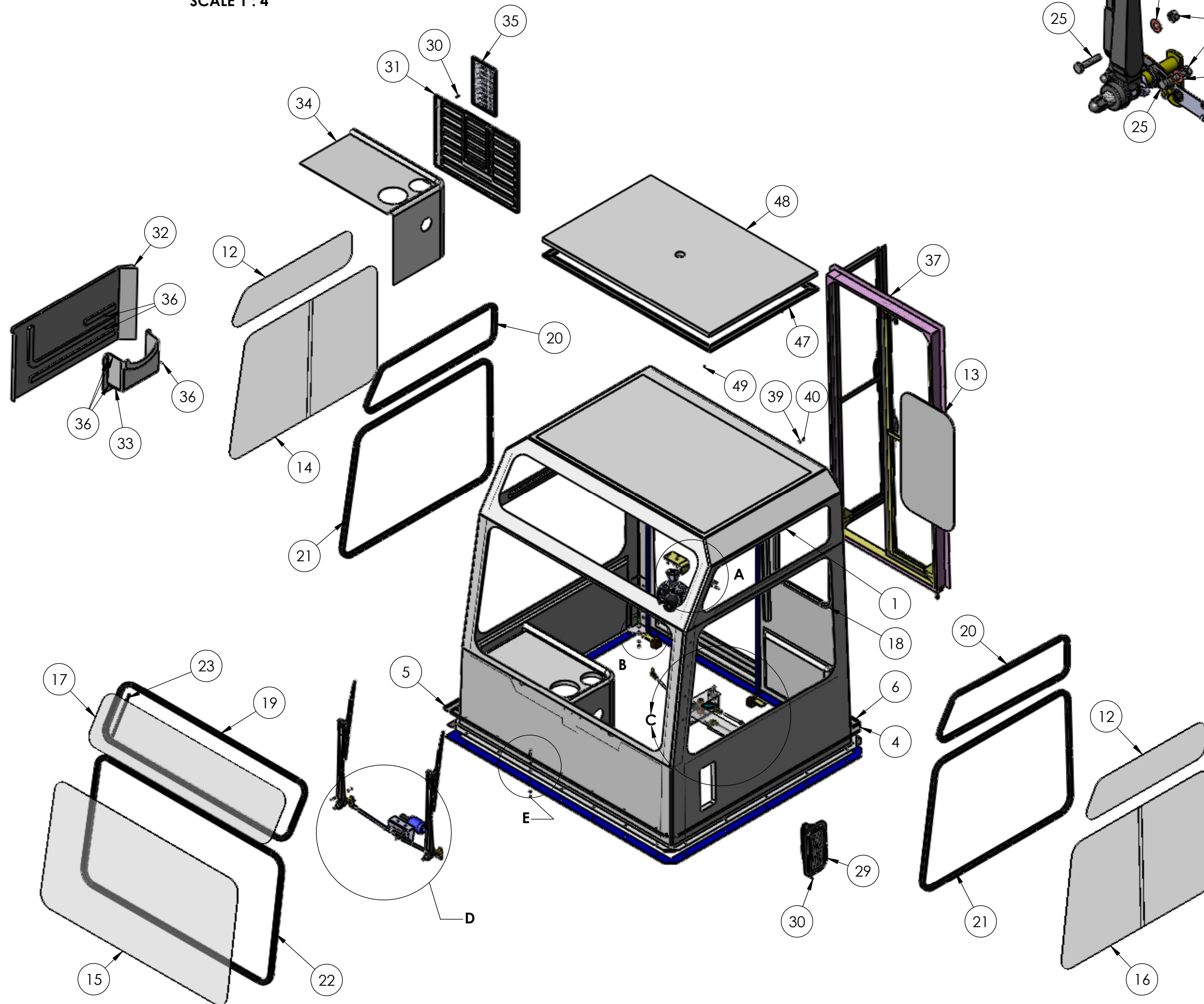
DETAIL C
SCALE 1 : 4



DETAIL D
SCALE 1 : 4



DETAIL E
SCALE 1 : 4



| | | | | | |
|--|--|----------------------|------|--|---------|
| DIMENSIONS ARE IN INCHES | | NAME | DATE | TICO/TERMINAL SERVICE 66 CYPRESS RIDGE DR. RIDGELAND, SC 29936 (843) 717-2226 | |
| TOLERANCES: | | DRAWN | RWC | | 7/16/12 |
| DECIMAL: | | CHECKED | | | |
| X.X ± 0.1250 | | APPROVED | | TITLE: | |
| X.XX ± 0.0625 | | DO NOT SCALE DRAWING | | CAB ASSY - 65" CAB | |
| X.XXX ± 0.0313 | | | | SIZE DWG. NO. REV | |
| ANGULAR: ± 1° | | | | C 71395-D1 D1 | |
| FRACTIONAL: ± 1/16" | | | | SCALE: 1:18 SHEET 1 OF 1 | |
| INTERPRET GEOMETRIC TOLERANCING PER: ASME 14.5M-1994 | | | | | |
| MATERIAL | | | | | |
| FINISH | | | | | |
| THICKNESS | | | | | |