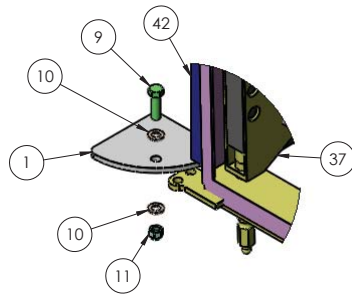
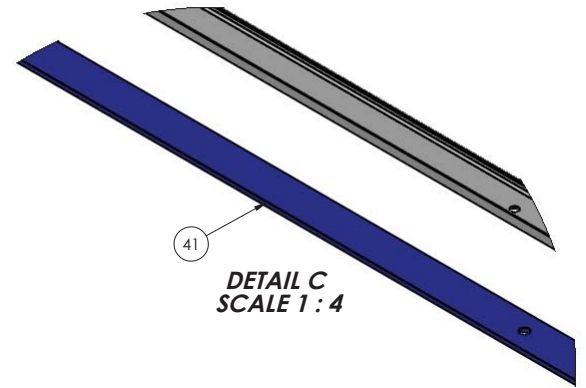


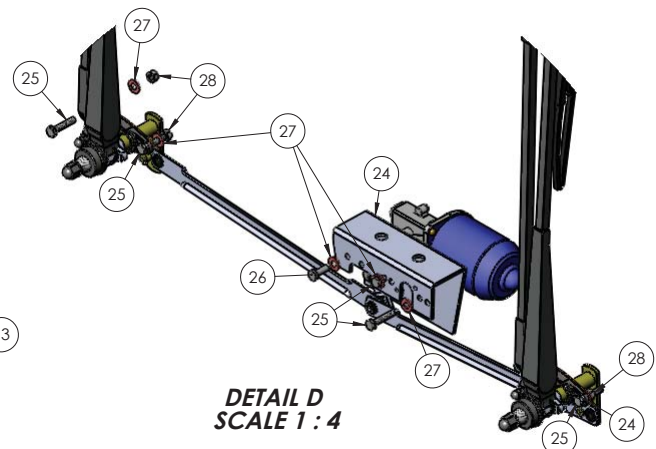
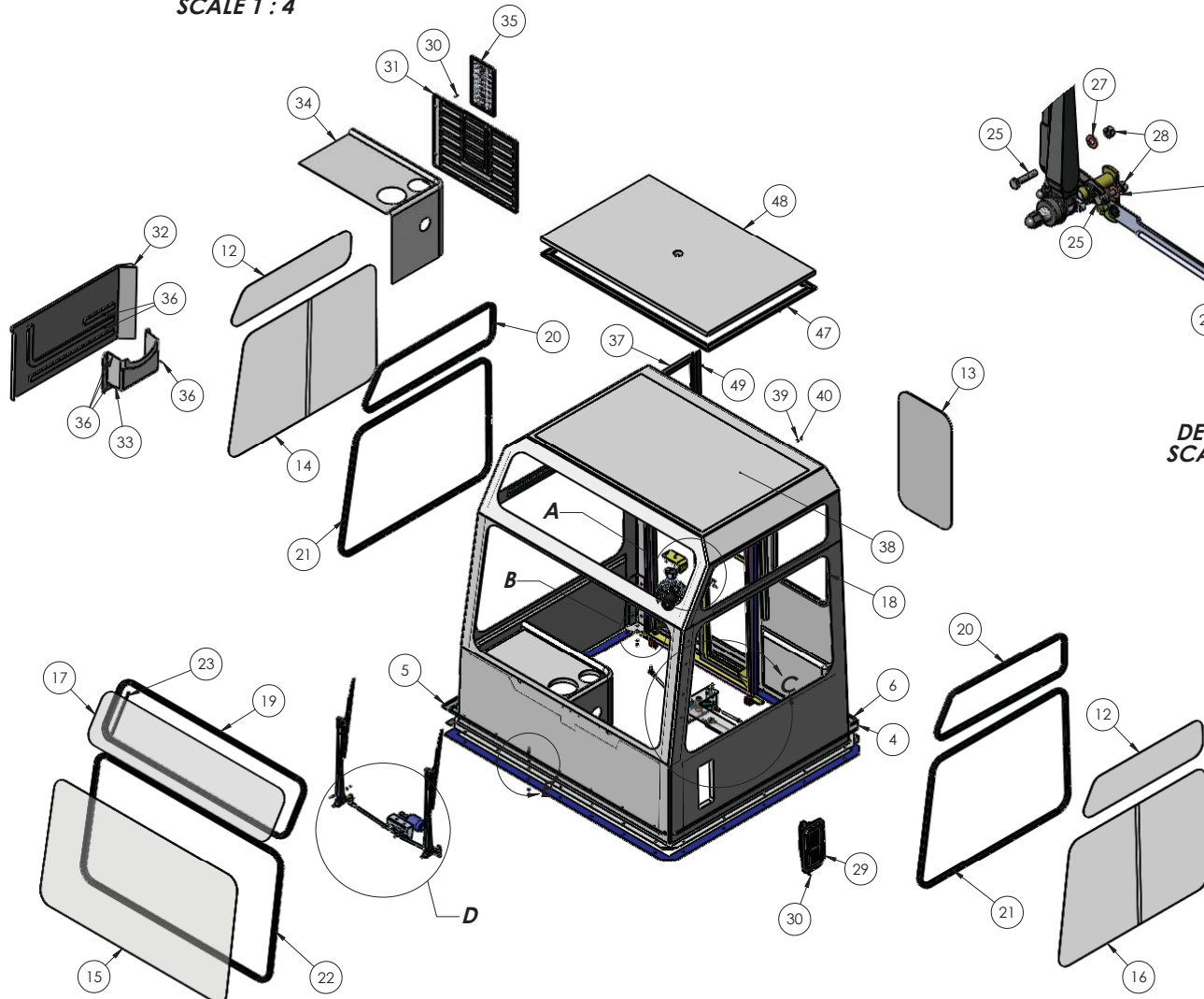
**DETAIL A  
SCALE 1 : 4**



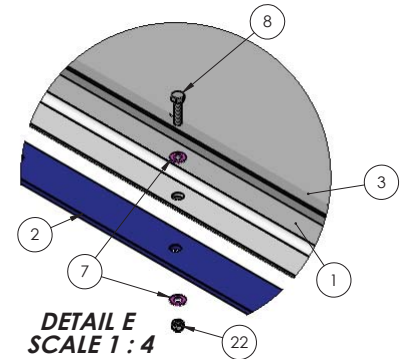
**DETAIL B  
SCALE 1 : 4**



**DETAIL C  
SCALE 1 : 4**



**DETAIL D  
SCALE 1 : 4**



**DETAIL E  
SCALE 1 : 4**

DIMENSIONS ARE IN INCHES		NAME	DATE	TICO/TERMINAL SERVICE 66 CYPRESS RIDGE DR. RIDGELAND, SC 29936 (843) 717-2226
TOLERANCES:		DRAWN	RWC	
DECIMAL:		CHECKED		
.XX ± 0.1250 .XXX ± 0.0625 .XXXX ± 0.0313 ANGULAR: ± 1° FRACTIONAL: ± 1/16"		APPROVED		
INTERPRET GEOMETRIC TOLERANCING PER: ASME 14.5M-1994		DO NOT SCALE DRAWING		TITLE:
MATERIAL		THE SUBJECT MATTER SHOWN AND DESCRIBED IN THIS DRAWING AND ANY OTHER INFORMATION ADVANCED IN CONNECTION THEREWITH IS PROPRIETARY PROPERTY AND IS TO BE HELD IN STRICT CONFIDENCE BY YOU. ALL RIGHTS TO ANY INVENTIONS, DESIGNS, TRADE MARKS, TRADE NAMES AND COPYRIGHTS DISCLOSED ARE RESERVED TO TICO TERMINAL SERVICES, INC.		CAB ASSY - 68" CAB SIZE DWG. NO. <b>C</b> 71702-A1 REV <b>D1</b>
FINISH		SCALE: 1:18		SHEET 1 OF 1
THICKNESS				

TICO PRO-SPOTTER				
S/N:		CAB ASSY - 65" HEX SHAFT DR W/LOCK, 22" WIPER		71702
ITEM	PART #	QTY/M	DESCRIPTION	TASK
	71702-A1	REF	CAB ASSEMBLY, 68" CAB	
1	91540	1	CAB ASSEMBLY, 68" DOOR	
2	90007-1	1	CAB SEAL KIT, RUBBER	
3	90193-1	1	CHANNEL, CAB HOLD DOWN, FRONT	
4	90193-2	1	CHANNEL, CAB HOLD DOWN, LEFT	
5	90193-3	1	CHANNEL, CAB HOLD DOWN, RIGHT	
6	90501	1	CHANNEL, CAB HOLD DOWN, REAR	
7	80313	21	WASHER, 5/16, SS	
8	80319	21	NUT, NYLOCK, 5/16-18 NC	
9	82383	4	BOLT, HEX 3/8-16 X 1 1/4" LG	
10	85102	8	WASHER, 3/8	
11	85025	4	LOCKNUT, NYLOCK, 3/8-16 NC	
12	90424	2	GLASS, SIDE UPPER	
13	90425	1	GLASS, BACK	
14	90423	1	WINDOW, RH	
15	90420	1	WINDSHIELD, FRONT	
16	90422	1	WINDOW, LH	
17	90421	1	GLASS, FRONT, UPPER	
18	90521-1	1	SEAL RUBBER, WINDOW, BACK	
19	90521-2	1	SEAL RUBBER, WINDOW, FRONT, UPPER	
20	90521-3	2	SEAL RUBBER, WINDOW, SIDE, UPPER	
21	90521-4	2	SEAL RUBBER, WINDOW, SIDE, UPPER	
22	90521-5	1	SEAL RUBBER, WINDSHIELD	
23	90522	70 FT	LOCK STRIP, RUBBER	
24	91632	1	WIPER MOTOR KIT, 22" BLADE	
25	82381	6	BOLT, HEX, 1/4-20 X 1 1/4 LG	
26	82359	1	BOLT, HEX, 1/4-20 X 3/4 LG	
27	85089	7	WASHER, FLAT, 1/4	
28	85023	4	LOCKNUT, NYLOK, 1/4-20	
29	90180	1	VENT, SIDE	
30	80291	28	SCREW, PSM BLACK, 10-32 X 1 1/4" LG	
31	90774	1	COVER, HEATER BOX, LOUVER	
32	90775	1	COVER, PANEL, SIDE WALL	
33	90778	1	HOLDER, DOCUMENT	
34	90773	1	COVER, HEATER	
35	90505	1	FILTER, HEATER	
36	80292	20	SCREW, PSM, 10-32 X 1" LG	
REV	DATE	BY		SHEET
				1 OF 2

