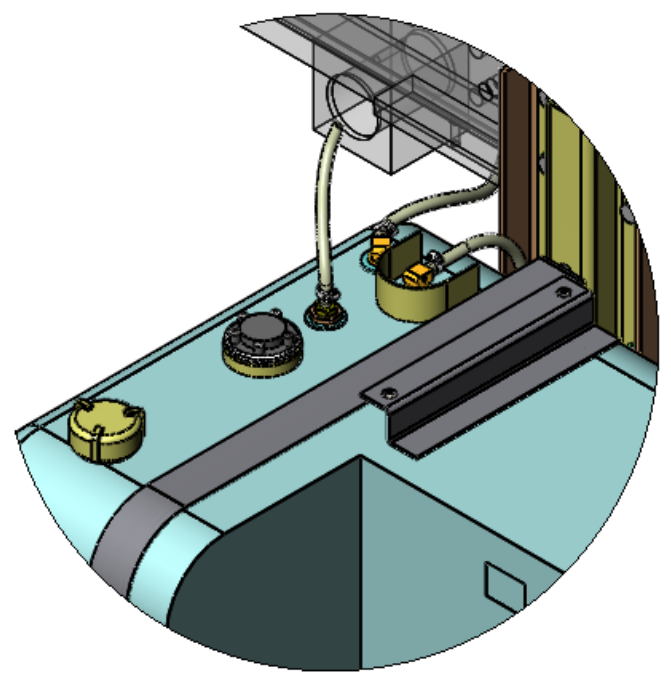
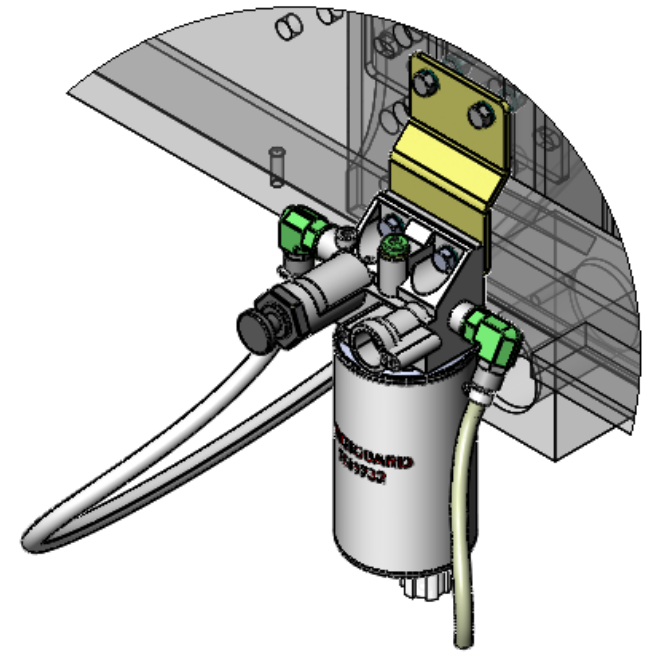
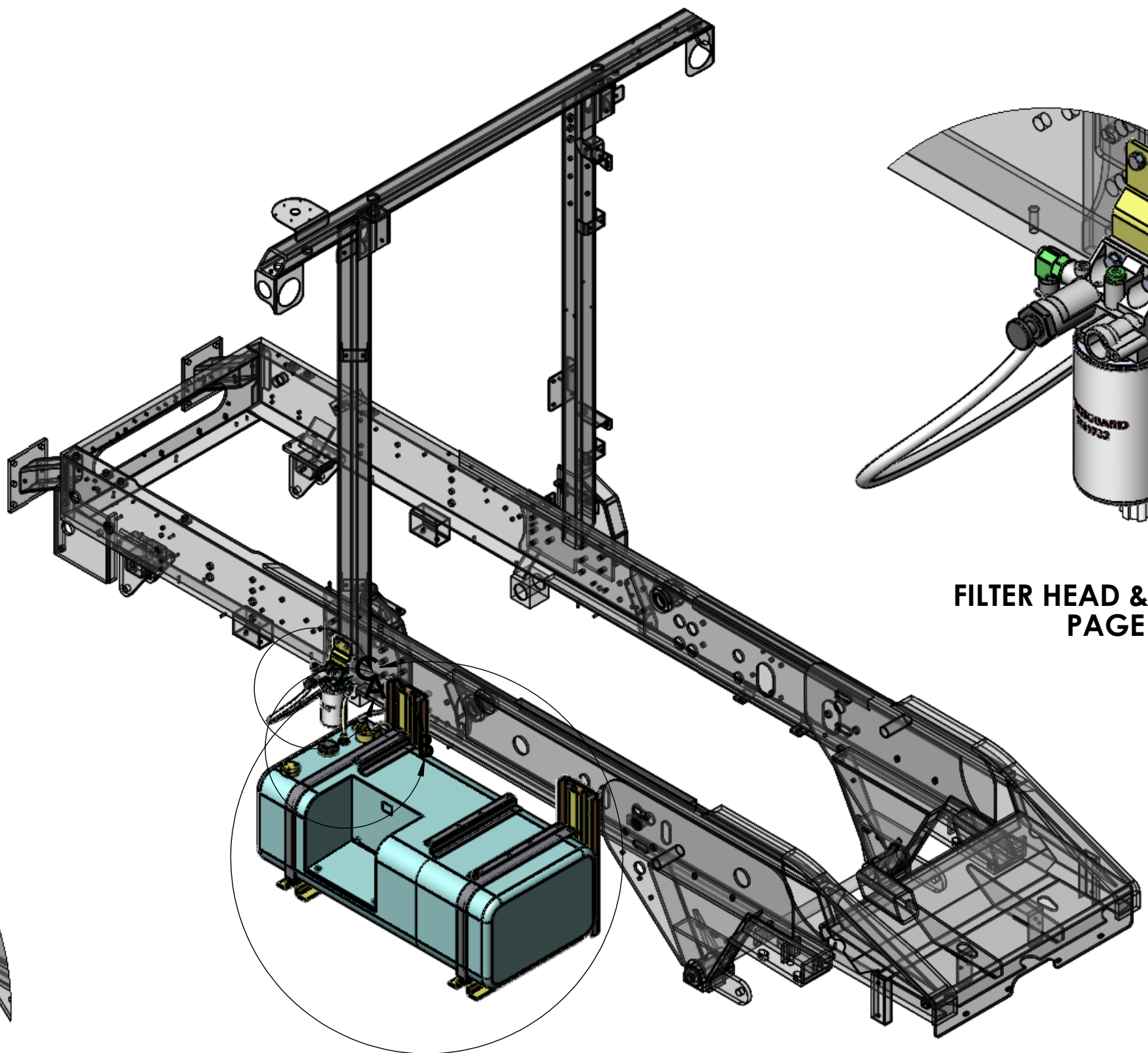


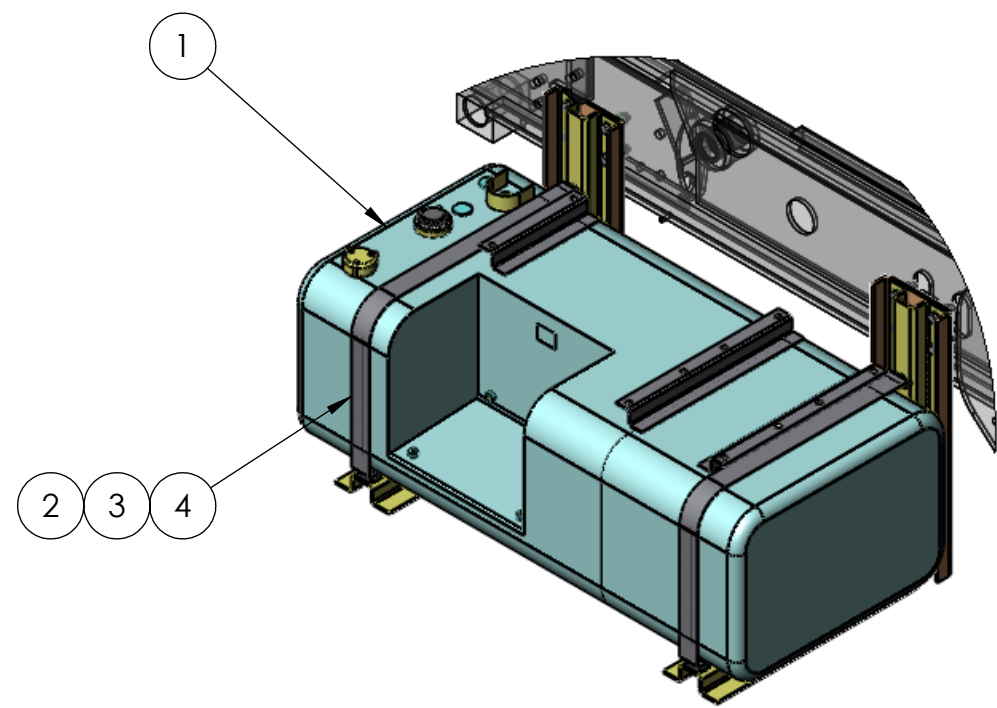
8 7 6 5 4 3 2 1




**TANK FITTINGS & HOSES
PAGE 3**



**FILTER HEAD & BRACKET
PAGE 3**



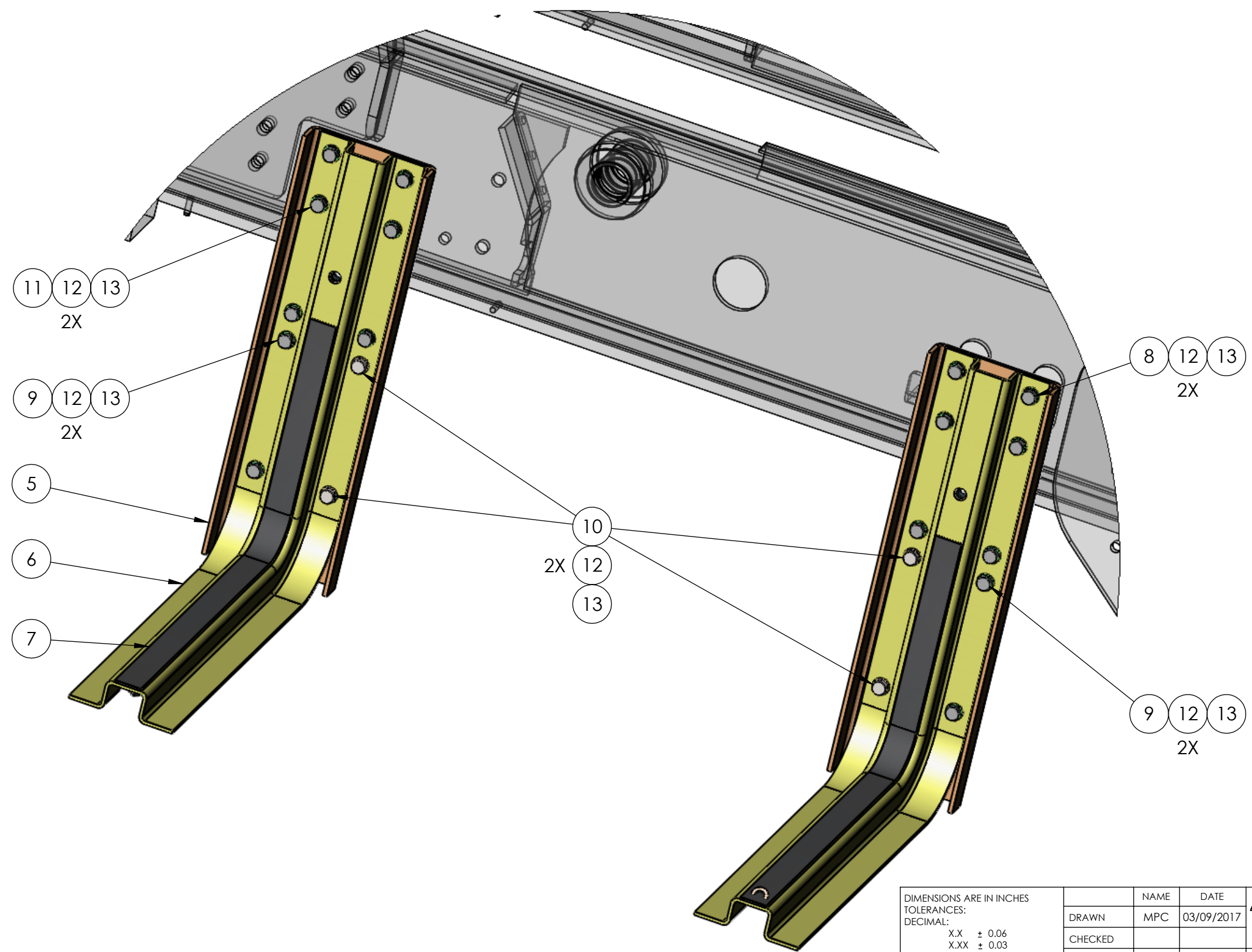
**FUEL TANK MOUNTING BRACKETS
PAGE 2**


DIMENSIONS ARE IN INCHES		NAME	DATE	 TICO/TERMINAL SERVICE 66 CYPRESS RIDGE DR. RIDGELAND, SC 29936 (843) 717-2226
TOLERANCES:		DRAWN	MPC 03/09/2017	
DECIMAL:		CHECKED		
X.X ± 0.06		APPROVED		TITLE: ASSEMBLY, FUEL TANK & SYSTEM
X.XX ± 0.03		DO NOT SCALE DRAWING		
X.XXX ± 0.005				SIZE DWG. NO. REV B 71700-D1
ANGULAR: ± 0.5°				SCALE: 1:64 WEIGHT: 3431.76 SHEET 1 OF 3
FRACTIONAL ± 1/32"				
INTERPRET GEOMETRIC TOLERANCING PER: ASME 14.5M-1994		THE SUBJECT MATTER SHOWN AND DESCRIBED IN THIS DRAWING AND ANY OTHER INFORMATION ADVANCED IN CONNECTION THEREWITH, IS PROPRIETARY PROPERTY AND IS TO BE HELD IN STRICT CONFIDENCE BY YOU. ALL RIGHTS TO ANY INVENTIONS, DESIGNS, TRADE MARKS, TRADE NAMES AND COPYRIGHTS DISCLOSED ARE RESERVED TO TICO TERMINAL SERVICES, INC.		
MATERIAL				
FINISH				
THICKNESS				

8 7 6 5 4 3 2 1

8 7 6 5 4 3 2 1

D
C
B
A



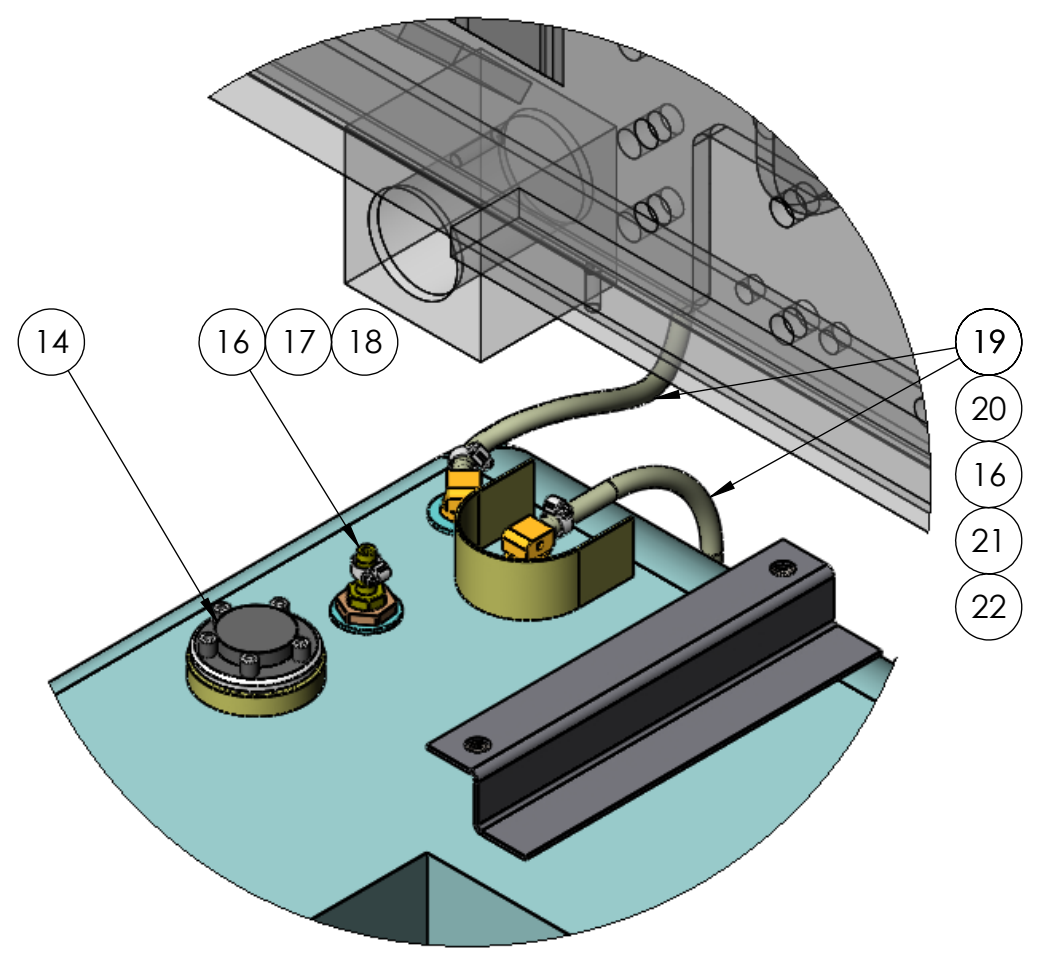
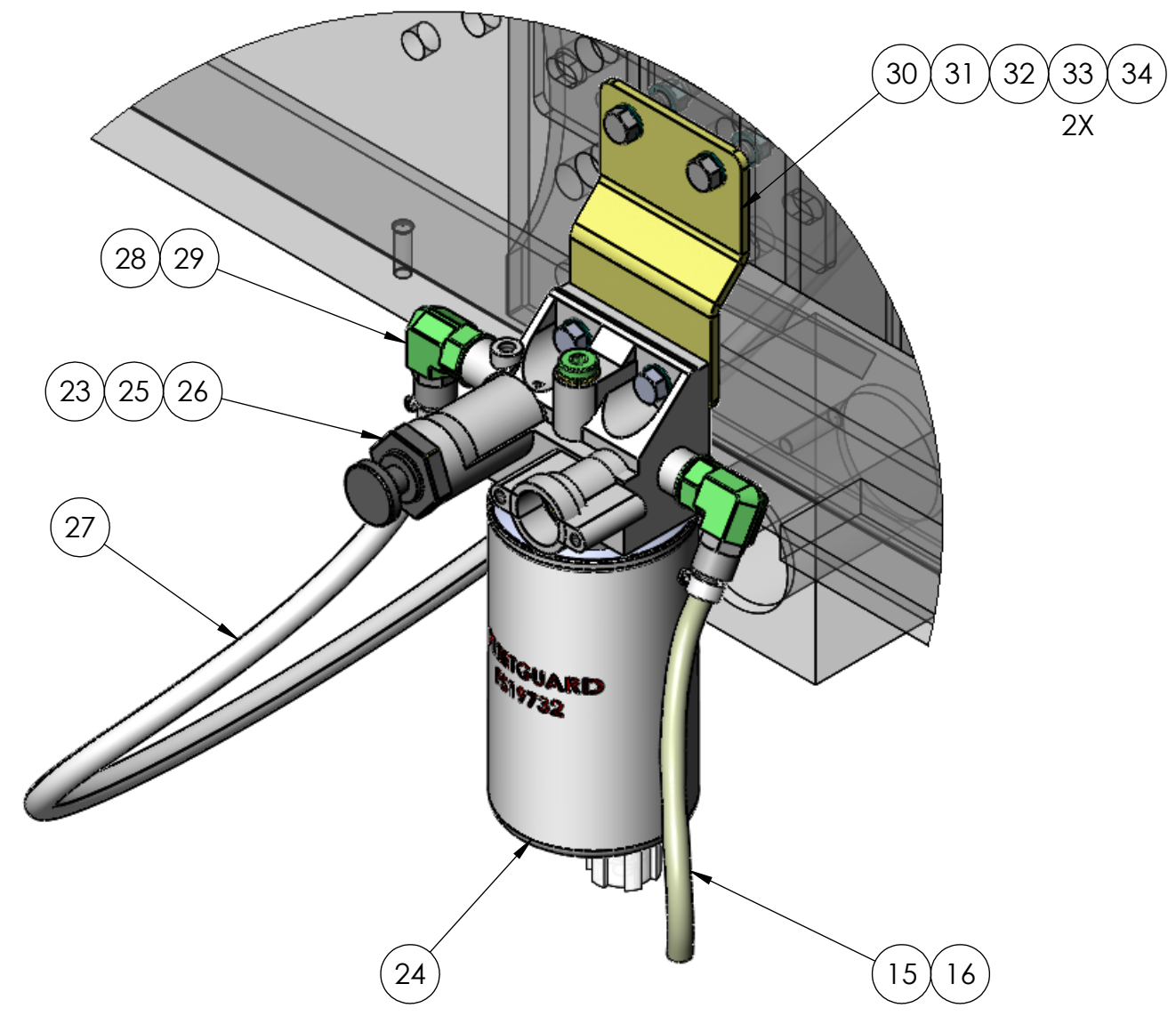
DIMENSIONS ARE IN INCHES		NAME	DATE	 TICO/TERMINAL SERVICE 66 CYPRESS RIDGE DR. RIDGELAND, SC 29936 (843) 717-2226
TOLERANCES:		DRAWN	MPC 03/09/2017	
DECIMAL:		CHECKED		
X.X ± 0.06 X.XX ± 0.03 X.XXX ± 0.005 ANGULAR: ± 0.5° FRACTIONAL ± 1/32"		APPROVED		
INTERPRET GEOMETRIC TOLERANCING PER: ASME 14.5M-1994		DO NOT SCALE DRAWING		TITLE: ASSEMBLY, FUEL TANK & SYSTEM
MATERIAL		THE SUBJECT MATTER SHOWN AND DESCRIBED IN THIS DRAWING AND ANY OTHER INFORMATION ADVANCED IN CONNECTION THEREWITH, IS PROPRIETARY PROPERTY AND IS TO BE HELD IN STRICT CONFIDENCE BY YOU. ALL RIGHTS TO ANY INVENTIONS, DESIGNS, TRADE MARKS, TRADE NAMES AND COPYRIGHTS DISCLOSED ARE RESERVED TO TICO TERMINAL SERVICES, INC.		SIZE: B
FINISH				DWG. NO. 71700-D1
THICKNESS				REV
		SCALE: 1:64		WEIGHT: 3431.76
				SHEET 2 OF 3


8 7 6 5 4 3 2 1

8 7 6 5 4 3 2 1

D
C
B
A

D
C
B
A



DIMENSIONS ARE IN INCHES TOLERANCES: DECIMAL: X.X ± 0.06 X.XX ± 0.03 X.XXX ± 0.005 ANGULAR: ± 0.5° FRACTIONAL ± 1/32"	NAME	DATE	 TICO/TERMINAL SERVICE 66 CYPRESS RIDGE DR. RIDGELAND, SC 29936 (843) 717-2226	
	DRAWN	MPC		03/09/2017
	CHECKED			
	APPROVED			
INTERPRET GEOMETRIC TOLERANCING PER: ASME 14.5M-1994	DO NOT SCALE DRAWING		TITLE: ASSEMBLY, FUEL TANK & SYSTEM	
MATERIAL	THE SUBJECT MATTER SHOWN AND DESCRIBED IN THIS DRAWING AND ANY OTHER INFORMATION ADVANCED IN CONNECTION THEREWITH, IS PROPRIETARY PROPERTY AND IS TO BE HELD IN STRICT CONFIDENCE BY YOU. ALL RIGHTS TO ANY INVENTIONS, DESIGNS, TRADE MARKS, TRADE NAMES AND COPYRIGHTS DISCLOSED ARE RESERVED TO TICO TERMINAL SERVICES, INC.		SIZE B DWG. NO. 71700-D1 REV	
FINISH			SCALE: 1:64	
THICKNESS			WEIGHT: 3431.76	
			SHEET 3 OF 3	

8 7 6 5 4 3 2 1

TICO PRO-SPOTTER				
S/N:		ASSEMBLY, FUEL TANK, 65 GALLON		71700
ITEM	PART #	QTY/M	DESCRIPTION	
	71700-D1	REF	ASSEMBLY, FUEL TANK, 65 GALLON	
1	20177	1	FUEL TANK, 65 GALLON	
2	20179	2	HOLDING STRAP, FUEL TANK	
3	85093	8	WASHER, FLAT, 1/2	
4	85027	8	LOCKNUT, NYLON, 1/2-13	
5	12406	2	CHANNEL BRACKET, FUEL TANK	
6	20175	2	MOUNT BRACKET, FUEL TANK	
7	20171	2	PAD, RUBBER, FUEL TANK BRACKET, 1/8 X 1-1/2	
8	82418	4	BOLT, HEX HEAD, 1/2-13 X 2 LONG	
9	82396	8	BOLT, HEX HEAD, 1/2-13 X 1-1/2 LONG	
10	82407	4	BOLT, HEX HEAD, 1/2-13 X 1-3/4 LONG	
11	82429	4	BOLT, HEX HEAD, 1/2-13 X 2-1/4 LONG	
12	85093	40	WASHER, FLAT, 1/2	
13	85027	20	LOCKNUT, NYLON, 1/2-13	
14	20169	1	SENDER FUEL, 240-33 OHM, NO-FLOAT	
15	41000	12 IN	HOSE, FUEL, 5/16 (TANK TO FILTER)	
16	24110	6	CLAMP, HOSE, 1/4 TO 5/8	
17	42053	1	FITTING, REDUCER, 3/4 NPT X 3/8 NPT	
18	42140	1	FITTING, STRAIGHT, 3/8 NPT X 5/16 BARB	
19	41000	24 IN	HOSE, FUEL, 5/16 (TANK TO ENGINE)	
20	41000	12 IN	HOSE, FUEL, 5/16 (OVERFLOW)	
21	42095	2	FITTING, REDUCER, 1/2 NPT X 3/8 NPT	
22	42139	2	FITTING, ELBOW, 90°, 3/8 NPT X 5/16 BARB	
23	91174	REF	FILTER, HEAD, PRIME PUMP (FURNISHED WITH ENGINE)	
24	60958	REF	FILTER FUEL/WATER SEPARATOR (FURNISHED WITH ENGINE)	
25	60959-1	1	PLUG, THREADED (FURNISHED WITH 60959)	
26	60959-2	1	WASHER, SEALING (FURNISHED WITH 60959)	
27	41177	1	HOSE, FUEL, 5/16 (FUNISHED WITH ENGINE)	
28	42142	2	FITTING, HOSE, SWIVEL, 1/4 BARB X 1/4 JIC	
29	42138	2	FITTING, ELBOW, 90°, 12 MM O-RING X 1/4 JIC	
30	12065	1	BRACKET, FUEL FILTER	
31	82405	2	BOLT, HEX HEAD, 3/8-16 X 1-3/4 (BRACKET TO CAB BAR)	
32	82383	2	BOLT, HEX HEAD, 3/8-16 X 1-1/4 (FUEL HEAD TO BRACKET)	
33	85091	8	WASHER, FLAT, 3/8	
34	85025	4	LOCKNUT, NYLON, 3/8-16	
NOT SHOWN	61883	1	BRACKET, STANDOFF	
REV	DATE	BY		SHEET
D	03/08/2017	MPC		1 OF 1

TICO MANUFACTURING - RIDGELAND, SC 29936