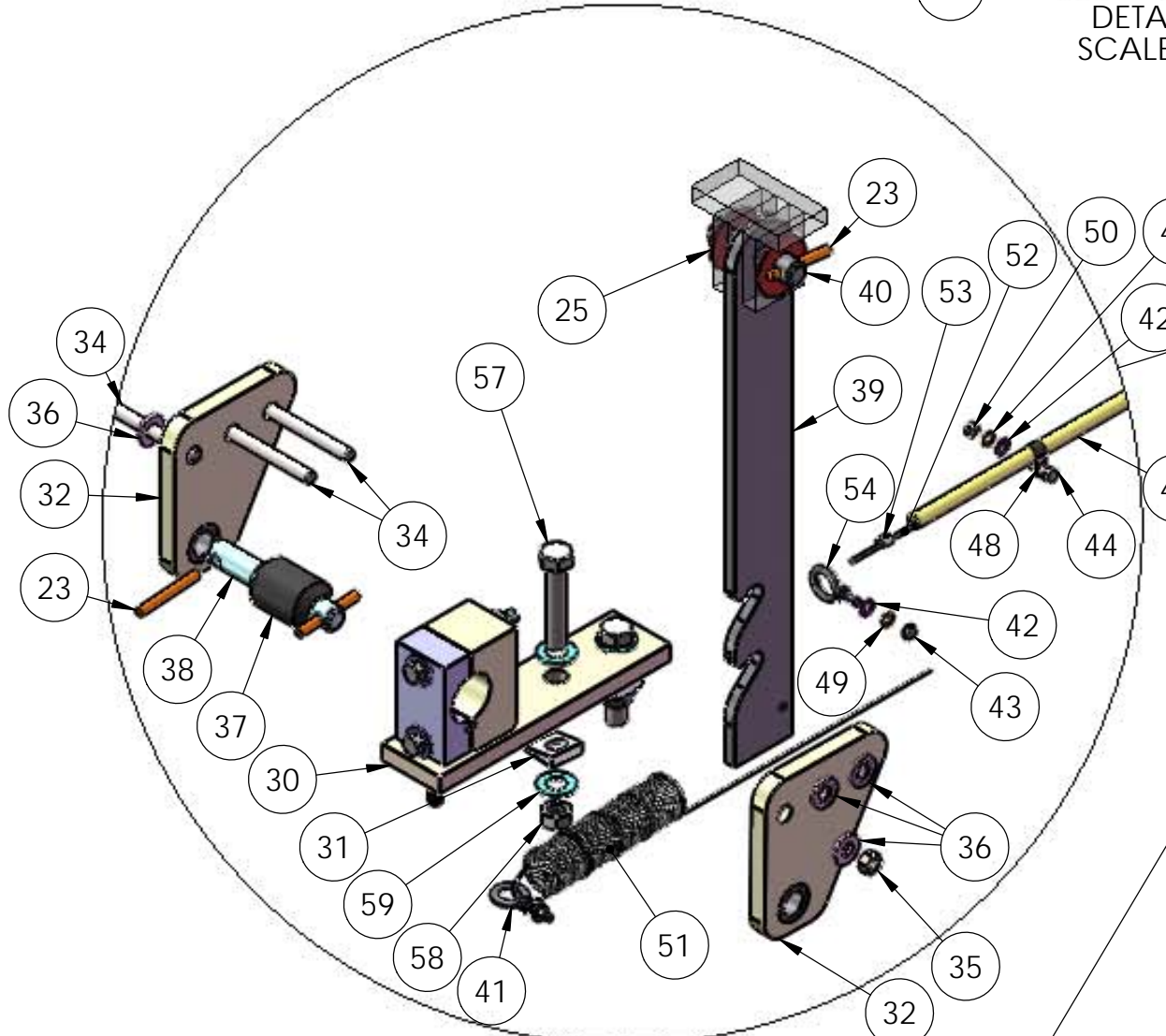
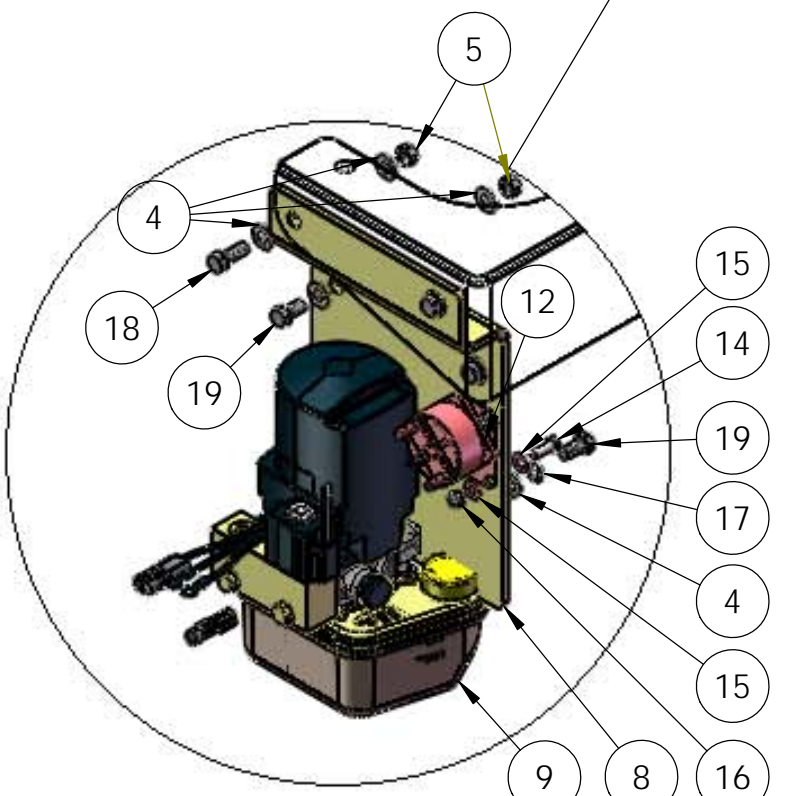


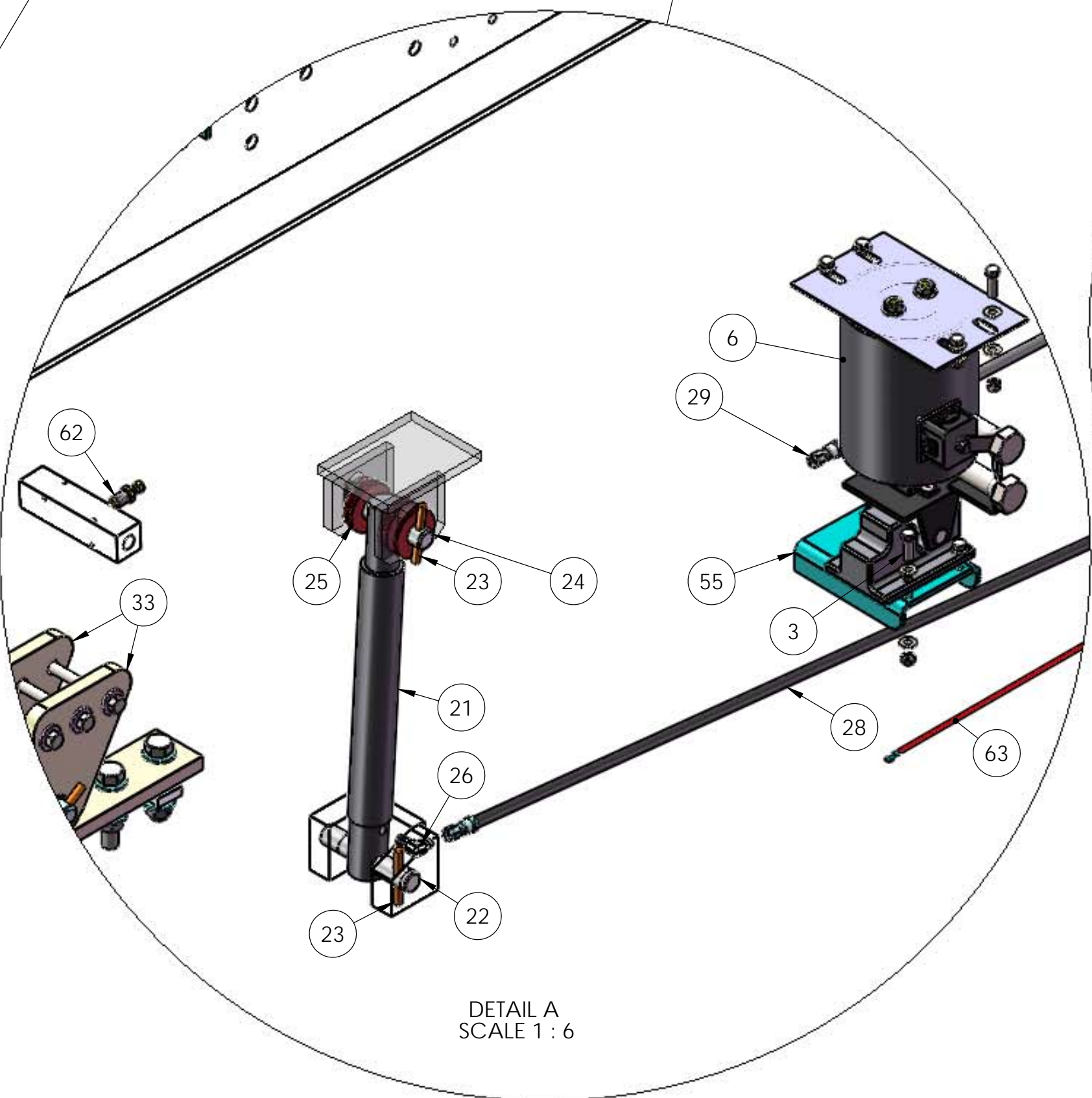
DETAIL D
SCALE 1 : 6



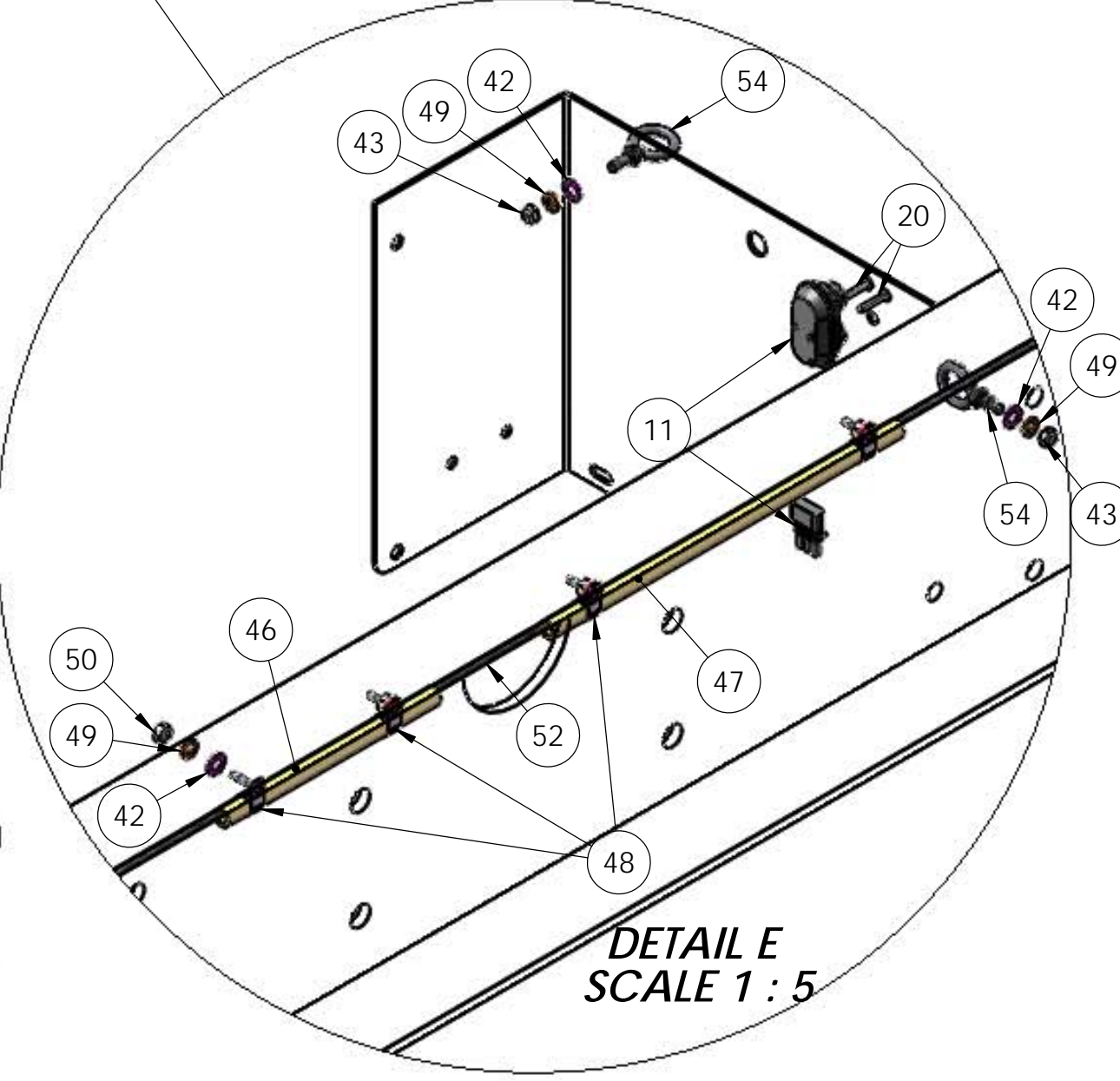
DETAIL C
SCALE 1 : 7



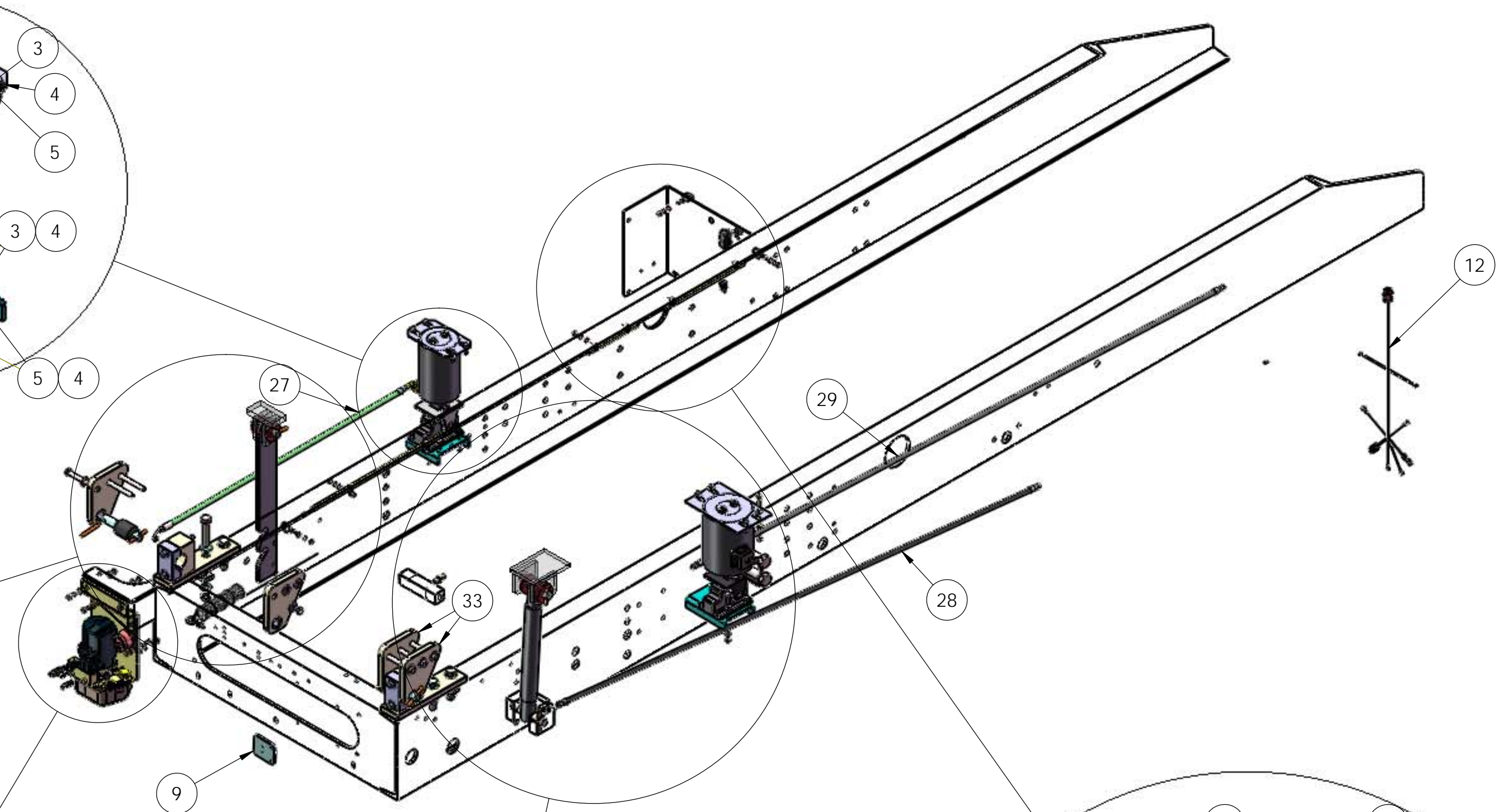
DETAIL B
SCALE 1 : 6



DETAIL A
SCALE 1 : 6



DETAIL E
SCALE 1 : 5



DIMENSIONS ARE IN INCHES		NAME	DATE	TICO/TERMINAL SERVICE 66 CYPRESS RIDGE DR. RIDGELAND, SC 29936 (843) 717-2226	
TOLERANCES:		DRAWN	WHC		8/06/12
DECIMAL:		CHECKED			
.XX ± 0.06 .XXX ± 0.03 .XXXX ± 0.005		APPROVED			
ANGULAR:		DO NOT SCALE DRAWING			
FRACTIONAL:		THE SUBJECT MATTER SHOWN AND DESCRIBED IN THIS DRAWING AND ANY OTHER INFORMATION ADVANCED IN CONNECTION THEREWITH IS PROPRIETARY PROPERTY AND IS TO BE HELD IN STRICT CONFIDENCE BY YOU. ALL RIGHTS TO ANY INVENTIONS, DESIGNS, TRADE MARKS, TRADE NAMES AND COPYRIGHTS DISCLOSED ARE RESERVED TO TICO TERMINAL SERVICES, INC.			
INTERPRET GEOMETRIC TOLERANCING PER: ASME 14.5M-1994		TITLE:		CAB CUSHION, PIVOT & CAB LIFT PUMP	
MATERIAL		SIZE	DWG. NO.	REV	
FINISH		C	71672-H1	F1	
THICKNESS		SCALE: 1:12		SHEET 1 OF 1	

TICO PRO-SPOTTER				
S/N:		CAB CUSHION, PIVOT & CAB LIFT PUMP		71672
ITEM	PART #	QTY/M	DESCRIPTION	TASK/REV
	71672-H1	REF	CAB CUSHION, PIVOT & CAB LIFT PUMP	
1	30096-1	2	LATCH, CAB CUSHION, AIR RIDE	
2	30096-5	4	WASHER, BUSHING RETAINER, CAB CUSHION	
3	82383	16	BOLT, HEX, 3/8-16 X 1 1/4 LG	
4	85113	44	WASHER, 3/8	
5	85025	20	NUT, NYLOCK, 3/8	
	30096	1	AIR BAG KIT	
6	30096-2	1	ASSEMBLY, AIRBAG, LARGE	
7	30096-3	1	ASSEMBLY, AIRBAG, SMALL	
8	20180	1	BRACKET, CAB LIFT PUMP, FRONT MNT	
9	42057	1	PUMP, HYDRAULIC/ELECTRIC MOTOR, CA	
10	12244	1	MOUNT, CAB TILT SWITCH	
11	12245	1	SWITCH, CAB TILT SWITCH/CONNECTOR	
12	60015	1	SOLENOID, CAB LIFT PUMP	
13	61811	1	HARNESS, CAB PUMP, ISB	
14	82359	2	BOLT, HEX HD 1/4-20 X 3/4 LG	
15	85111	4	WASHER, 1/4	
16	85923	2	NUT, NYLOCK, 1/4-20	
17	85135	2	LOCKWASHER, 3/8	
18	82372	4	BOLT, HEX HD 3/8-16 X 1 LG	
19	82361	4	BOLT, HEX HD 3/8-16 X 3/4 LG	
20	80338	2	SCREW, 10-32 X 1" LG	
NOT SHOWN	40987	1	FITTING, 45° X #4 JIC	
21	30045	1	CAB LIFT, CYLINDER, HYDRAULIC	
22	10071-4	1	PIN, CAB LIFT CYLINDER, LOWER	
23	40018	10	PIN, 3/8 ROLL	
24	90341	1	PIN, LIFT CYLINDER, UPPER	
25	85119	11	WASHER, FLAT, 1"	
26	30140	1	FITTING, CYL ORIFICE	
27	41151	1	HOSE ASSY, NO 4, OAL 41-1/2 LG, STR/90°	
28	40355	1	HOSE ASSY, NO 4, 84-3/4 LG, STR	
29	41228	1	HOSE ASSY, NO 4, OAL 80-1/2 LG, STR/90°	
30	10556-LH	2	WELDMENT, CAB PIVOT BLOCK	
31	80119	4	WASHER, BEVELED SQ, PLN, 3/4 X 13/16 X 1 1/2 X .31	
REV	DATE	BY		SHEET
				1 OF 2

TICO PRO-SPOTTER				
S/N:		CAB CUSHION, PIVOT & CAB LIFT PUMP		71672
ITEM	PART #	QTY/M	DESCRIPTION	TASK/REV
32	90908	2	MOUNTING PLATE, CAB PIVOT, RH, 1" FLANGED BUSHING	
33	90909	2	MOUNTING PLATE, CAB PIVOT, LH, 1" FLANGED BUSHING	
34	82561	6	BOLT, 1/2-13 X 5 1/4 LG	
35	85038	20	LOCKNUT, 1/2-13	
36	85115	32	WASHER, FLAT, 1/2	
37	90688	2	BUSHING, RUBBER, CAB PIVOT, 2.06 OD	
38	10993	2	PIN, CAB PIVOT	
39	12361	1	LATCH, CAB SAFETY BAR	
40	10945-3	1	PIN, CAB SAFETY LATCH BAR, 1"	
41	50209	3	EYEBOLT, ISB SAFETY BAR PULL	
42	85112	22	WASHER, FLAT, 5/16	
43	85035	4	LOCKNUT, 5/16-18	
44	82393	2	BOLT, HEX, 5/16-18 X 1 1/2 LG	
45	20122	1	TUBING, FRONT, ISB	
46	20123	1	TUBING, MIDDLE, ISB	
47	20124	1	TUBING, REAR, ISB	
48	40591	6	P-CLAMP, 5/8	
49	85134	6	LOCKWASHER, 5/16	
50	85002	6	NUT, HEX, 5/16-18	
51	60517	1	SPRING, CAB SAFETY BAR	
52	20126-1	80 IN	ROPE WIRE, ISB	
53	20126-2	1	WIRE CLAMP, ISB	
54	50211	1	EYEBOLT, ISB, CUT TO LENGTH (FROM 50209)	
55	20157	1	BRACKET, CAB CUSHION WELDMENT, LH	
56	20158	1	BRACKET, CAB CUSHION WELDMENT, RH	
NOT SHOWN	82396	6	BOLT 1/2-13 X 1 1/2 LG	
57	82464	4	BOLT, 3/4-10 X 3 LG	
58	85040	4	LOCKNUT, 3/4-10	
59	85117	8	WASHER, FLAT, 3/4	
60	40468	2	FITTING, TEE, 1/4 JIC X 1/4 JIC X 1/4 NPT	
61	10625	2	FITTING, ADAPTER, STEEL, STR, 1/4 ORB X 1/4 NPTF	
62	40831	1	FITTING, ELBOW, 90°, 1/4 X 5/8	
63	61820	1	HARNESS, ISB PUMP, SOLENOIS/ PDC	
REV	DATE	BY		SHEET
				2 OF 2