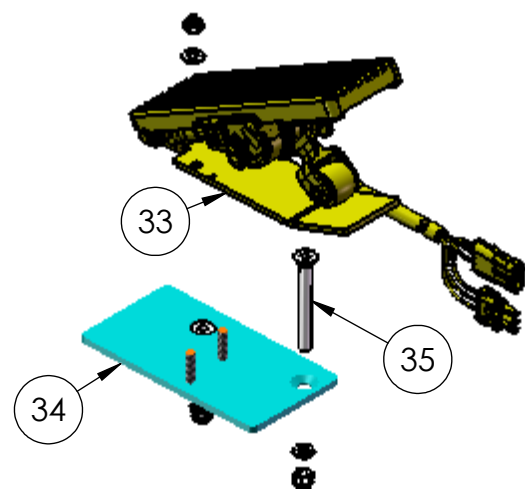
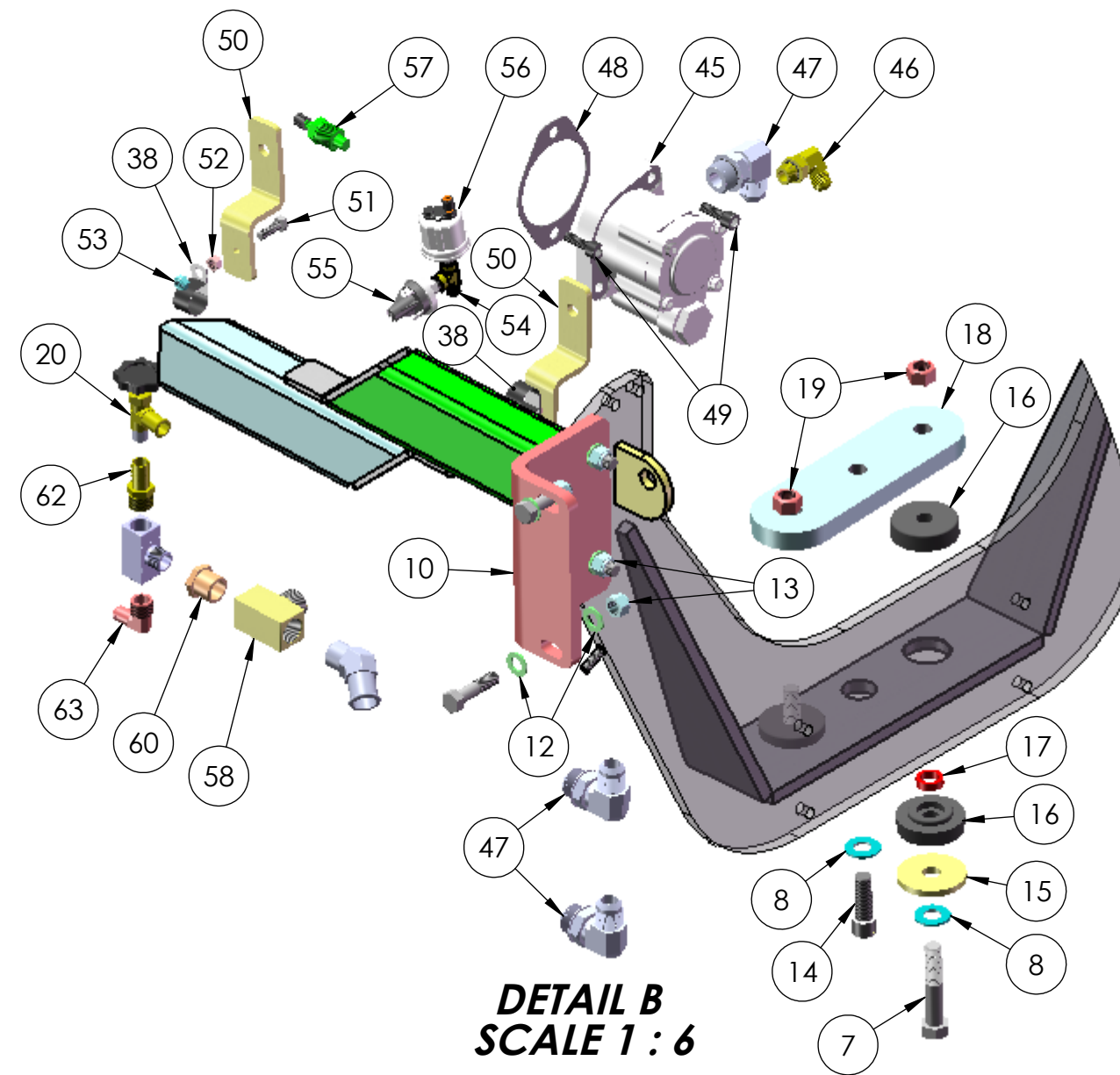


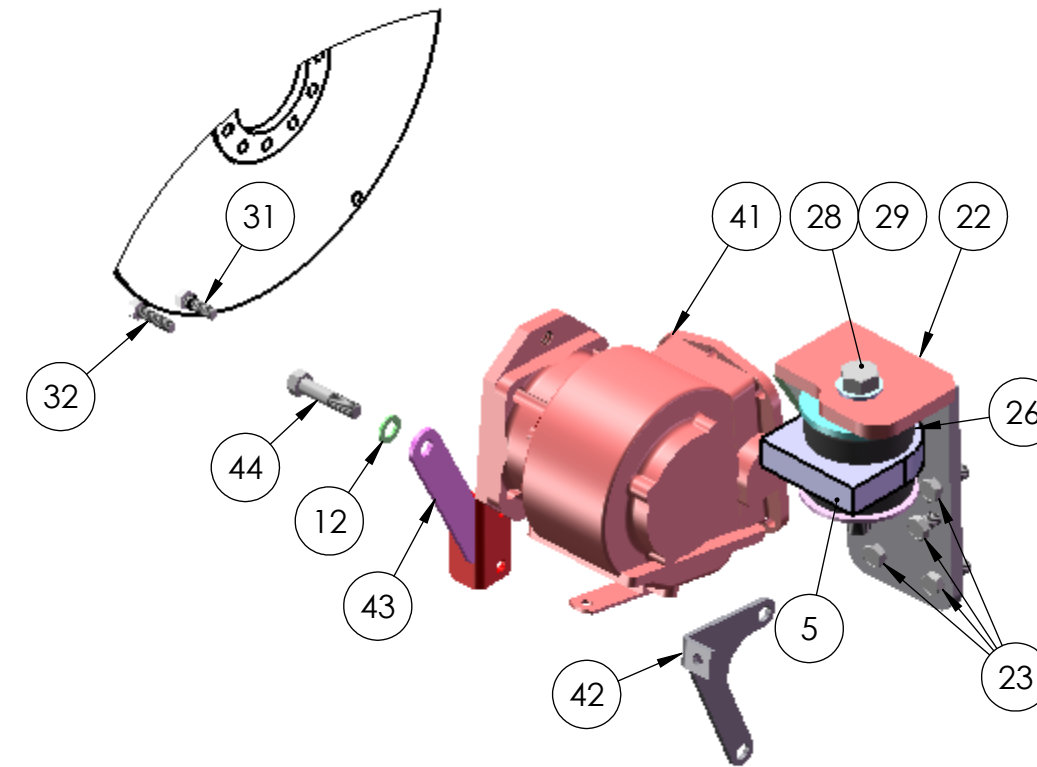
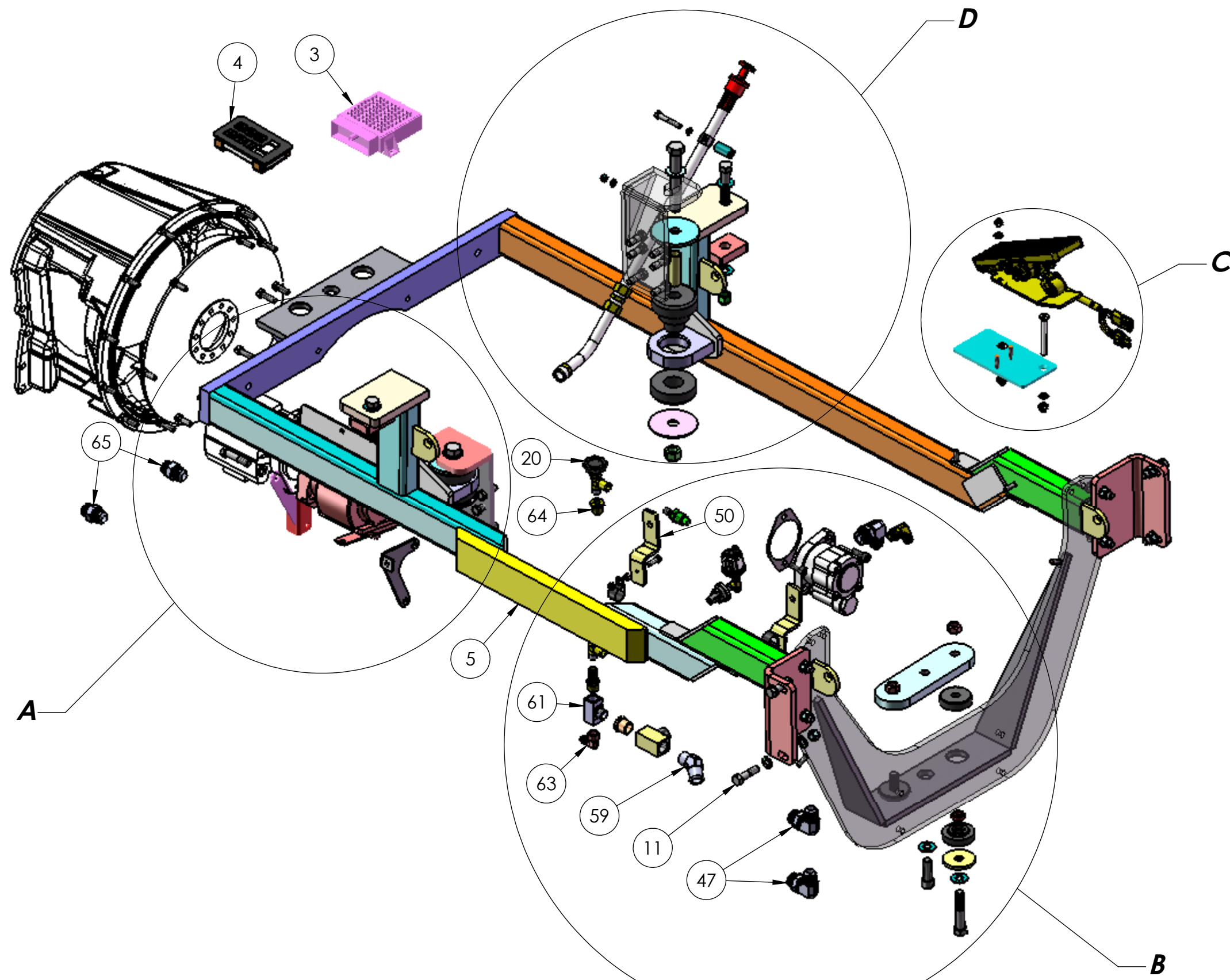
**DETAIL D
SCALE 1 : 6**



**DETAIL C
SCALE 1 : 6**



**DETAIL B
SCALE 1 : 6**



**DETAIL A
SCALE 1 : 6**

NOTE: ENGINE AND TRANSMISSION NOT SHOWN

DIMENSIONS ARE IN INCHES TOLERANCES: DECIMAL: X.X ± 0.06 X.XX ± 0.03 X.XXX ± 0.005 ANGULAR: ± 0.5° FRACTIONAL: ± 1/32"	NAME	DATE	TICO/TERMINAL SERVICE 66 CYPRESS RIDGE DR. RIDGELAND, SC 29936 (843) 717-2226	
	DRAWN	WHC		8/08/12
	CHECKED			
	APPROVED			
DO NOT SCALE DRAWING				
INTERPRET GEOMETRIC TOLERANCING PER: ASME 14.5M-1994 MATERIAL FINISH THICKNESS	THE SUBJECT MATTER SHOWN AND DESCRIBED IN THIS DRAWING AND ANY OTHER INFORMATION ADVANCED IN CONNECTION THEREWITH IS PROPRIETARY PROPERTY AND IS TO BE HELD IN STRICT CONFIDENCE BY YOU. ALL RIGHTS TO ANY INVENTIONS, DESIGNS, TRADE MARKS, TRADE NAMES AND COPYRIGHTS DISCLOSED ARE RESERVED TO TICO TERMINAL SERVICES, INC.			
TITLE:		ENGINE & TRANSMISSION		
SIZE	DWG. NO.	REV		
C	71630-E1	D1		
SCALE: 1:8		SHEET 1 OF 1		

TICO PRO-SPOTTER				
S/N:		ENG & TRANS, ISB10-200HP/RDS 3000, BLK		71630
ITEM	PART #	QTY/M	DESCRIPTION	TASK
	71630-E1	REF	ENGINE & TRANSMISSION	
NOT SHOWN	61710	1	ENGINE, ISB07-200HP 2500 RPM, BLK HEAT	
NOT SHOWN	60799-13	1	TRANSMISSION, RDS 3000	
3	61939	1	TCM, 1st-3rd SPEED, 1950 SHIFT CAL	
4	90892	1	SHIFTER, TRANSMISSION, PUSH BUTTON	
5	61758	1	ENGINE, CRADLE, ISB	
6	42070	2	SPACER , CRADLE	
7	82474	4	BOLT, HEX, 5/8-11 X 3 1/4 LG	
8	85094	11	WASHER, FLAT, 5/8	
9	85028	6	LOCKNUT, NYLOK, 5/8-11	
10	61572-5	2	MOUNT, FRONT ENGINE, FRAME	
11	82418	8	BOLT, HEX, 1/2-13 X 2 LG	
12	85093	28	WASHER, FLAT, 1/2	
13	85027	8	LOCKNUT, 1/2-13	
14	80342	1	BOLT, DRILLED HD, M16 X 2 X 45 MM, 10.9 SHCS	
15	60113	2	WASHER, BOOM	
16	60814	4	ISOLATOR, FRT ENG MOUNT, DUEL SYS	
17	10971	2	SPACER, FRT ENG MOUNT	
18	60809	1	MOUNTING PLATE, FRONT ENGINE MOUNT	
19	85039	2	LOCKNUT, 5/8-11	
20	60031	2	VALVE, HEATER SHUT OFF	
21	60981	1	MOUNT, REAR ENGINE, LH	
22	60982	1	MOUNT, REAR ENGINE, RH	
23	80240	12	BOLT, M12 X 1.5 X 35 MM, 10.9	
24	60740	2	WASHER, 3/4, REAR ENGINE MOUNT	
25	61677-8	2	BOLT, SPACER	
26	61678	2	ISOLATOR, REAR ENGINE	
27	60740-1	2	WASHER, 3/4, REAR ENGINE MOUNT	
28	82574	2	BOLT, HEX, 3/4-10 X 5 1/2 LG	
29	85095	2	WASHER, FLAT, 3/4	
30	85029	2	LOCKNUT, NYLOK, 3/4-10	
31	60799-6	6	BOLT KIT, FLEX PL-TORQ CONV, 10MM-1.5 X 30, HEX HD, 10.9	
32	60799-12	12	BOLT KIT, FLYWHEEL HSG, 10MM-1.5 X 35, SERRATED HEX HD	
33	61810	1	ACCELERATOR PEDAL, ISB10 MODIFIED	
REV	DATE	BY		SHEET
				1 OF 3

TICO MANUFACTURING - RIDGELAND, SC 29936

TICO PRO-SPOTTER			
S/N:		ENG & TRANS, ISB10-200HP/RDS 3000, BLK	71630
ITEM	PART #	QTY/M	DESCRIPTION
34	90632	1	MOUNTING PLATE, ELECTRIC THROTTLE
35	83318	2	SCREW, SC HD, 3/8-16 X 3 1/2" LG
36	61574	1	DIPSTICK, TRANS
37	12091	1	SPACER, DIPSTICK CLIP
38	40593	3	P-CLAMP
39	82426	1	BOLT, HEX, 5/16-18 X 2 1/4 LG
40	85134	2	LOCKWASHER, 5/16
41	60953	1	PTO, CONSTANT MESH RDS 3000
NOT SHOWN	41037	1	HOSE ASSY, TRANS, PTO
42	90910	1	BRACKET SUPPORT, POS & NEG CABLES
43	90921	1	SUPPORT BRKT, PTO/PUMP
44	82429	2	BOLT, HEX, 1/2-13 X 2 1/4 LG
45	61916	1	PUMP, STEERING, 4 GPM, 2150 PSI, FLOW CONTRL, IXETIC
46	40460	1	FITTING, 90°, 1/2 O RING X 1/2 JIC
47	10624	3	FITTING, 90°, 3/4 O RING X 3/4 JIC
48	60212	1	GASKET, HYDRAULIC PUMP
49	80175	2	BOLT, SHS, 10 MM X 1.50 X 30
50	60956	2	BRKT, TRANS HOSE
51	82371	2	BOLT, HEX, 5/16-18 X 1" LG
52	85013	2	NUT, HEX, 5/16-18
53	85024	2	LOCKNUT, NYLOK, 5/16-18
54	40467	1	FITTING, BRASS TEE, 1/4 NPT
55	60061	1	PRESSURE STAT, 10 PSI
56	91068	1	SENSOR, OIL PRESS GAUGE
57	91069	1	SENSOR, WATER TEMP GAUGE
58	42050	1	TEE, BRANCH, BRASS, 3/4 NPT BRASS
59	42056	1	HOSE BARB, 45°, STEEL, 1" TUBE X 3/4 NPT
60	42053	1	REDUCER, BRASS, 3/4-1/2 NPT
61	42049	1	TEE, BRANCH, BRASS, 1/2 NPT
62	42047	1	HOSE BARB, 5/8 STR-1/2 NPT
63	42048	1	FITTING, 90°, COOLING, 5/8 TO 3/8 NPT
64	42095	1	BUSHING, REDUCER, 1/2 TO 3/8 MPT
65	40471	2	ADAPTER, STR, 3/4 O RING X 3/4 JIC
NOT SHOWN	41178	2	HOSE, HEATER, 5/8 X 84, ENGINE/CAB HEATER
NOT SHOWN	42150	4	CLAMP, HOSE WORM GEAR, 7/16 TO 1
REV	DATE	BY	SHEET
			2 OF 3

TICO MANUFACTURING - RIDGELAND, SC 29936

