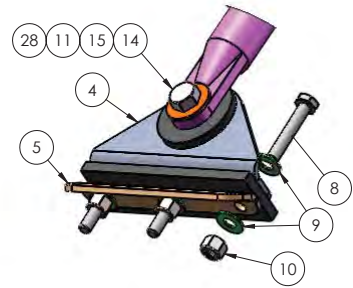
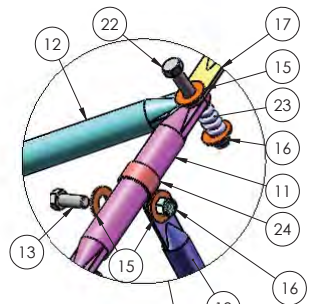


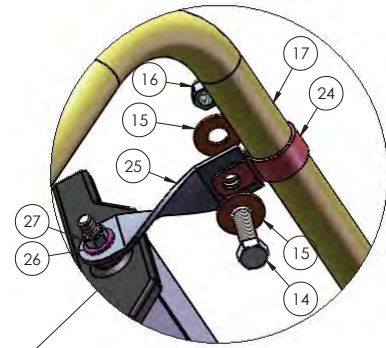
DETAIL G
SCALE 1 : 2



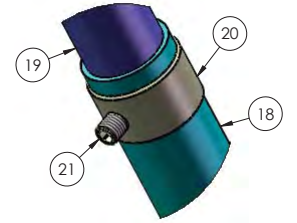
DETAIL F
SCALE 1 : 2



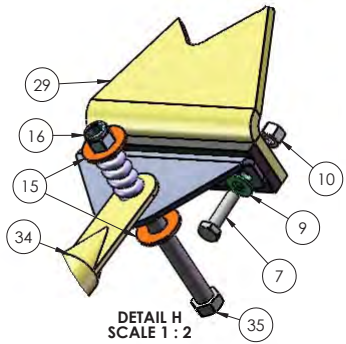
DETAIL E
SCALE 1 : 3



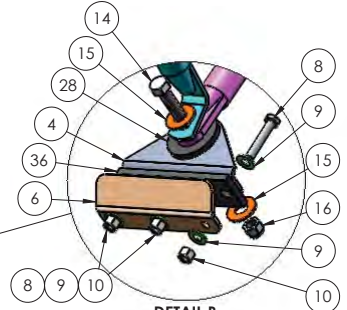
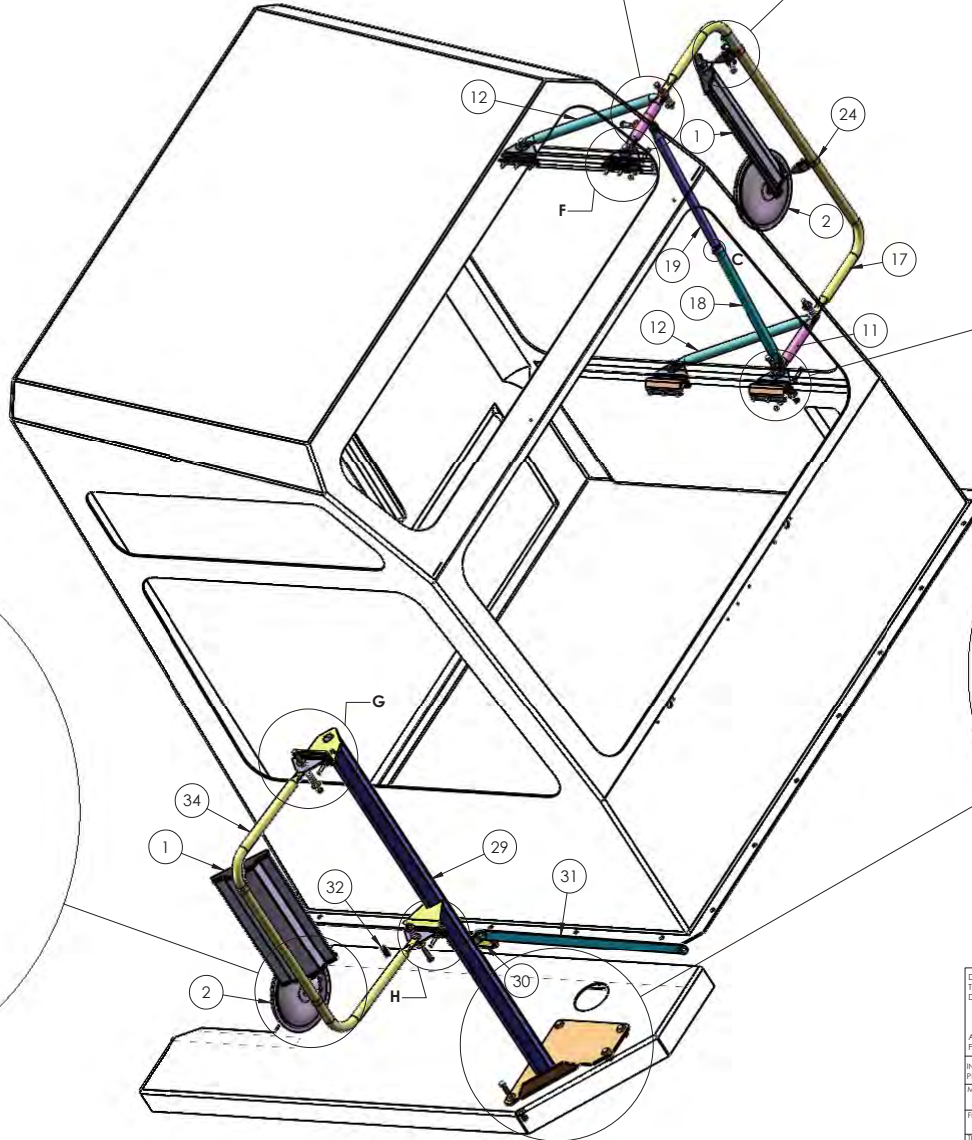
DETAIL D
SCALE 1 : 2



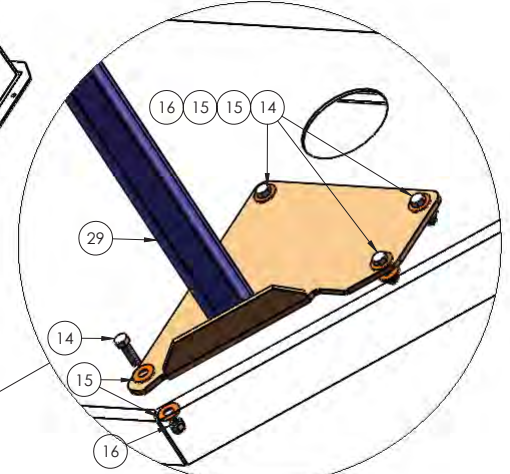
DETAIL C
SCALE 1 : 1



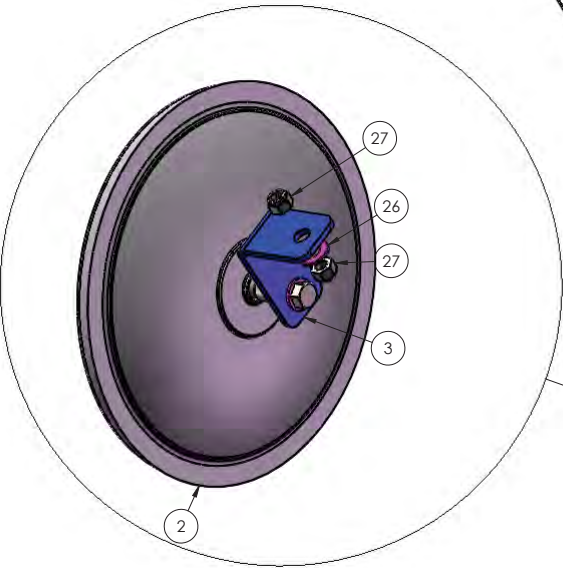
DETAIL H
SCALE 1 : 2



DETAIL B
SCALE 1 : 3



DETAIL A
SCALE 1 : 4



DETAIL I
SCALE 1 : 2

DIMENSIONS ARE IN INCHES		NAME	DATE	TICO/TERMINAL SERVICE 66 CYPRESS RIDGE DR. RIDGELAND, SC 29936 (843) 717-2226
TOLERANCES:		DRAWN	RWC	
DECIMAL:		CHECKED		
FRACTIONAL:		APPROVED		
ANGULAR: ± 1°		DO NOT SCALE DRAWING		TITLE:
PER: ASME 14.5M-1994		INTERPRET GEOMETRIC TOLERANCING		MIRROR, WEST COAST, CONVEX
MATERIAL		THE SUBJECT MATTER SHOWN AND DESCRIBED IN THIS DRAWING AND ANY OTHER INFORMATION ADVANCED BY PROPRIETARY PROPERTY AND IS TO BE HELD IN STRICT CONFIDENCE BY YOU. ALL RIGHTS TO ANY INVENTIONS, DESIGNS, TRADE MARKS, TRADE NAMES AND COPYRIGHTS DISCLOSED ARE RESERVED TO TICO TERMINAL SERVICES, INC.		SIZE DWG. NO. REV
FINISH		C		71625-A1 B1
THICKNESS		SCALE: 1:10		SHEET 1 OF 1

TICO PRO-SPOTTER				
S/N		MIRROR - WEST COAST, CONVEX, 122"		71625
ITEM	PART #	QTY/M	DESCRIPTION	TASK
	71625-A1	REF	MIRROR - WEST COAST, CONVEX, 122"	
1	40726	2	MIRROR, WEST COAST, HEATED	
2	90697	2	MIRROR, CONVEX, HEATED	
3	12067	2	BRACKET, MIRROR	
4	50238	6	MOUNT, ANGLE	
5	50241	2	BRACKET, MIRROR, UPPER	
6	50243	2	BRACKET, LOWER, MIRROR	
7	80361	6	BOLT, HEX, 1/4-20 NC X 1 LG, SS	
8	80322	6	BOLT, HEX, 1/4-20 NC X 1 1/2 LG, SS	
9	80311	18	WASHER, FLAT, 1/4, SS	
10	80360	18	NUT, NYLOK, 1/4-20	
11	50242	2	BRACE, HORIZ MIRROR, FWD	
12	50235	2	BRACE, HORIZ MIRROR, AFT	
13	80315	6	BOLT, HEX, 3/8-16 X 1 LG, SS	
14	80316	9	BOLT, HEX, 3/8-16 X 1 1/4 LG, SS	
15	80314	14	WASHER, FLAT, 3/8, SS	
16	80320	4	NUT, NYLOK, 3/8-16, SS	
17	50234	1	LOOP, 11" MIRROR	
18	50237	1	TUBE, STABILIZER, OUTER	
19	50254	1	TUBE, STABILIZER, INNER	
20	50255	1	COLLAR, STABILIZER TUBE	
21	50256	1	SCREW, SET, COLLAR	
22	80318	2	BOLT, HEX, 3/8-16 X 2 3/4 LG SS	
23	50250	4	SPRING, COMPRESSION, SS	
24	50239	7	CLAMP, 1"	
25	50240	6	BRACKET, TWISTED	
26	80313	6	WASHER, FLAT, 5/16, SS	
27	80319	6	NUT, NYLOK, 5/16-18, SS	
28	60857	4	ISOLATOR, RUBBER	
29	91600	1	STANCHION, MIRROR	
30	90511-2	1	BRACE, POST, REAR MIRROR	
31	90511-3	1	BRACE, POST, FRONT MIRROR	
32	40140	2	GROMMET, 3/4 ID X 1"	
33	42085	1	CAP, HOLE PLUG, 1" HOLE	
34	50236	1	LOOP, 14" MIRROR	
35	80329	2	BOLT, HEX, 3/8-16 X 2-1/2 LG, SS	
36	91609	6	ISOLATOR, RUBBER	
REV	DATE	BY		SHEET
				1 OF 1