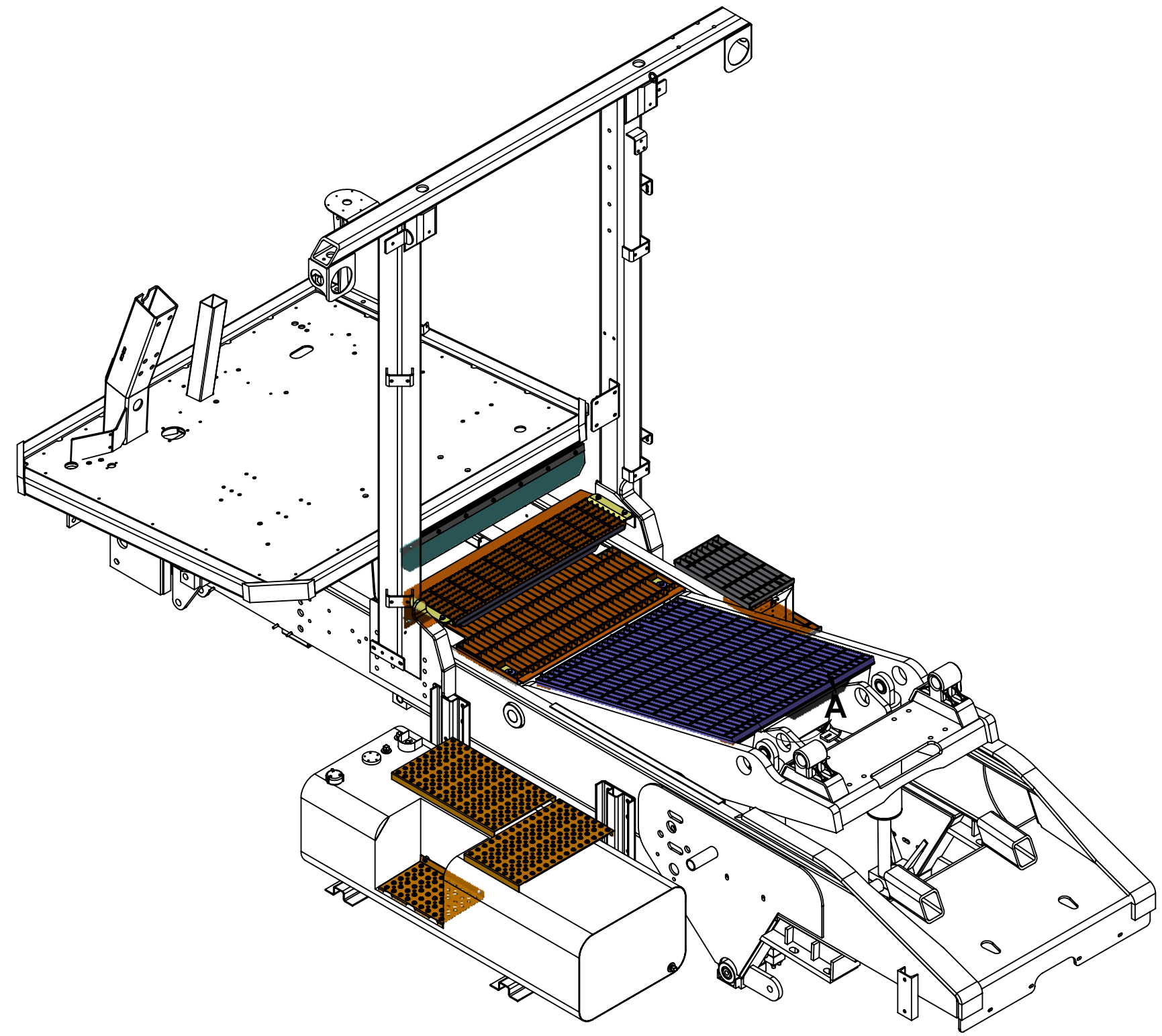
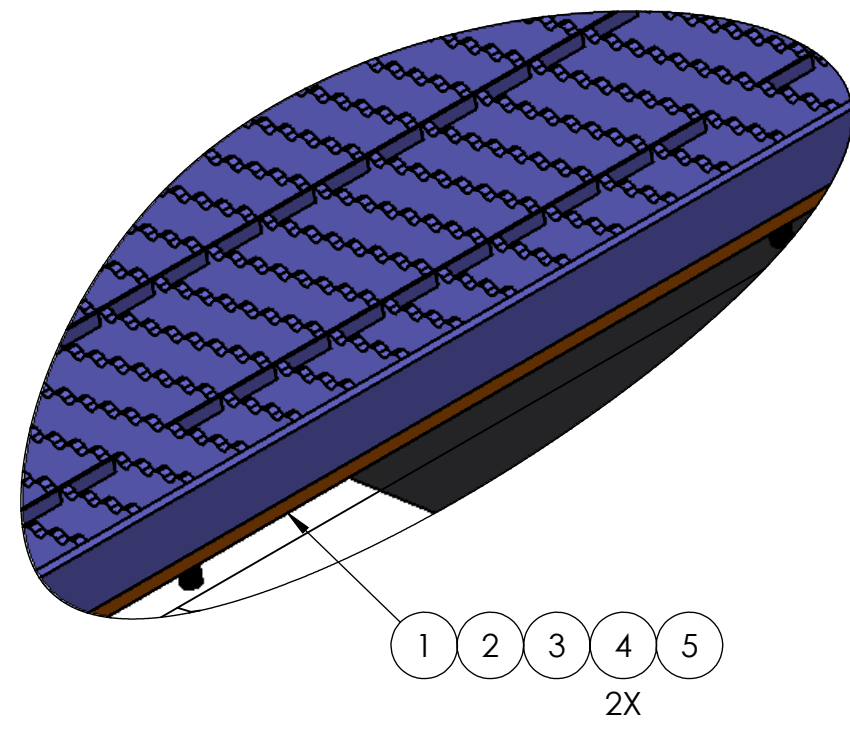



8 7 6 5 4 3 2 1

D
C
B
A



PAGE 1 : OVERVIEW
PAGE 2 : TRANSMISSION & TANK GRATINGS
PAGE 3 : BATTERY BOX GRATINGS
PAGE 4 : PARTS LIST

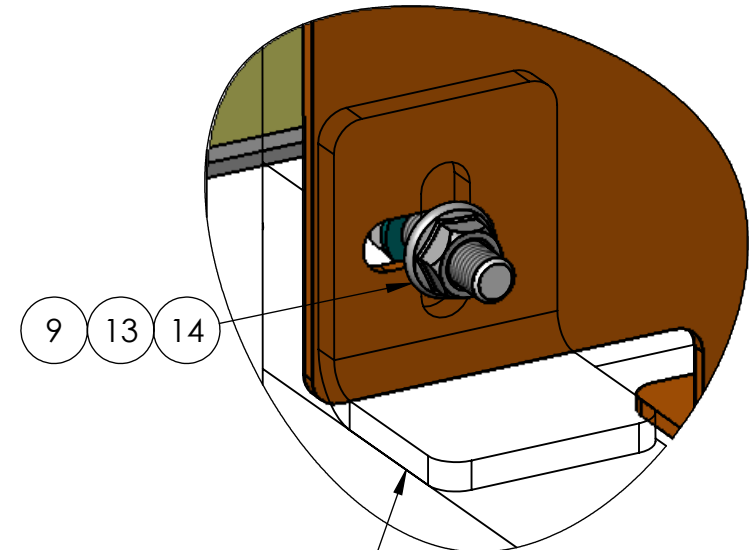
DIMENSIONS ARE IN INCHES TOLERANCES: DECIMAL: X.X ± 0.06 X.XX ± 0.03 X.XXX ± 0.005 ANGULAR: ± 0.5° FRACTIONAL ± 1/32"	NAME	DATE	 TICO MANUFACTURING 66 CYPRESS RIDGE DR. RIDGELAND, SC 29936 (843) 717-2226	
	DRAWN	MPC		01/06/2018
	CHECKED	---		---
	APPROVED	---		---
DO NOT SCALE DRAWING			TITLE: ASSEMBLY, COVERS & GRATINGS	
MATERIAL	THE SUBJECT MATTER SHOWN AND DESCRIBED IN THIS DRAWING AND ANY OTHER INFORMATION ADVANCED IN CONNECTION THEREWITH, IS PROPRIETARY PROPERTY AND IS TO BE HELD IN STRICT CONFIDENCE BY YOU. ALL RIGHTS TO ANY INVENTIONS, DESIGNS, TRADE MARKS, TRADE NAMES AND COPYRIGHTS DISCLOSED ARE RESERVED TO TICO TERMINAL SERVICES, INC.		SIZE	
FINISH			DWG. NO.	
THICKNESS			71616-E1	
N/A			REV	
N/A			E	
			SCALE: 1:20	
			WEIGHT:	
			SHEET 1 OF 3	

8 7 6 5 4 3 2 1

8 7 6 5 4 3 2 1

D
C
B
A

D
C
B
A



FRAME (REF)

9 13 14

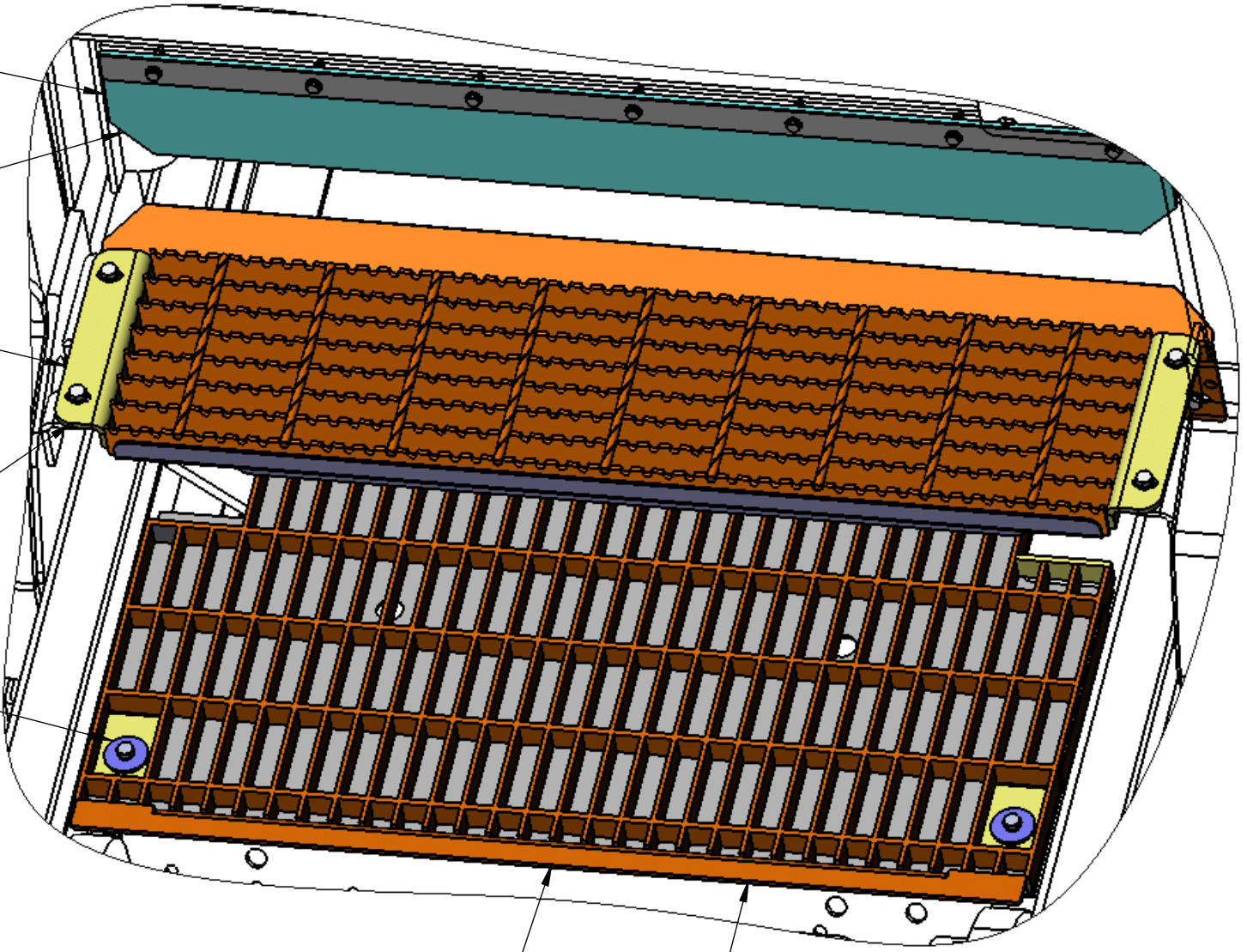
19 20 21 22 23
2X

BAFFLE

15 16 17 18
2X

CAB STEP

8 10 11 12

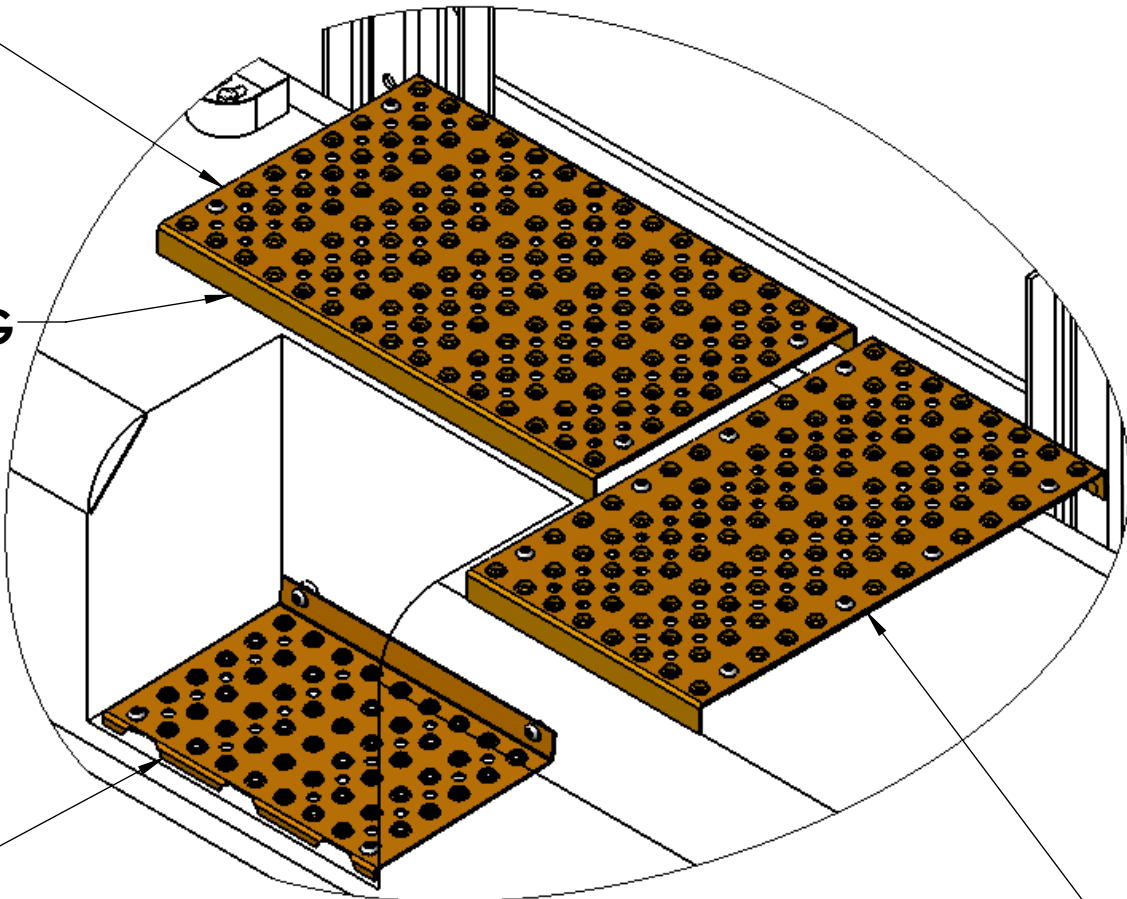


TRANSMISSION COVER

6 7

TANK GRATING

24 27



26 27

25 27

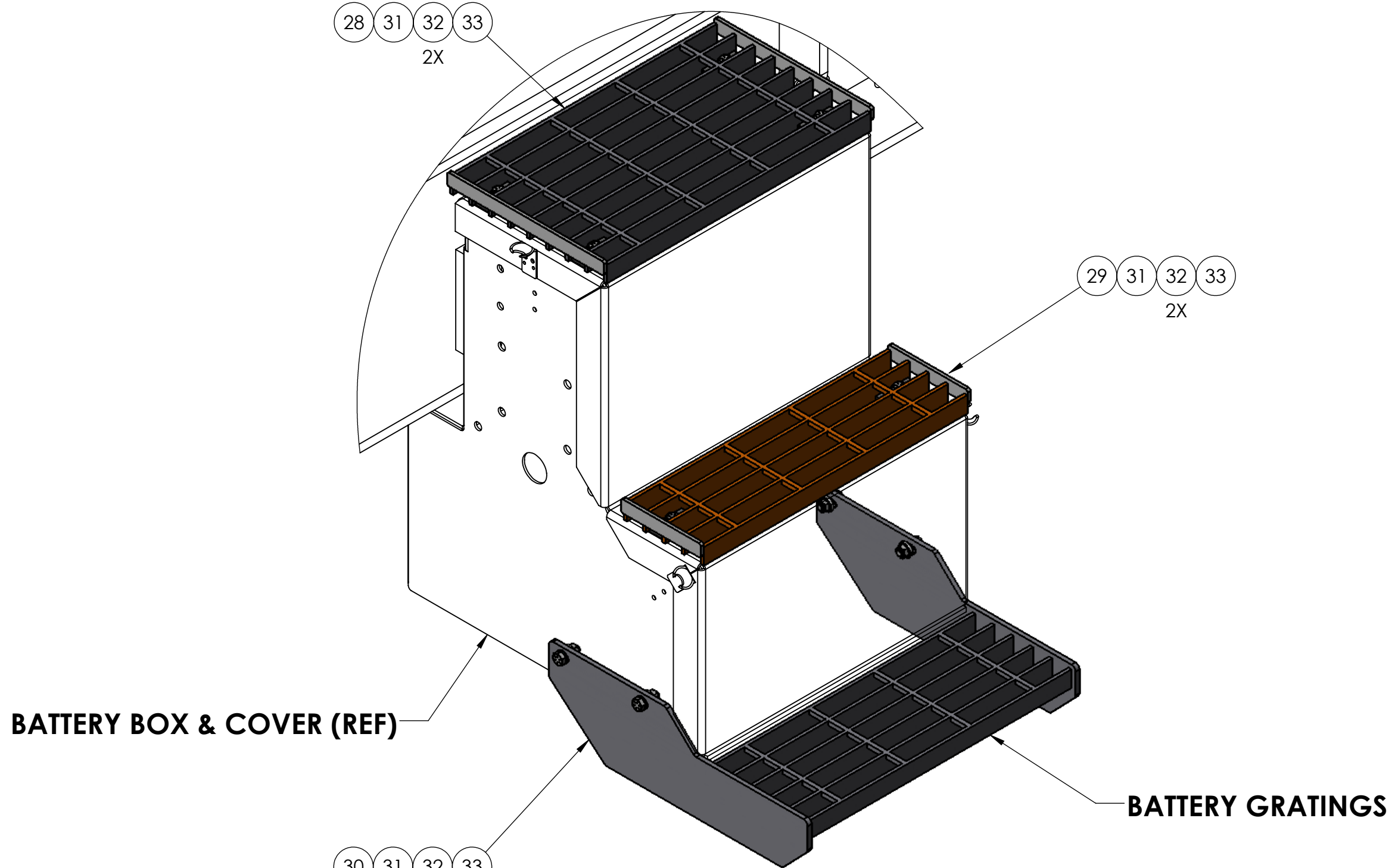
DIMENSIONS ARE IN INCHES TOLERANCES: DECIMAL: X.X ± 0.06 X.XX ± 0.03 X.XXX ± 0.005 ANGULAR: ± 0.5° FRACTIONAL ± 1/32"	DRAWN MPC	NAME MPC	DATE 01/06/2018	TICO/TERMINAL SERVICE 66 CYPRESS RIDGE DR. RIDGELAND, SC 29936 (843) 717-2226	
	CHECKED ---	APPROVED ---	TITLE: ASSEMBLY, COVERS & GRATINGS		
	INTERPRET GEOMETRIC TOLERANCING PER: ASME 14.5M-1994		DO NOT SCALE DRAWING		
	MATERIAL N/A	THE SUBJECT MATTER SHOWN AND DESCRIBED IN THIS DRAWING AND ANY OTHER INFORMATION ADVANCED IN CONNECTION THEREWITH, IS PROPRIETARY PROPERTY AND IS TO BE HELD IN STRICT CONFIDENCE BY YOU. ALL RIGHTS TO ANY INVENTIONS, DESIGNS, TRADE MARKS, TRADE NAMES AND COPYRIGHTS DISCLOSED ARE RESERVED TO TICO TERMINAL SERVICES, INC.			SIZE B
FINISH N/A	DWG. NO. 71616-E1		REV E		
THICKNESS N/A	SCALE: 1:20	WEIGHT:	SHEET 2 OF 3		

8 7 6 5 4 3 2 1

8 7 6 5 4 3 2 1


D
C
B
A

D
C
B
A



BATTERY BOX & COVER (REF)

BATTERY GRATINGS

DIMENSIONS ARE IN INCHES TOLERANCES: DECIMAL: X.X ± 0.06 X.XX ± 0.03 X.XXX ± 0.005 ANGULAR: ± 0.5° FRACTIONAL ± 1/32"	NAME	DATE	 TICO/TERMINAL SERVICE 66 CYPRESS RIDGE DR. RIDGELAND, SC 29936 (843) 717-2226	
	DRAWN	MPC		01/06/2018
	CHECKED	---		---
	APPROVED	---		---
DO NOT SCALE DRAWING			TITLE: ASSEMBLY, COVERS & GRATINGS	
INTERPRET GEOMETRIC TOLERANCING PER: ASME 14.5M-1994	THE SUBJECT MATTER SHOWN AND DESCRIBED IN THIS DRAWING AND ANY OTHER INFORMATION ADVANCED IN CONNECTION THEREWITH, IS PROPRIETARY PROPERTY AND IS TO BE HELD IN STRICT CONFIDENCE BY YOU. ALL RIGHTS TO ANY INVENTIONS, DESIGNS, TRADE MARKS, TRADE NAMES AND COPYRIGHTS DISCLOSED ARE RESERVED TO TICO TERMINAL SERVICES, INC.		SIZE: B	
MATERIAL: N/A			DWG. NO.: 71616-E1	
FINISH: N/A			REV: E	
THICKNESS: N/A			SCALE: 1:20	
		WEIGHT:	SHEET 3 OF 3	

8 7 6 5 4 3 2 1

