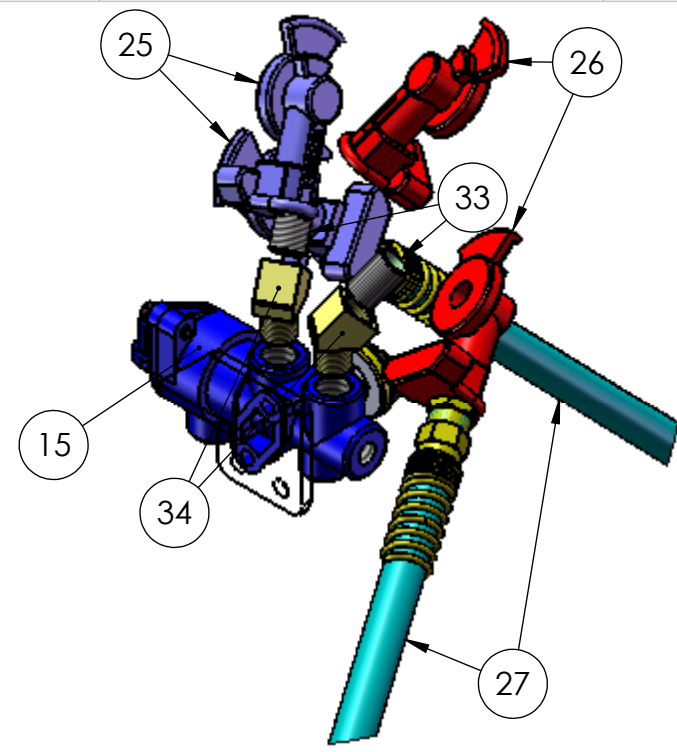
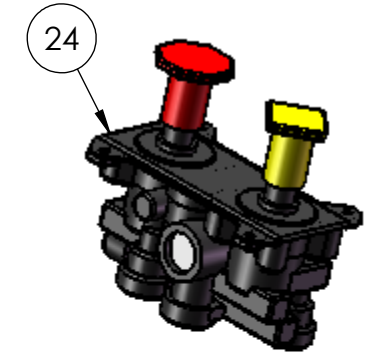


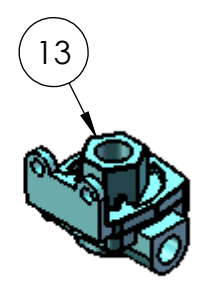
TICO PRO-SPOTTER				
S/N:		AIR SYSTEM-DOT-121, 3 TANKS, MV3, CAST IRON, PVC,		71598
ITEM	PART #	QTY/M	DESCRIPTION	TASK
	71598-E1	REF	AIR SYSTEM	
	61769	REF	SCHEMATIC-3 TANK, SPLIT SYS, DOT-121, MV3	
1	42087	1	ASSEMBLY, AIR TANK	
2	12336	1	PLATE, RESERVOIR MOUNTING	
3	82385	4	BOLT, HEX, 1/2-13 X 1 1/4 LG	
4	85115	8	WASHER, FLAT, 1/2	
5	85027	4	NUT, NYLOK, 1/2-13	
6	10032	1	RESERVOIR, AIR	
7	40393-1	4	BRACKET, AIR RESERVOIR MOUNT	
8	40148	1	VALVE, AIR TANK DRAIN	
9	60023	1	GOVERNOR, D2 W/GASKET AND 3 PLUGS	
10	90026	1	BRAKE PEDAL	
11	40547	1	VALVE, DUAL BRAKE, E-6	
12	10592	1	VALVE, BRAKE QUICK RELEASE, QR-1C	
13	40550	1	VALVE, BRAKE, QUICK RELEASE, QR-1	
14	40572	1	VALVE, BOBTAIL/PROPORTIONING, BP-R1 W/BRACKET	
15	40635	1	VALVE, TRACTOR PROTECTION, TP-3DC	
16	90078	2	SWITCH, PRESSURE	
17	10949	1	MANIFOLD, AIR ASSEMBLY	
18	90295	1	VALVE, AIR REGULATOR	
19	40148	2	VALVE, AIR TANK DRAIN	
20	40776	1	SWITCH, LOW AIR PRESSURE, 70 PSI	
21	90873	1	BUZZER, LOW AIR WARNING, 70 PSI	
22	40771	1	VALVE, PRESSURE PROTECTION, 70 PSI	
23	61704	1	BRACKET, STAND OFF	
24	40570	1	VALVE, MV3	
25	50224	3	GLADHAND, BLUE CAST IRON	
26	50225	3	GLADHAND, RED CAST IRON	
27	50303	2	HOSE ASSY, AIR BRAKE, 3/8 TRAILER AIR LINE, 15FT	
28	10356	1	SPRING	
29	40080	2	CLAMP, TRAILER HOSE	
30	42064	2	ADAPTER, 1/2" MPT X 1/2" FPT, PVC	
31	40022	1	VALVE, AIR PRESSURE RELEASE	
32	40900	1	FITTING, TEE, PIPE STREET, 1/4 NPT	
33	40799	2	FITTING, CLOSE NIPPLE BRASS, 1/2 NPT	
34	40899	2	FITTING, ELBOW, 45°, STREET, BRASS, 1/2 NPT	
35	40029-1	1	VALVE, CHECK, AIR TANK	
NOT SHOWN	40687	2	HOSE ASSEMBLY, FRONT BRAKE CHAMBER	
REV	DATE	BY		SHEET
				1 OF 1



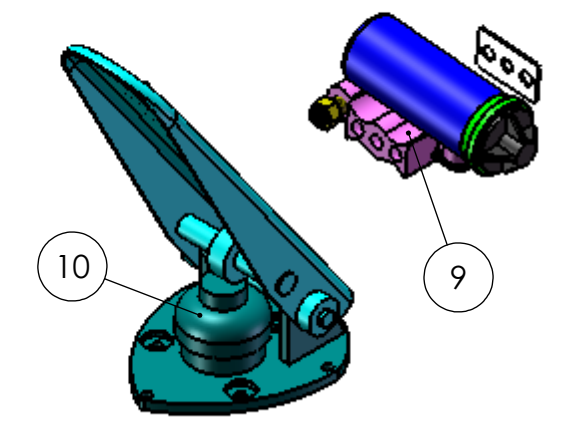
DETAIL A
SCALE 1 : 4



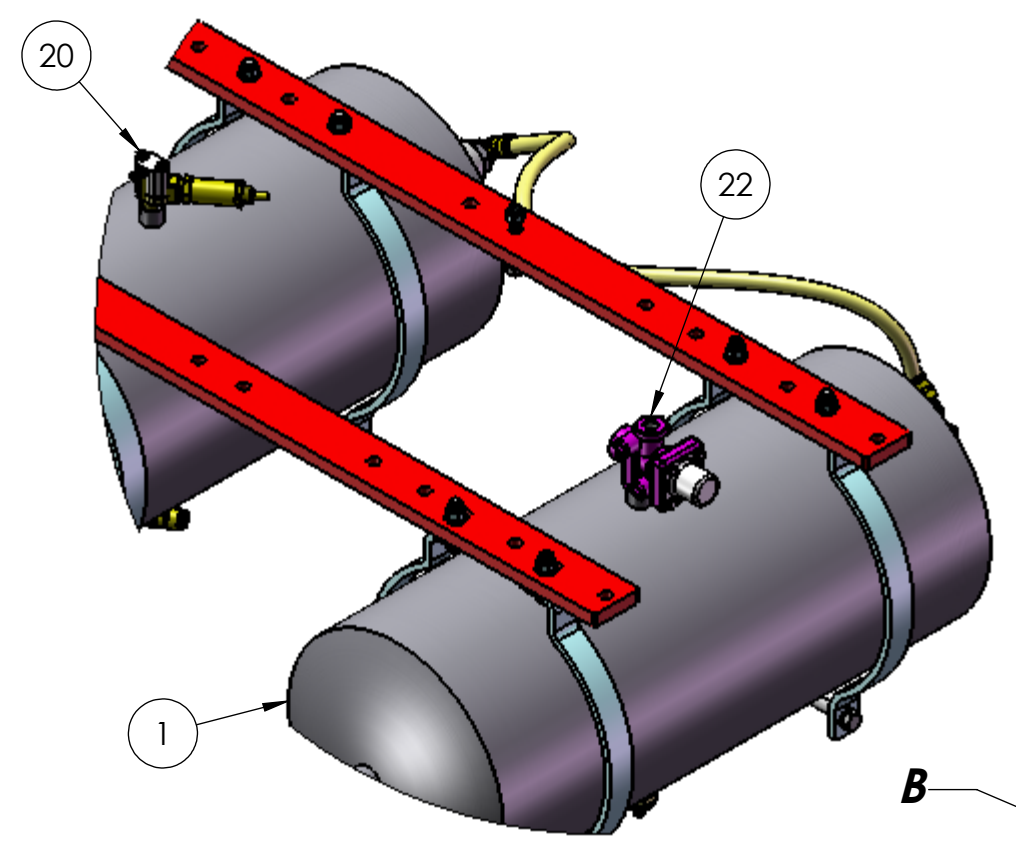
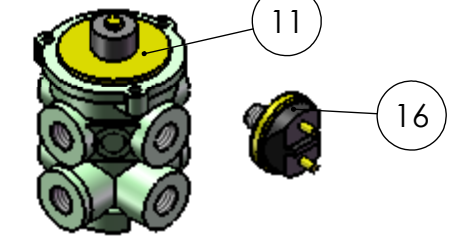
DETAIL B
SCALE 1 : 4



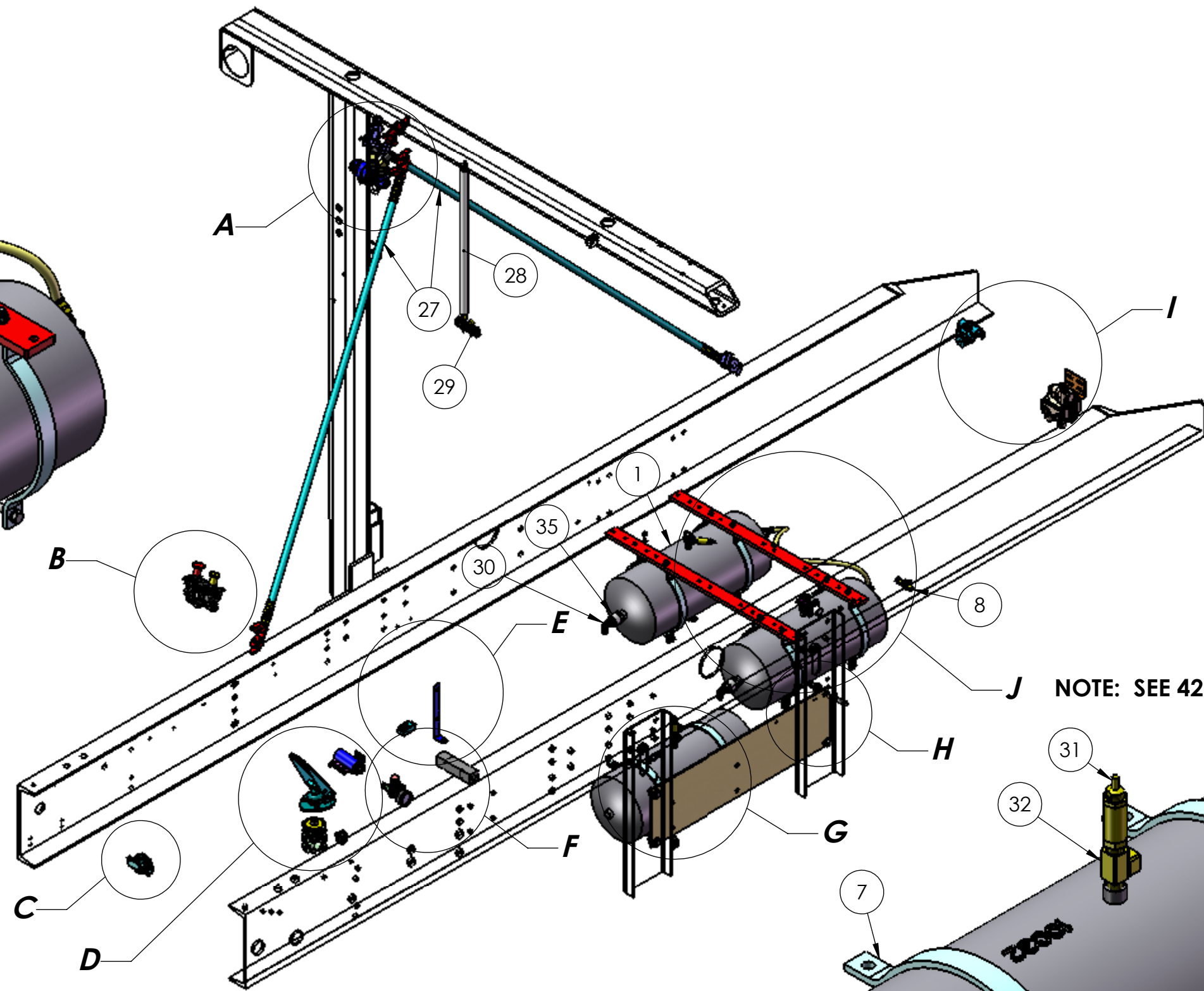
DETAIL C
SCALE 1 : 4



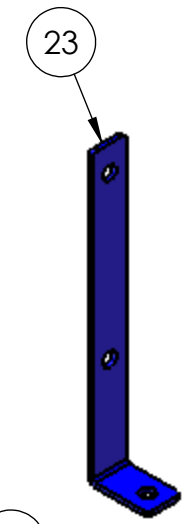
DETAIL D
SCALE 1 : 4



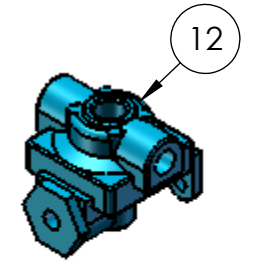
DETAIL J
SCALE 1 : 6



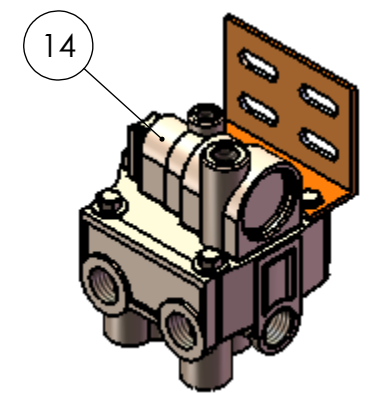
NOTE: SEE 42087 DWG FOR DETAILED BREAKDOWN



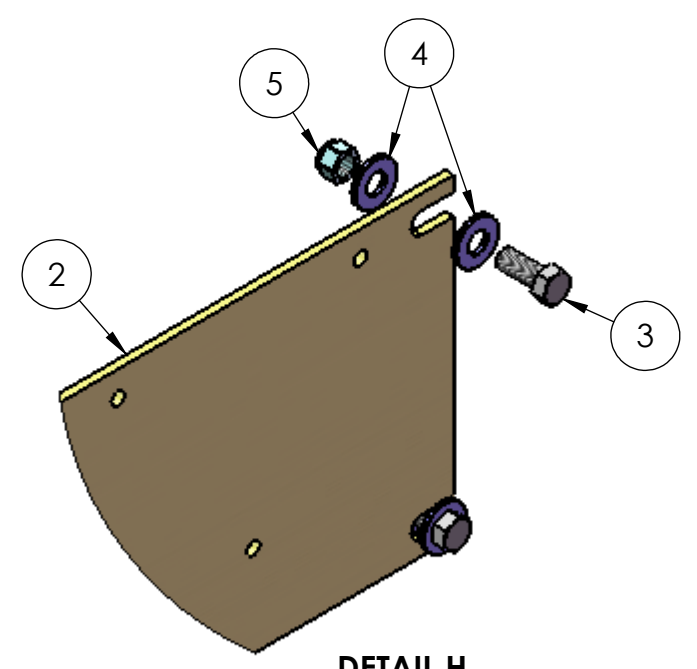
DETAIL E
SCALE 1 : 4



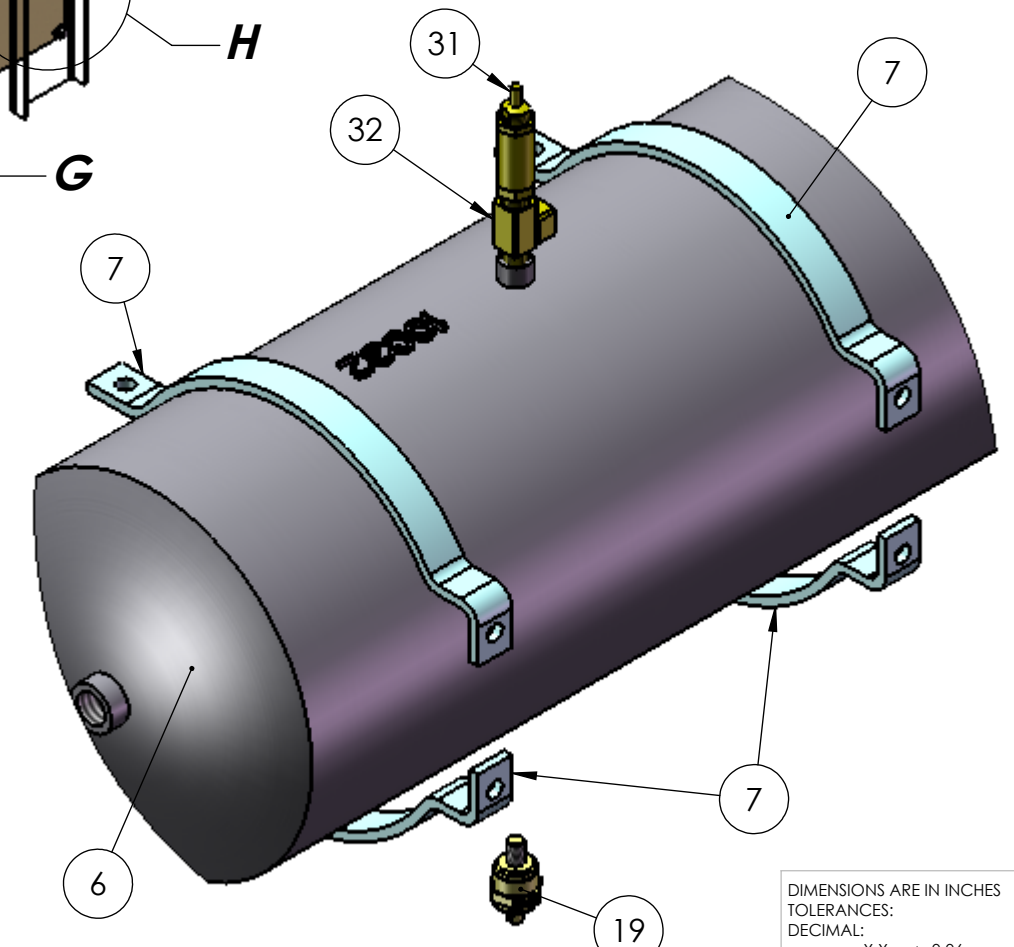
DETAIL I
SCALE 1 : 4



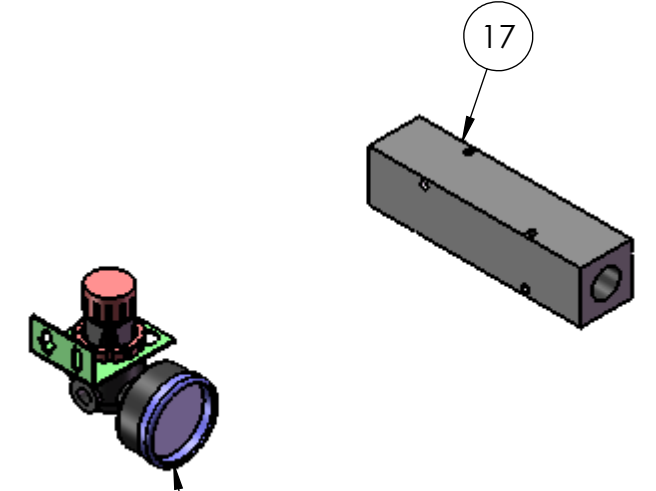
DETAIL H
SCALE 1 : 4



DETAIL G
SCALE 1 : 4



DETAIL F
SCALE 1 : 4



DIMENSIONS ARE IN INCHES		NAME	DATE		TICO/TERMINAL SERVICE 66 CYPRESS RIDGE DR. RIDGELAND, SC 29936 (843) 717-2226
TOLERANCES:		DRAWN	RWC		
DECIMAL:		CHECKED			
X.X ± 0.06		APPROVED			
X.XX ± 0.03		DO NOT SCALE DRAWING			
X.XXX ± 0.005		INTERPRET GEOMETRIC TOLERANCING PER: ASME 14.5M-1994			
ANGULAR: ± 0.5°		THE SUBJECT MATTER SHOWN AND DESCRIBED IN THIS DRAWING AND ANY OTHER INFORMATION ADVANCED IN CONNECTION THEREWITH IS PROPRIETARY PROPERTY AND IS TO BE HELD IN STRICT CONFIDENCE BY YOU. ALL RIGHTS TO ANY INVENTIONS, DESIGNS, TRADE MARKS, TRADE NAMES AND COPYRIGHTS DISCLOSED ARE RESERVED TO TICO TERMINAL SERVICES, INC.			
FRACTIONAL: ± 1/32"		TITLE:		AIR SYSTEM, 3 TANK	
		SIZE	DWG. NO.	REV	
		C	71598-E1	E1	
		SCALE: 1:12		SHEET 1 OF 1	