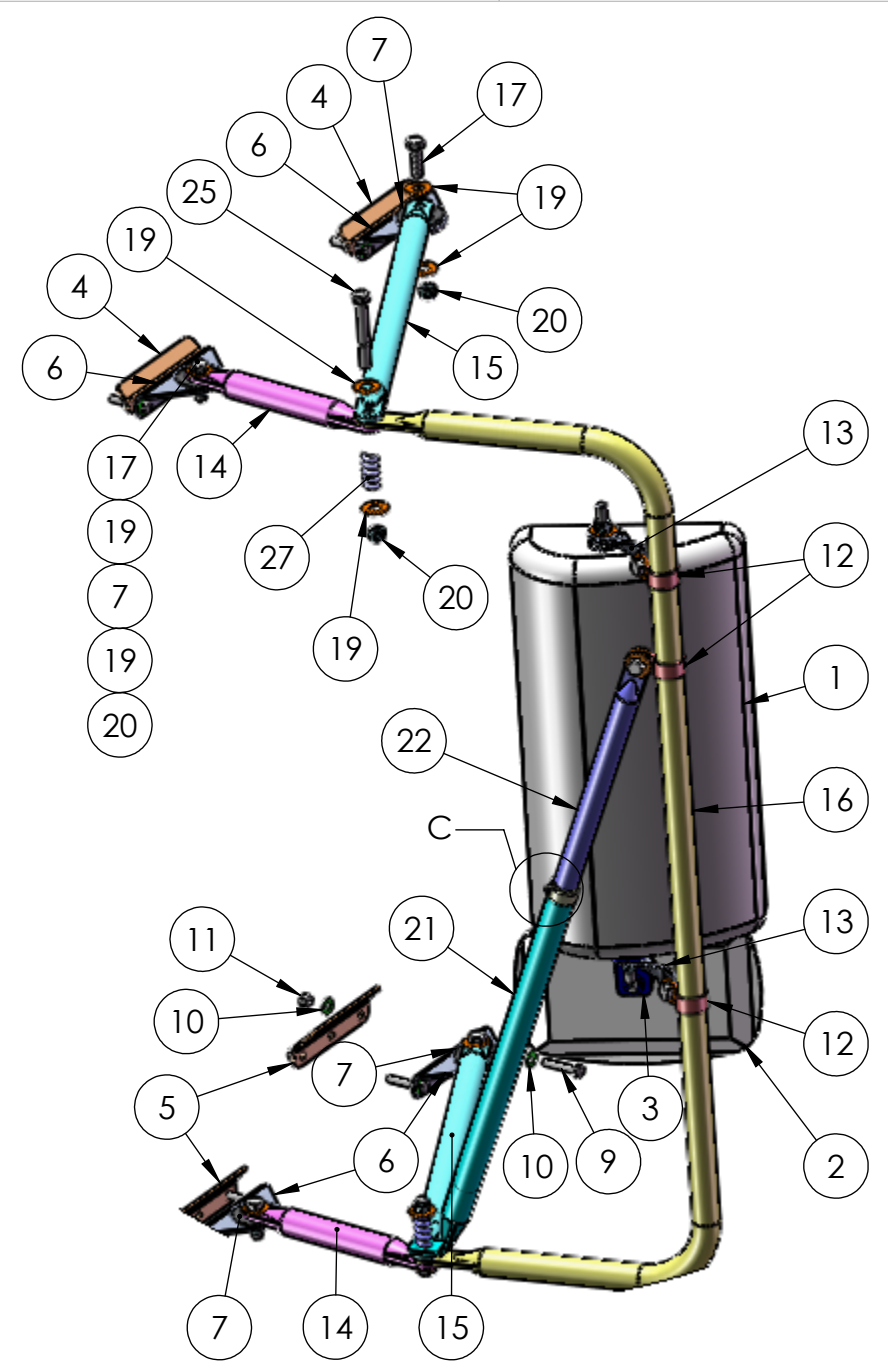
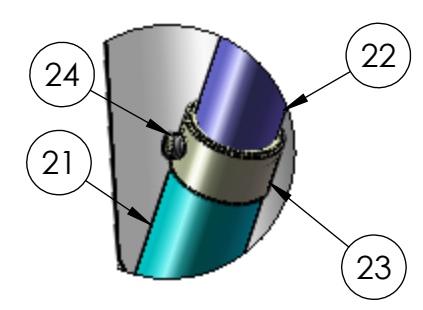


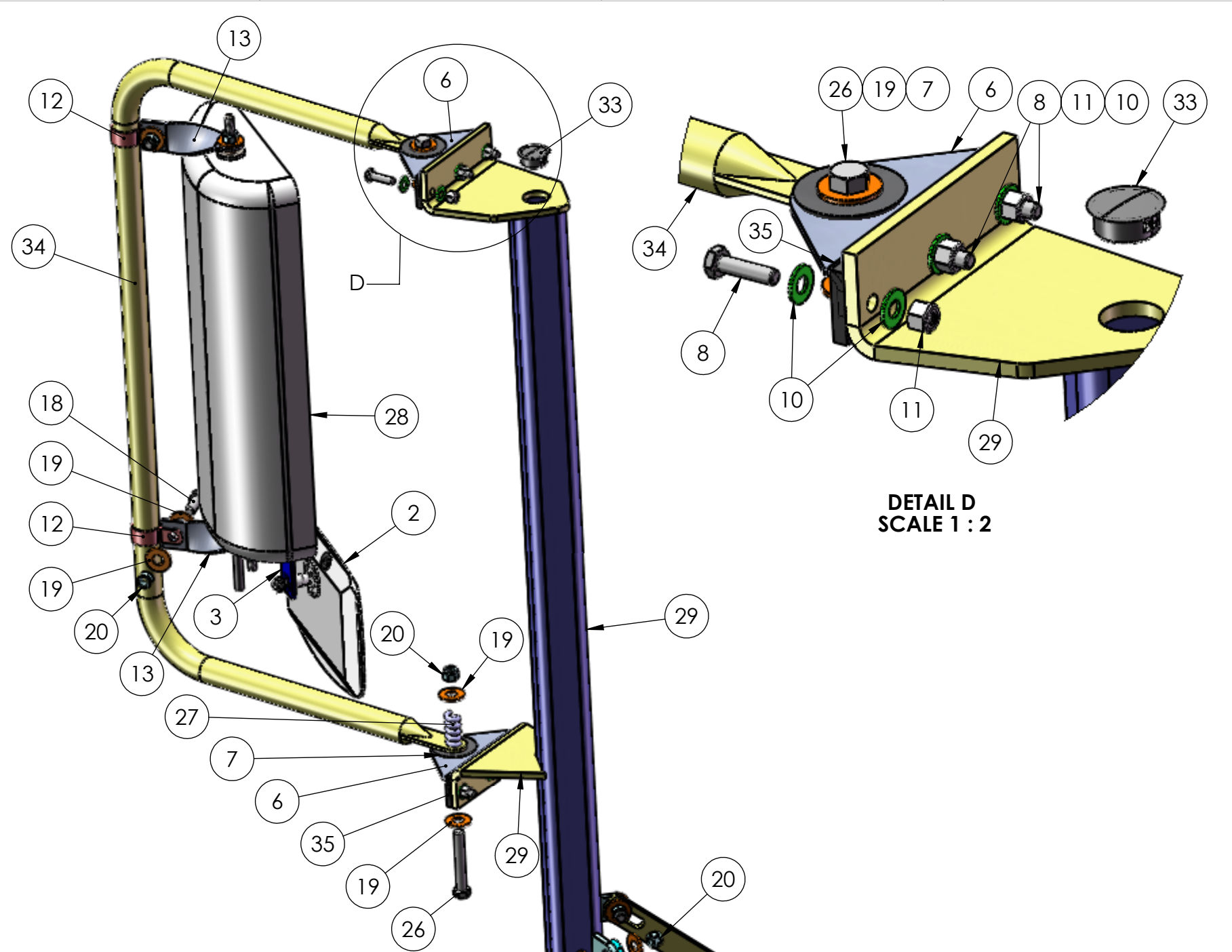
TICO PRO-SPOTTER				
S/N		MIRROR, MOTORIZED LH & RH, HEATED,RECT CONVEX, 122"		71581
ITEM	PART #	QTY/M	DESCRIPTION	TASK
	71581-D1	REF	MIRROR INSTALLATION	
1	50170	1	MIRROR, MOTORIZED HEATED-LH	
2	50182	2	MIRROR, CONVEX	
3	12067	2	BRACKET, MIRROR	
4	50241	2	BRACKET, MIRROR, UPPER	
5	50243	2	BRACKET, MIRROR, LOWER	
6	50238	6	MOUNT, ANGLE	
7	60857	4	ISOLATOR, RUBBER	
8	80361	6	BOLT, HEX, 1/4-20 NC X 1 LG, SS	
9	80322	8	BOLT, HEX, 1/4-20 NC X 1 1/2 LG, SS	
10	80311	28	WASHER, FLAT, 1/4, SS	
11	80360	14	NUT, NYLOCK, 1/4-20	
12	50239	5	CLAMP, 1"	
13	50240	4	BRACKET, TWISTED	
14	50242	2	BRACE, HORIZ MIRROR, FWD	
15	50235	2	BRACE, HORIZ MIRROR, AFT	
16	50234	1	LOOP, MIRROR, 11"	
17	80316	6	BOLT, HEX, 3/8-16 X 1 1/4 LG, SS	
18	80315	11	BOLT, HEX, 3/8-16 X 1 LG, SS	
19	80314	46	WASHER, FLAT, 3/8, SS	
20	80320	25	NUT, NYLOCK, 3/8-16, SS	
21	50237	1	STABLIZER TUBE, OUTER	
22	50254	1	STABLIZER TUBE, INNER	
23	50255	1	COLLAR, STABLIZER TUBE	
24	50256	1	SET SCREW, COLLAR	
25	80318	2	BOLT, HEX, 3/8-16 X 2 3/4 LG, SS	
26	80329	2	BOLT, HEX, 3/8-16 X 2 1/2 LG, SS	
27	50250	4	SPRING, COMPRESSION, SS	
28	50180	1	MIRROR, MOTORIZED, HEATED, RH	
29	91600	1	STANCHION, MIRROR	
30	90511-2	1	BRACE, MIRROR POST, REAR	
31	90511-3	1	BRACE, MIRROR POST, FRONT	
32	40140	2	GROMMET, 3/4 ID X 1"	
33	42085	1	CAP, HOLE PLUG, 1" DIA. HOLE	
34	50236	1	LOOP, MIRROR, 14"	
35	91609	2	ISOLATOR, RUBBER	
REV	DATE	BY		SHEET
				1 OF 2
TICO MANUFACTURING - RIDGELAND, SC 29936				



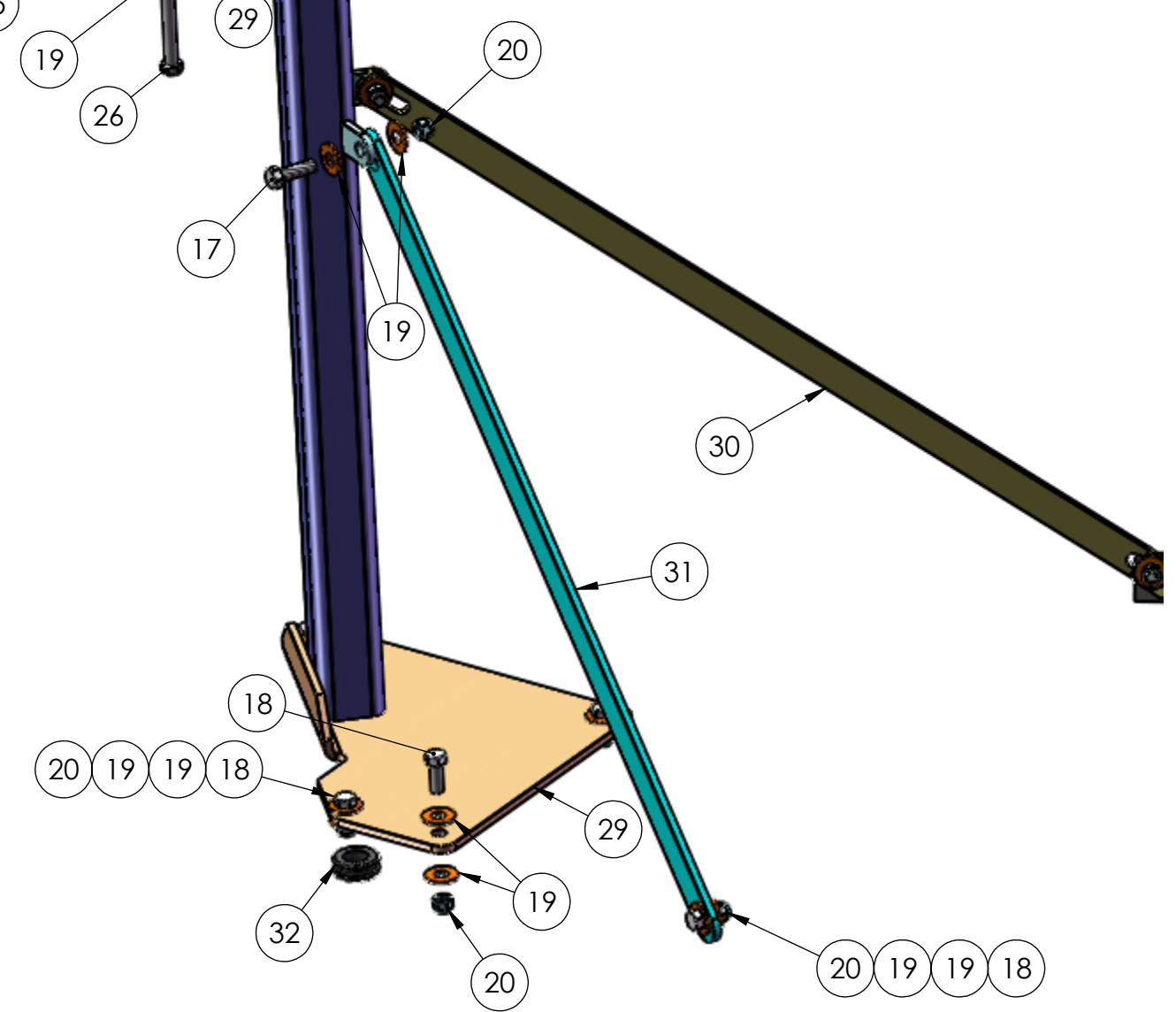
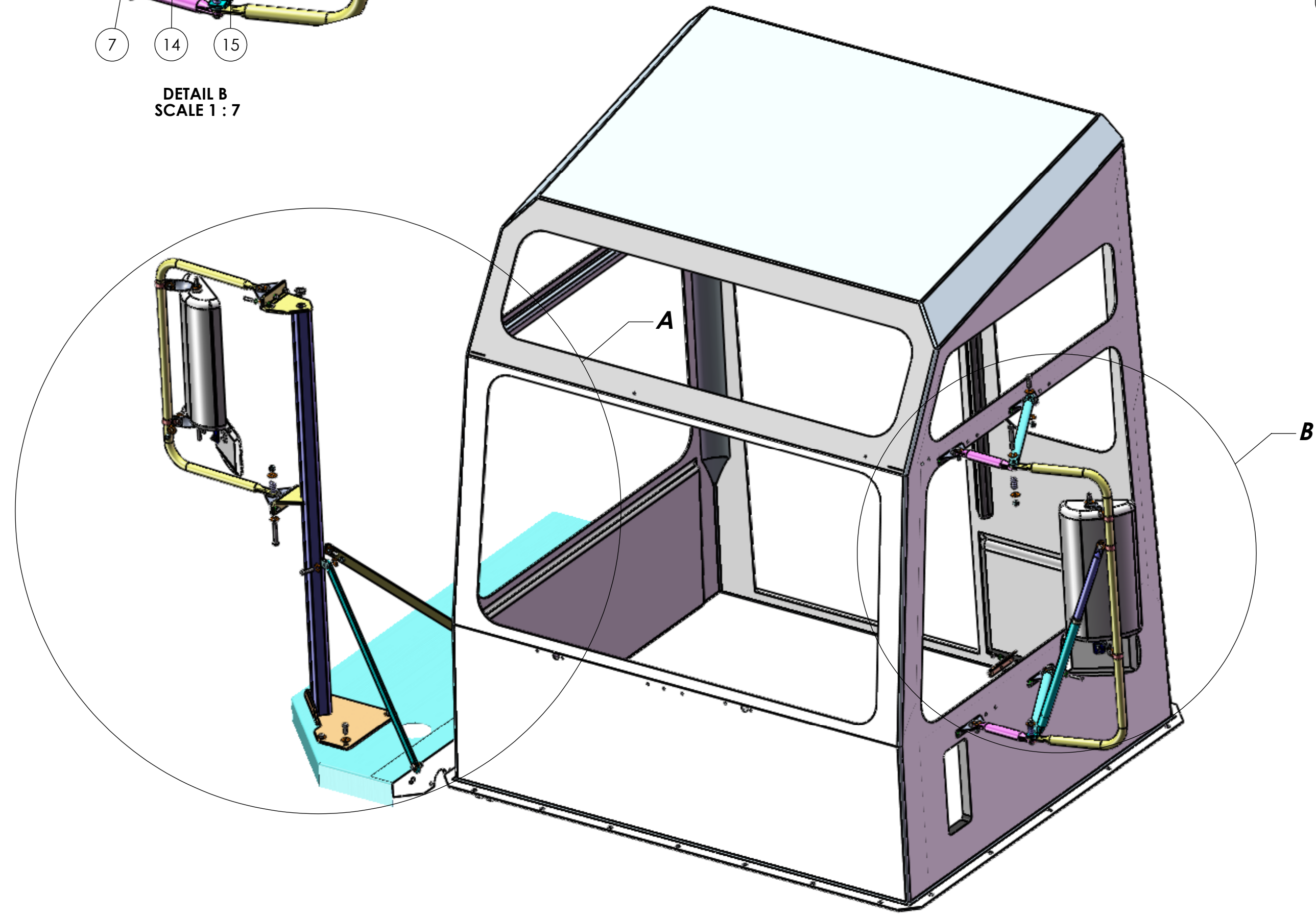
DETAIL B
SCALE 1 : 7



DETAIL C
SCALE 1 : 2



DETAIL D
SCALE 1 : 2



DETAIL A
SCALE 1 : 5

DIMENSIONS ARE IN INCHES		NAME	DATE	TICO/TERMINAL SERVICE 66 CYPRESS RIDGE DR. RIDGELAND, SC 29936 (843) 717-2226
TOLERANCES:		DRAWN	RWC 12/27/11	
DECIMAL:		CHECKED		
X.X ± 0.1250 X.XX ± 0.0625 X.XXX ± 0.0313 ANGULAR: ± 1° FRACTIONAL: ± 1/16"		APPROVED		
INTERPRET GEOMETRIC TOLERANCING PER: ASME 14.5M-1994		DO NOT SCALE DRAWING		TITLE:
MATERIAL		THE SUBJECT MATTER SHOWN AND DESCRIBED IN THIS DRAWING AND ANY OTHER INFORMATION ADVANCED IN CONNECTION THEREWITH IS PROPRIETARY PROPERTY AND IS TO BE HELD IN STRICT CONFIDENCE BY YOU. ALL RIGHTS TO ANY INVENTIONS, DESIGNS, TRADE MARKS, TRADE NAMES AND COPYRIGHTS DISCLOSED ARE RESERVED TO TICO TERMINAL SERVICES, INC.		MIRROR, MOTORIZED LH & RH HEATED, RECT CONVEX 122"
FINISH		SIZE	DWG. NO.	REV
THICKNESS		C	71581-D1	D1
		SCALE: 1:10		SHEET 1 OF 1