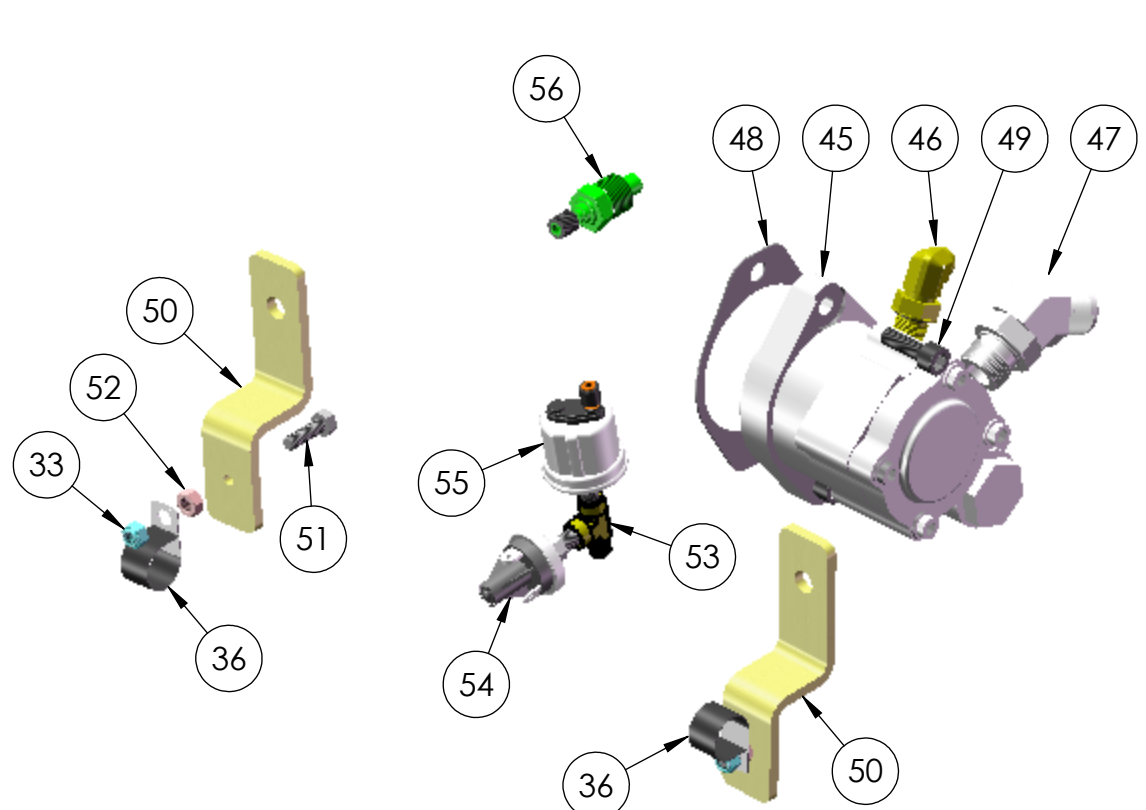


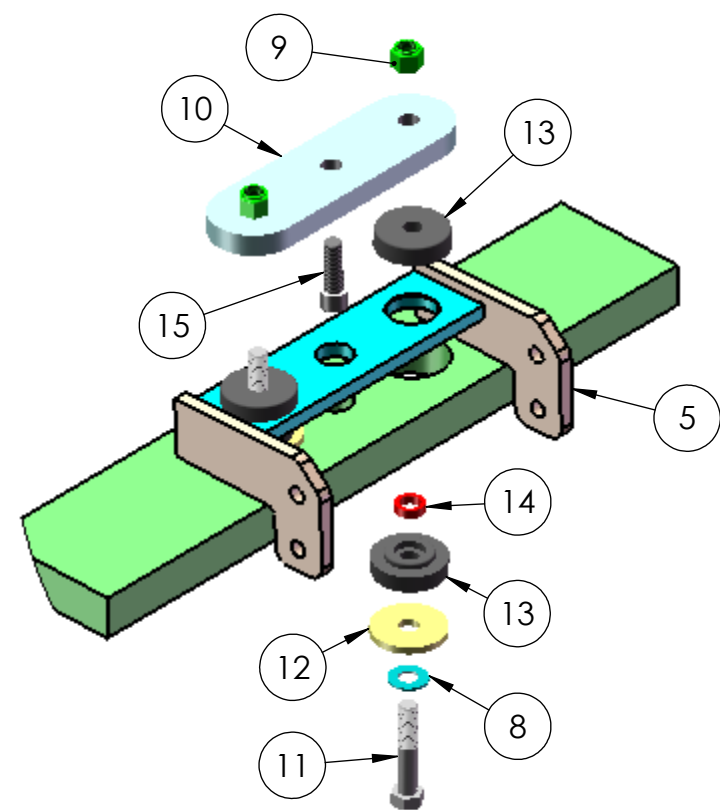
TICO PRO-SPOTTER

S/N:		ENG & TRANS, QSB 173HP/RDS 3000		71578
ITEM	PART #	QTY/M	DESCRIPTION	TASK
	71575-E1	REF	ENGINE & TRANSMISSION	
NOT SHOWN	61895	1	ENGINE, QSB 6.7 173HP 2200 RPM, 12V	
NOT SHOWN	60799-17	1	TRANSMISSION RDS 3000 TC 417 EO21220	
3	61945	1	TCM, 1ST-3RD SPEED, 1950 SHIFT CAL	
4	90892	1	SHIFTER, TRANSMISSION, PUSH BUTTON	
5	61845	1	ENGINE CRADLE, QSB3	
6	42070	2	SPACER, CRADLE	
7	82507	4	BOLT, HEX, 5/8-11 X 4 LG	
8	85094	8	WASHER, FLAT, 5/8	
9	85028	4	NUT, NYLOCK, 5/8-11	
10	60809	1	MOUNTING PLATE, FRONT ENGINE MOUNT	
11	82474	2	BOLT, HEX, 5/8-11 X 3 1/4 LG	
12	60113	2	WASHER, BOOM	
13	60814	4	ISOLATOR, FRONT ENGINE MOUNT, DUEL SYS	
14	10971	2	SPACER, FRONT ENGINE MOUNT	
15	80341	1	BOLT, DRILLED HD, M16 X 2 X 45 MM, 10.9 SHCS	
16	60981	1	MOUNT, REAR ENGINE, LH	
17	60982	1	MOUNT, REAR ENGINE, RH	
18	80240	12	BOLT, M12 X 1.5 X 35 MM, 10.9	
19	82530	2	BOLT, HEX, 3/4-10 X 4 1/2 LG	
20	85095	2	WASHER, FLAT, 3/4	
21	60740	2	WASHER, 3/4, REAR ENGINE MOUNT	
22	60136	2	ISOLATOR, REAR ENGINE	
23	60740-1	2	WASHER, 3/4, REAR ENGINE MOUNT	
24	85029	2	NUT, NYLOCK, 3/4-10	
25	60799-6	6	BOLT KIT, FLEX PL, TORQ CONV, 10 MM-1.5 X 30, HEX HD, 10.9	
26	60799-12	12	BOLT KIT, FLYWHEEL HSG, 10 MM-1.5 X 35, SERRATED HEX HD	
27	60747	1	ACCELERATOR PEDAL, ISB10 MODIFIED	
28	90632	1	MOUNTING PLATE, ELECTRIC THROTTLE	
29	83318	2	SCREW, SOCKET HD, 3/8-16 X 3 1/2 LG	
30	85113	2	WASHER, FLAT, 3/8	
31	85036	2	NUT, NYLOCK, 3/8-16	
32	85090	2	WASHER, FLAT, 5/16	
33	85024	2	NUT, NYLOCK, 5/16-18	
REV	DATE	BY		SHEET
				1 OF 3

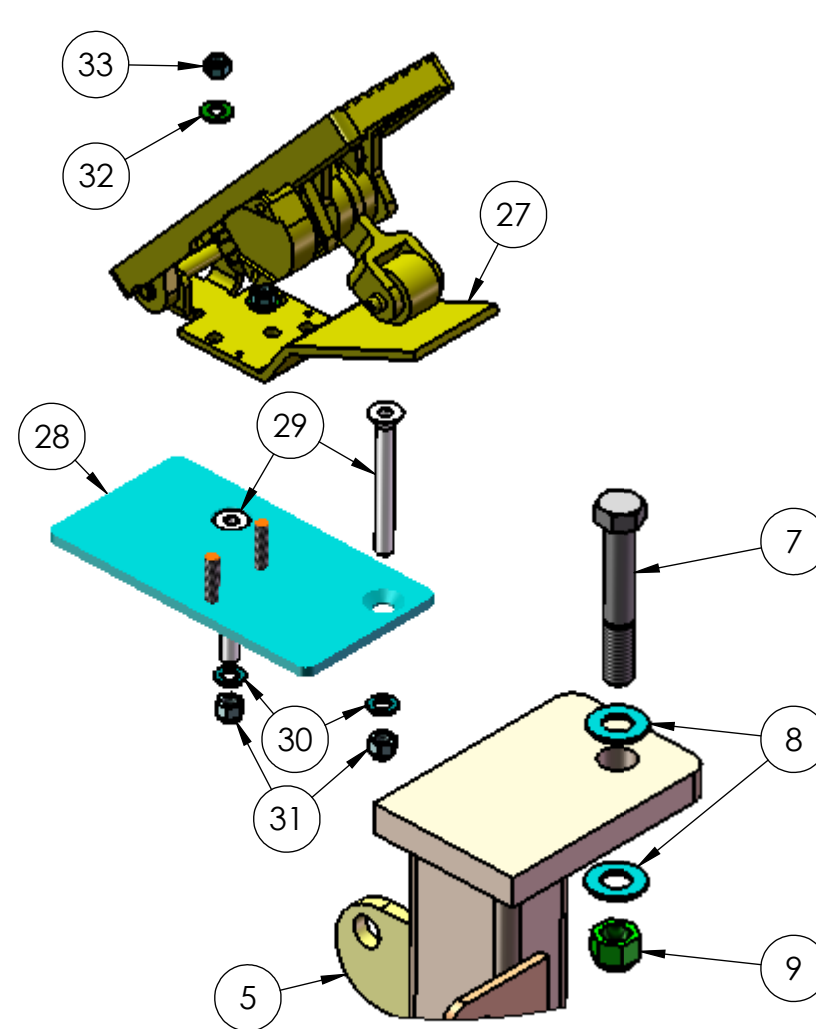
TICO PRO-SPOTTER				
S/N:		ENG & TRANS, QSB 173HP/RDS 3000		71578
ITEM	PART #	QTY/M	DESCRIPTION	
34	61574	1	TRANS, DIPSTICK	
35	12091	1	SPACER, DIPSTICK CLIP	
36	40593	4	P-CLAMP	
37	82426	1	BOLT, HEX, 5/16-18 X 2 1/4 LG	
38	85134	2	LOCKWASHER, 5/16	
39	60953	1	PTO, CONSTANT MESH RDS3000	
40	90910	1	BRACKET SUPPORT, POS & NEG CABLES	
41	90921	1	SUPPORT BRKT, PTO/PUMP	
42	82429	2	BOLT, HEX 1/2-13 X 2 1/4 LG	
43	85137	2	LOCKWASHER, 1/2	
44	85093	2	WASHER, FLAT, 1/2	
45	61916	1	PUMP, STEERING, 4 GPM, 2150 PSI, FLOW CONTROL, IXETIC	
46	40460	1	FITTING, 90°, 1/2 O RING X 1/2 JIC	
47	60878	1	FITTING, 45°, 3/4 O RING X 3/4 JIC	
48	60212	1	GASKET, HYDRAULIC PUMP	
49	80175	2	BOLT, SHS, 10 MM X 1.50 X 30	
50	60956	2	BRACKET, TRANS HOSE	
51	82371	2	BOLT, HEX, 5/16-18 X 1 LG	
52	85013	2	NUT, HEX, 5/16-18	
53	40467	1	FITTING, BRANCH TEE, 1/4 NPT	
54	60061	1	PRESSURE STAT, 10 PSI	
55	91068	1	SENSOR, OIL PRESS GAUGE	
56	91069	1	SENSOR, WATER TEMP GAUGE	
57	60031	1	VALVE, HEATER, SHUT OFF	
58	40844	1	ELBOW, STREET, 3/8 MPT X 3/8 FPT	
59	40751	1	REDUCER, 1/2 MPT X 3/8 FPT	
NOT SHOWN	40804	2	HOSE, HEATER, 5/8 X 84, ENGINE/CAB HEATER	
NOT SHOWN	42150	4	CLAMP, HOSE, WORM GEAR, 7/16 TO 1	
NOT SHOWN	41037	1	HOSE ASSY, TRANS, PTO	
NOT SHOWN	41026	2	HOSE, HYD TRANS TO COOLER	
NOT SHOWN	61530	1	WIRE HARNESS, TRANSMISSION/ABS	
REV	DATE	BY		SHEET
				2 OF 3



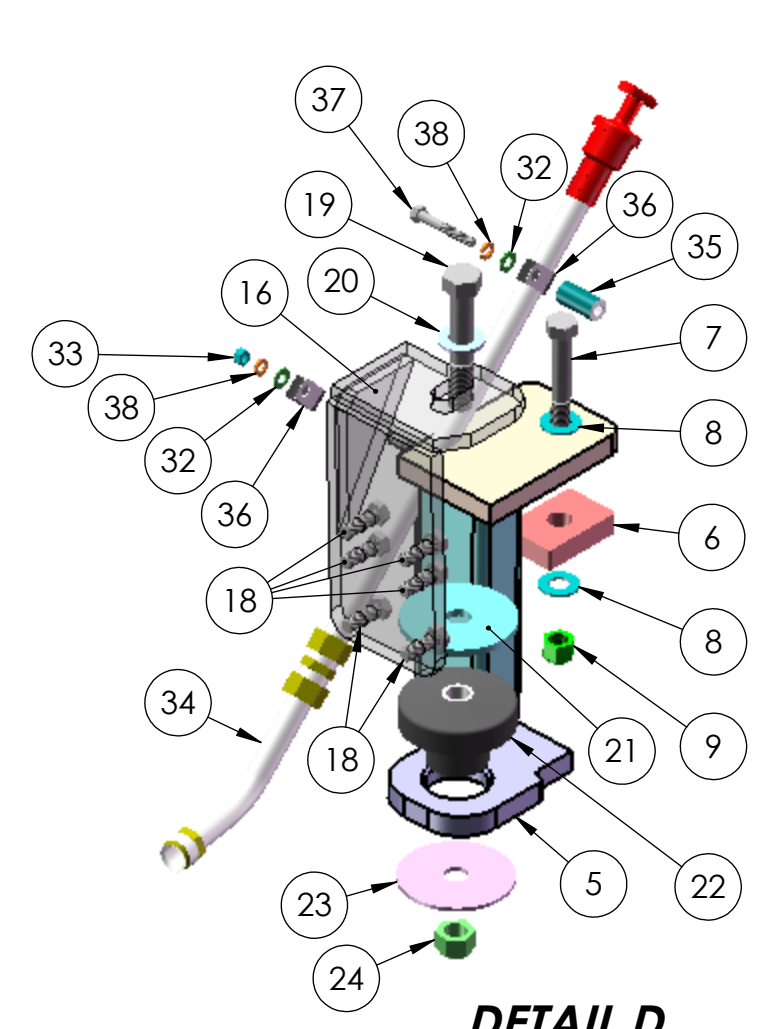
**DETAIL A
SCALE 1 : 4**



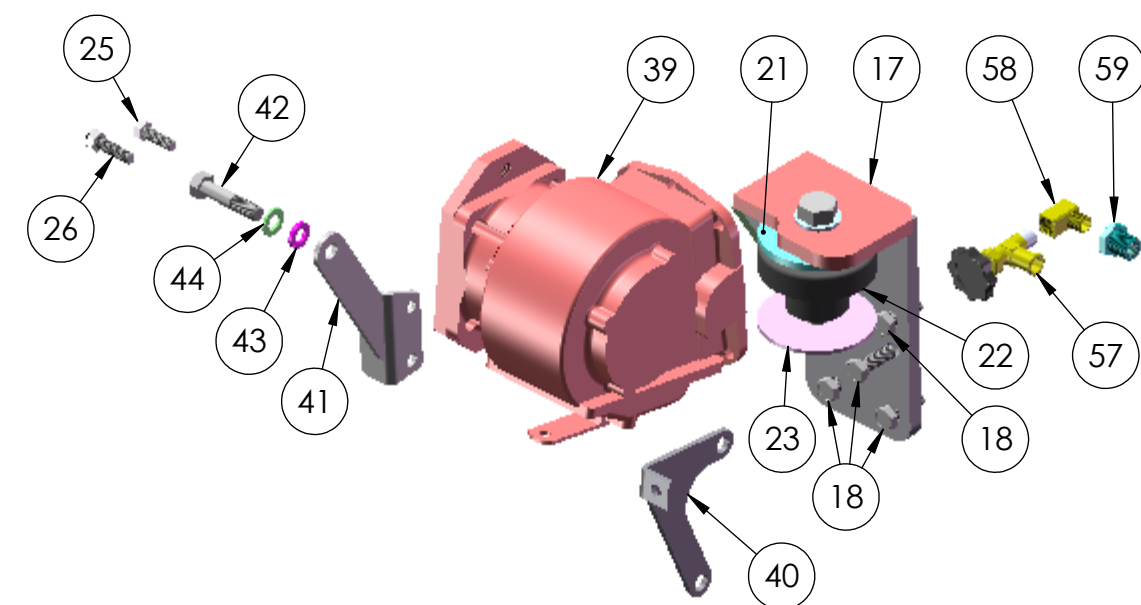
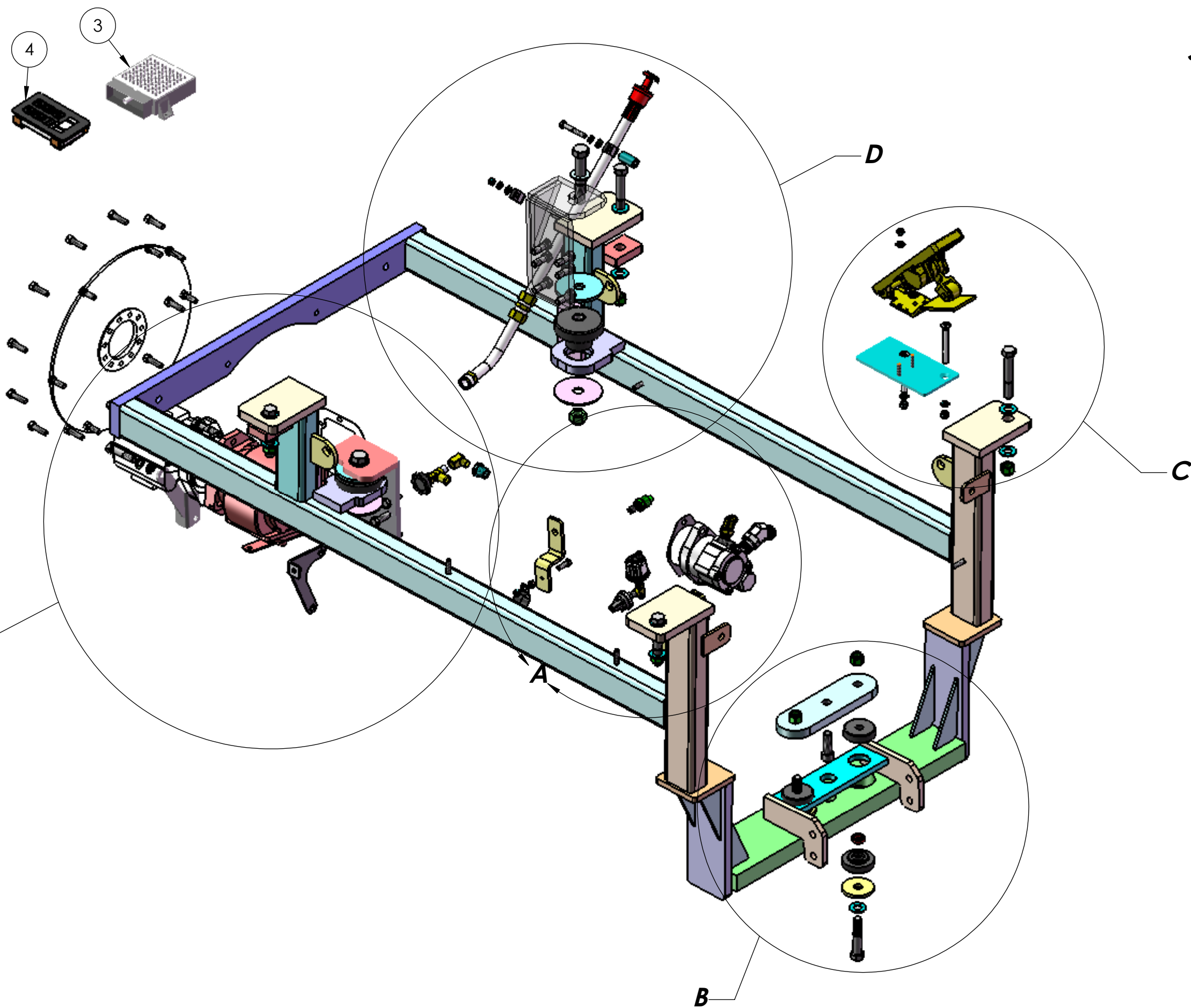
**DETAIL B
SCALE 1 : 6**



**DETAIL C
SCALE 1 : 4**



**DETAIL D
SCALE 1 : 6**



**DETAIL E
SCALE 1 : 6**

NOTE: ENGINE AND TRANSMISSION NOT SHOWN

DIMENSIONS ARE IN INCHES	NAME	DATE	TICO/TERMINAL SERVICE 66 CYPRESS RIDGE DR. RIDGELAND, SC 29936 (843) 717-2226	
TOLERANCES:	DRAWN	WHC		8/08/12
DECIMAL:	CHECKED			
X.X ± 0.06 X.XX ± 0.03 X.XXX ± 0.005 ANGULAR: ± 0.5° FRACTIONAL: ± 1/32"	APPROVED		TITLE:	
INTERPRET GEOMETRIC TOLERANCING PER: ASME 14.5M-1994	DO NOT SCALE DRAWING		ENGINE & TRANSMISSION	
MATERIAL	THE SUBJECT MATTER SHOWN AND DESCRIBED IN THIS DRAWING AND ANY OTHER INFORMATION ADVANCED IN CONNECTION THEREWITH, IS PROPRIETARY PROPERTY AND IS TO BE HELD IN STRICT CONFIDENCE BY YOU. ALL RIGHTS TO ANY INVENTIONS, DESIGNS, TRADE MARKS, TRADE NAMES AND COPYRIGHTS DISCLOSED ARE RESERVED TO TICO TERMINAL SERVICES, INC.		SIZE DWG. NO. REV	
FINISH			C 71575-E1 E1	
THICKNESS			SCALE: 1:16 SHEET 1 OF 1	