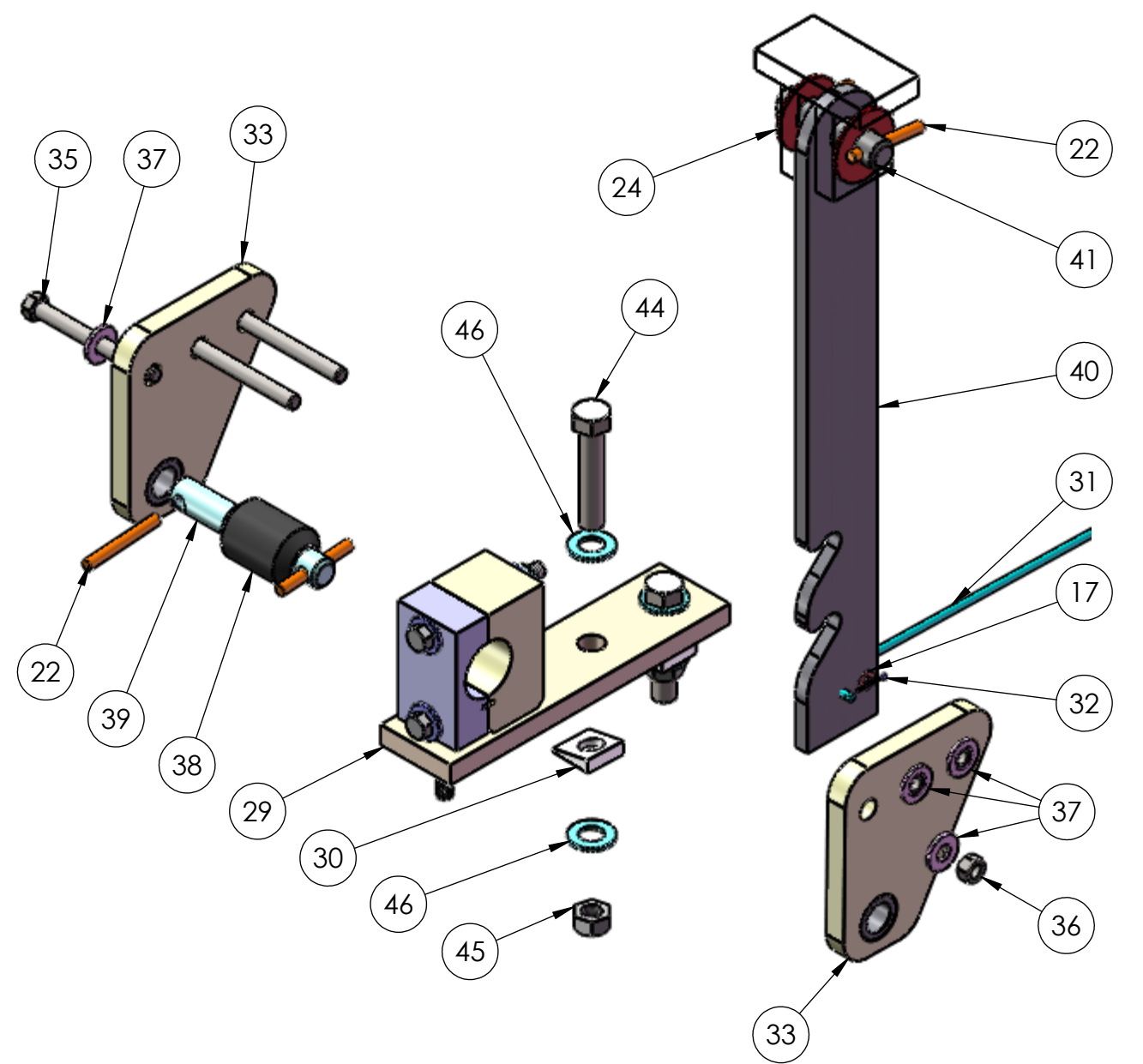
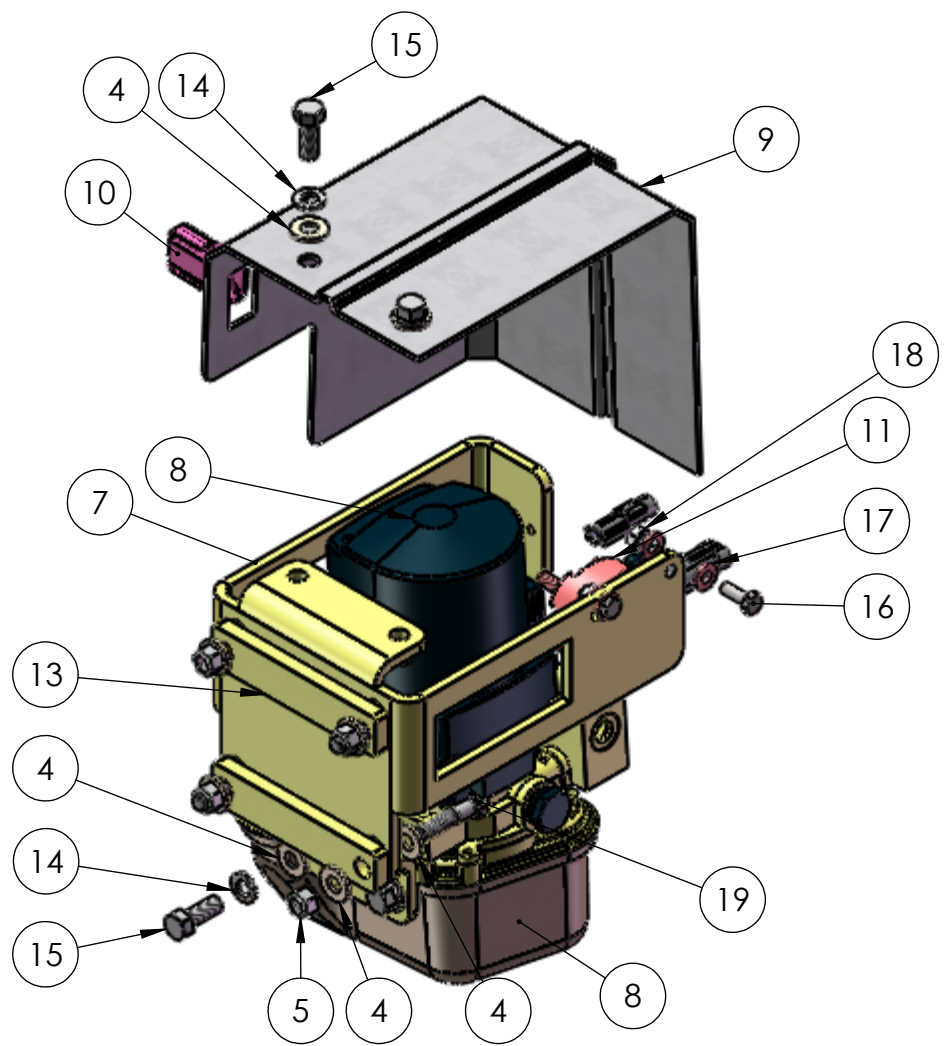


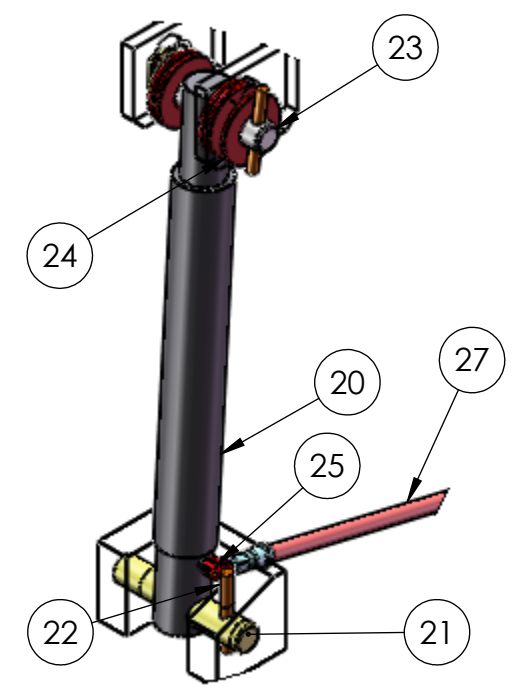
TICO PRO-SPOTTER				
S/N:		CAB SUSPENSION, PIVOT & LIFT		71517
ITEM	PART #	QTY/M	DESCRIPTION	TASK/REV
	71327-C1	REF	CAB SUSPENSION-CUSHION, PIVOT, LIFT & LATCH SYS	
1	30096-1	2	LATCH, CAB CUSHION AIR RIDE	
2	30096-5	4	WASHER, BUSHING RETAINER CAB CUSHION	
3	82383	16	BOLT, HEX, 3/8-16 X 1 1/4	
4	85113	52	WASHER, 3/8	
5	85025	24	NUT, NYLOCK, 3/8-16	
6	30096	1	AIR BAG KIT	
7	20115-1	1	BRACKET, CAB LIFT PUMP	
8	42057	1	PUMP, HYDRAULIC/ELECTRIC MOTOR, CA	
9	20182	1	COVER, CAB LIFT PUMP	
10	91522	1	SWITCH, CAB LIFT PUMP	
11	60015	1	SOLENOID, CAB LIFT PUMP	
12	61808	1	HARNESS, CAB PUMP	
13	20117	2	SPACER, CAB LIFT BRACKET	
14	85135	4	LOCKWASHER, 3/8	
15	82372	8	BOLT, HEX, 3/8-16 X 1 LG	
16	82359	2	BOLT, HEX, 1/4-20 X 3/4 LG	
17	85111	4	WASHER, 1/4	
18	85034	2	NUT, NYLOCK, 1/4-20	
19	82394	4	BOLT, HEX, 3/8-16 X 1 1/2 LG	
NOT SHOWN	40987	1	FITTING, 45°, #4 JIC	
20	30045	1	CYLINDER, CAB LIFT	
21	10071-4	1	PIN, CAB LIFT CYLINDER, LOWER	
22	40018	8	PIN, 3/8	
23	90341	1	PIN, CAB LIFT CYLINDER, UPPER	
24	85119	11	WASHER, 1"	
25	30140	1	FITTING, CYL ORIFICE	
26	41151	1	HOSE ASSY, NO 4, OAL, 41 1/2 LG, STR/90°	
27	40310	1	HOSE ASSY, NO 4, OAL, 53 1/4 LG, STR/STR	
28	41228	1	HOSE ASSY, NO 4, OAL, 80 1/2 LG, STR/90°	
29	10556-LH	2	PIVOT BLOCK, CAB	
30	NOT APPLICABLE		BEVELED SQ. WASHER PLN 3/4 x 13/16 x 1 1/2 x 0.31	
REV	DATE	BY		SHEET
				1 OF 2



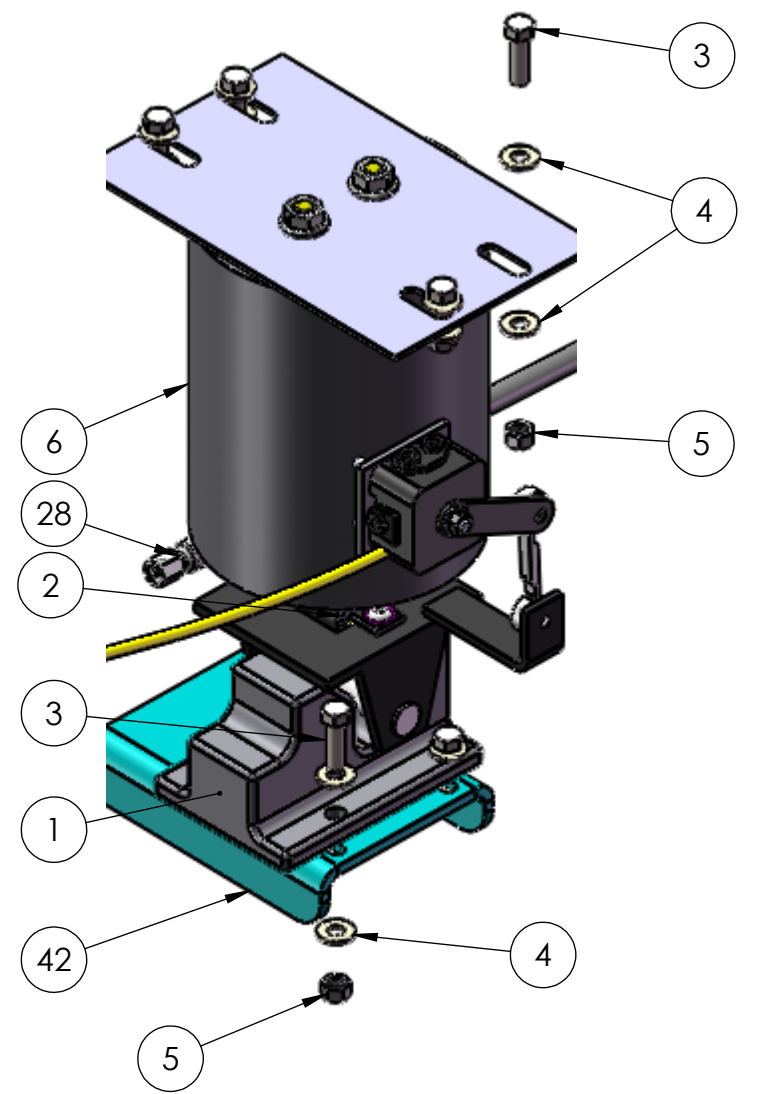
DETAIL A
SCALE 1 : 5



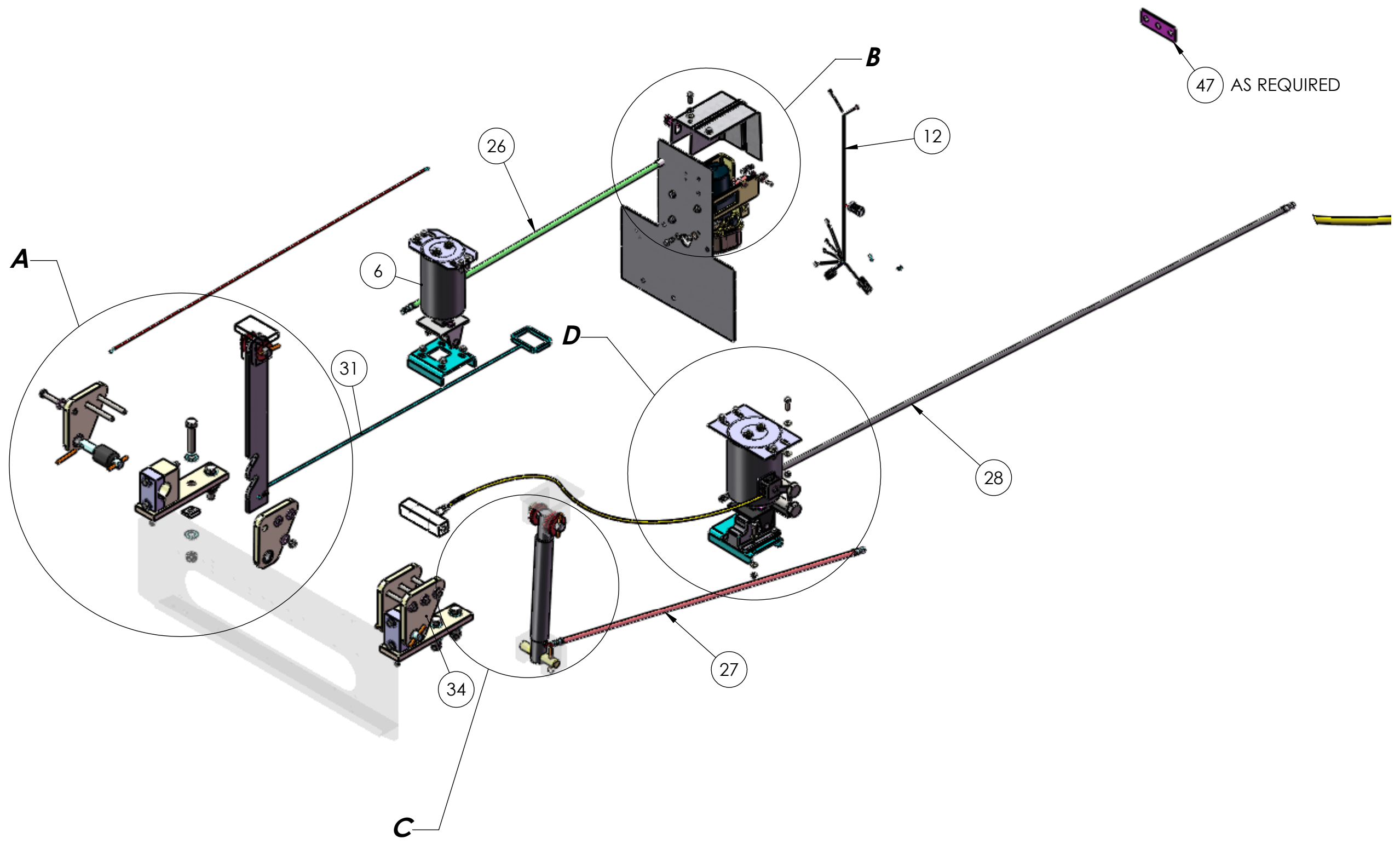
DETAIL B
SCALE 1 : 4



DETAIL C
SCALE 1 : 6



DETAIL D
SCALE 1 : 4



DIMENSIONS ARE IN INCHES		NAME	DATE	TICO/TERMINAL SERVICE 66 CYPRESS RIDGE DR. RIDGELAND, SC 29936 (843) 717-2226	
TOLERANCES:		DRAWN	WHC		8/06/12
DECIMAL:		CHECKED			
X.X ± 0.1250 X.XX ± 0.0625 X.XXX ± 0.0313 ANGULAR: ± 1° FRACTIONAL: ± 1/16"		APPROVED			
INTERPRET GEOMETRIC TOLERANCING PER: ASME 14.5M-1994		DO NOT SCALE DRAWING			TITLE:
MATERIAL		THE SUBJECT MATTER SHOWN AND DESCRIBED IN THIS DRAWING AND ANY OTHER INFORMATION ADVANCED IN CONNECTION THEREWITH IS PROPRIETARY PROPERTY AND IS TO BE HELD IN STRICT CONFIDENCE BY YOU. ALL RIGHTS TO ANY INVENTIONS, DESIGNS, TRADE MARKS, TRADE NAMES AND COPYRIGHTS DISCLOSED ARE RESERVED TO TICO TERMINAL SERVICES, INC.			CAB SUSPENSION-CUSHION, PIVOT, LIFT & LATCH SYS
FINISH: N/A		SIZE	DWG. NO.	REV	
THICKNESS		C	71327-C1	C1	
		SCALE: 1:4 WEIGHT: 1011.15 SHEET 1 OF 1			