

8 7 6 5 4 3 2 1

D

D

C

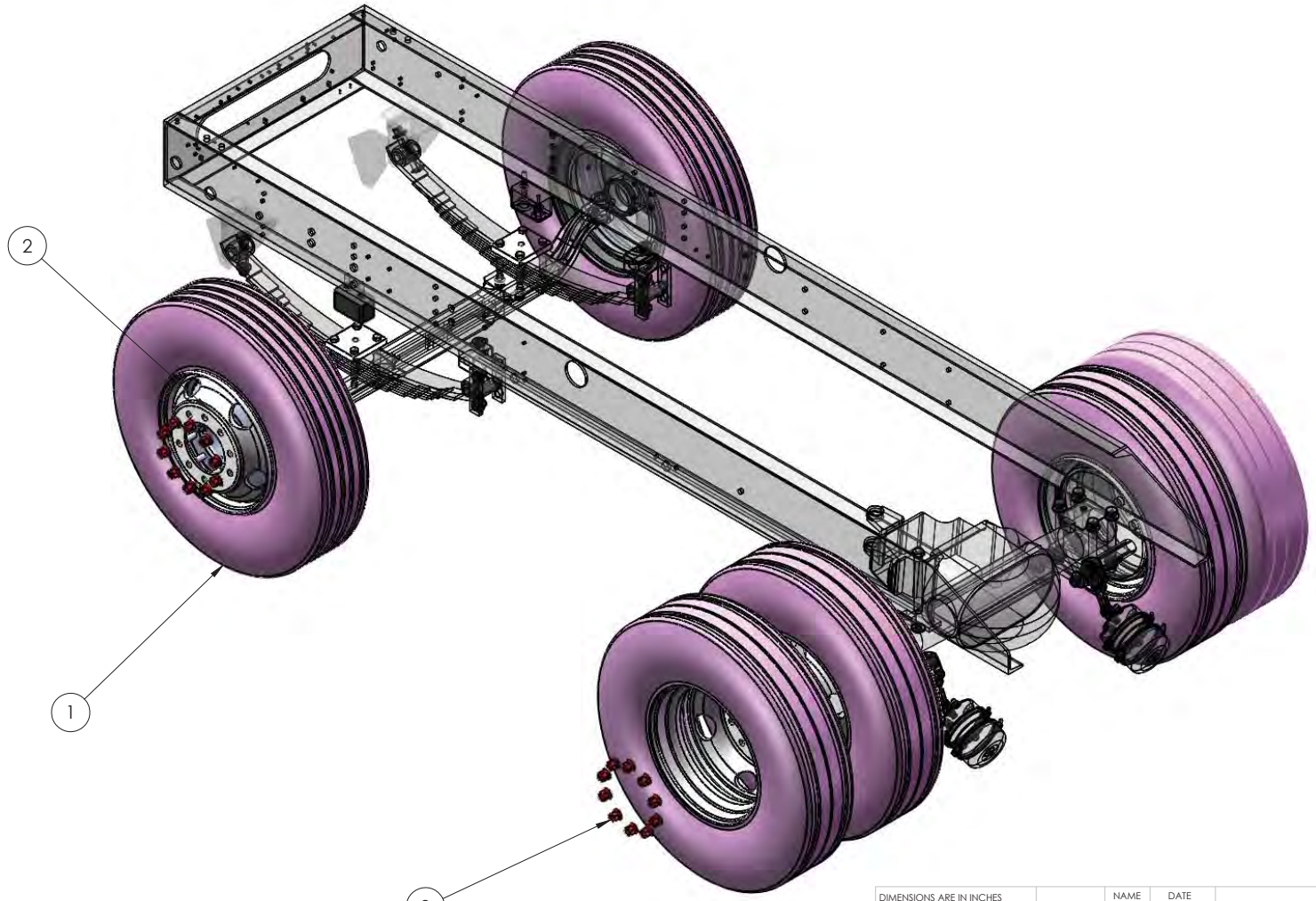
C


B

B

A

A



DIMENSIONS ARE IN INCHES		NAME	DATE	 TICO/TERMINAL SERVICE 66 CYPRESS RIDGE DR. RIDGELAND, SC 29936 (843) 717-2226	
TOLERANCES:		DRAWN	DFMC		12/18/15
DECIMAL:		CHECKED			
X.X ± 0.06		APPROVED			
X.XX ± 0.03		DO NOT SCALE DRAWING			
X.XXX ± 0.005		THE SUBJECT MATTER SHOWN AND DESCRIBED IN THIS DRAWING AND ANY OTHER INFORMATION ADVANCED IN CONNECTION THEREWITH, IS PROPRIETARY PROPERTY AND IS TO BE HELD IN STRICT CONFIDENCE BY YOU. ALL RIGHTS TO ANY INVENTIONS, DESIGNS, TRADE MARKS, TRADE NAMES AND COPYRIGHTS DISCLOSED ARE RESERVED TO TICO TERMINAL SERVICES, INC.			
ANGULAR: ± 0.5°					
FRACTIONAL: ± 1/32"					
INTERPRET GEOMETRIC TOLERANCING PER: ASME 14.5M-1994					
MATERIAL					
FINISH					
THICKNESS					
		TITLE:		ASSEMBLY TIRES & WHEELS	
SIZE	DWG. NO.	REV			
B	71506-B1				
SCALE: 1:16		SHEET 1 OF 1			

8 7 6 5 4 3 2 1

