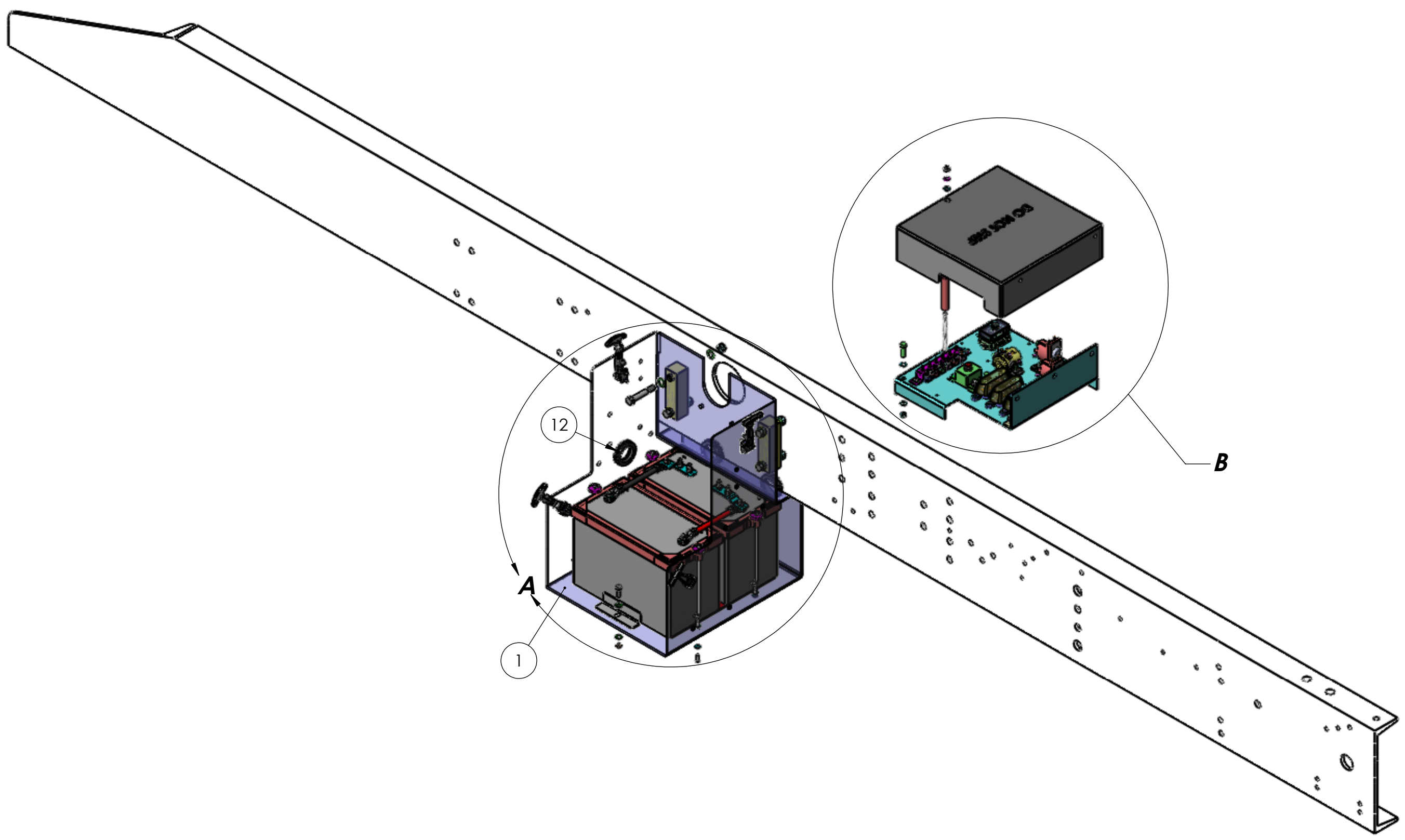
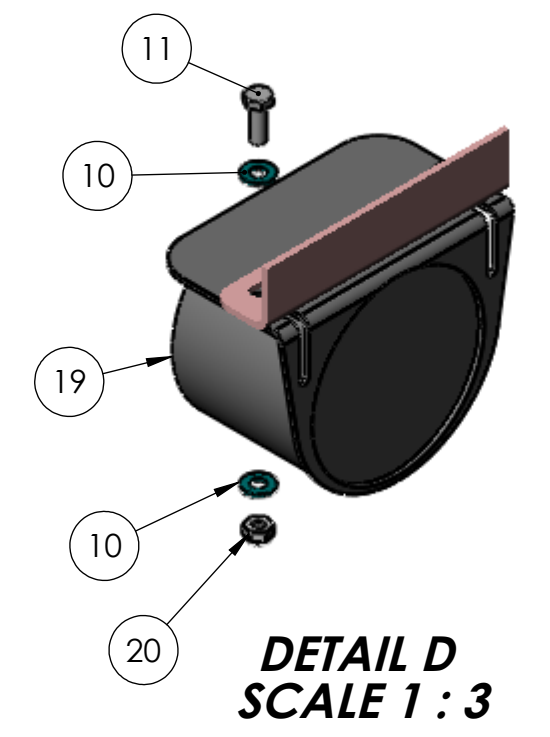
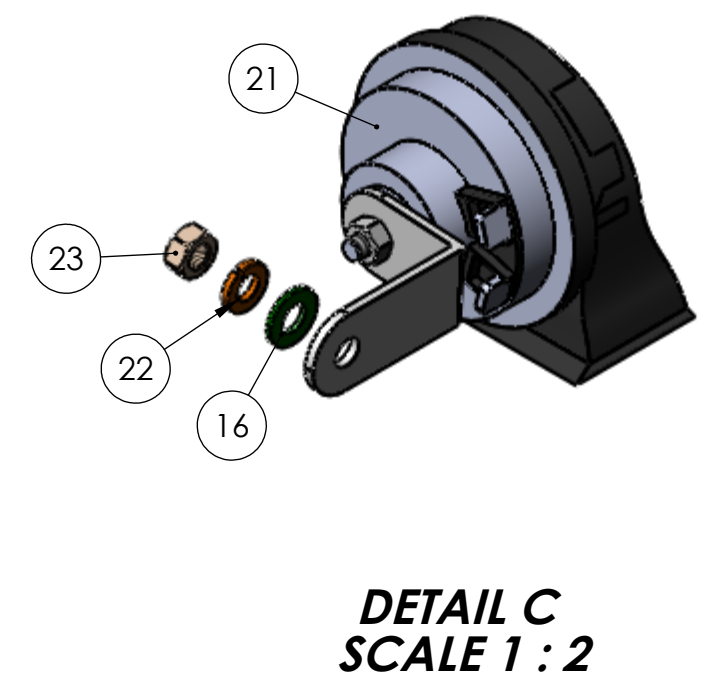
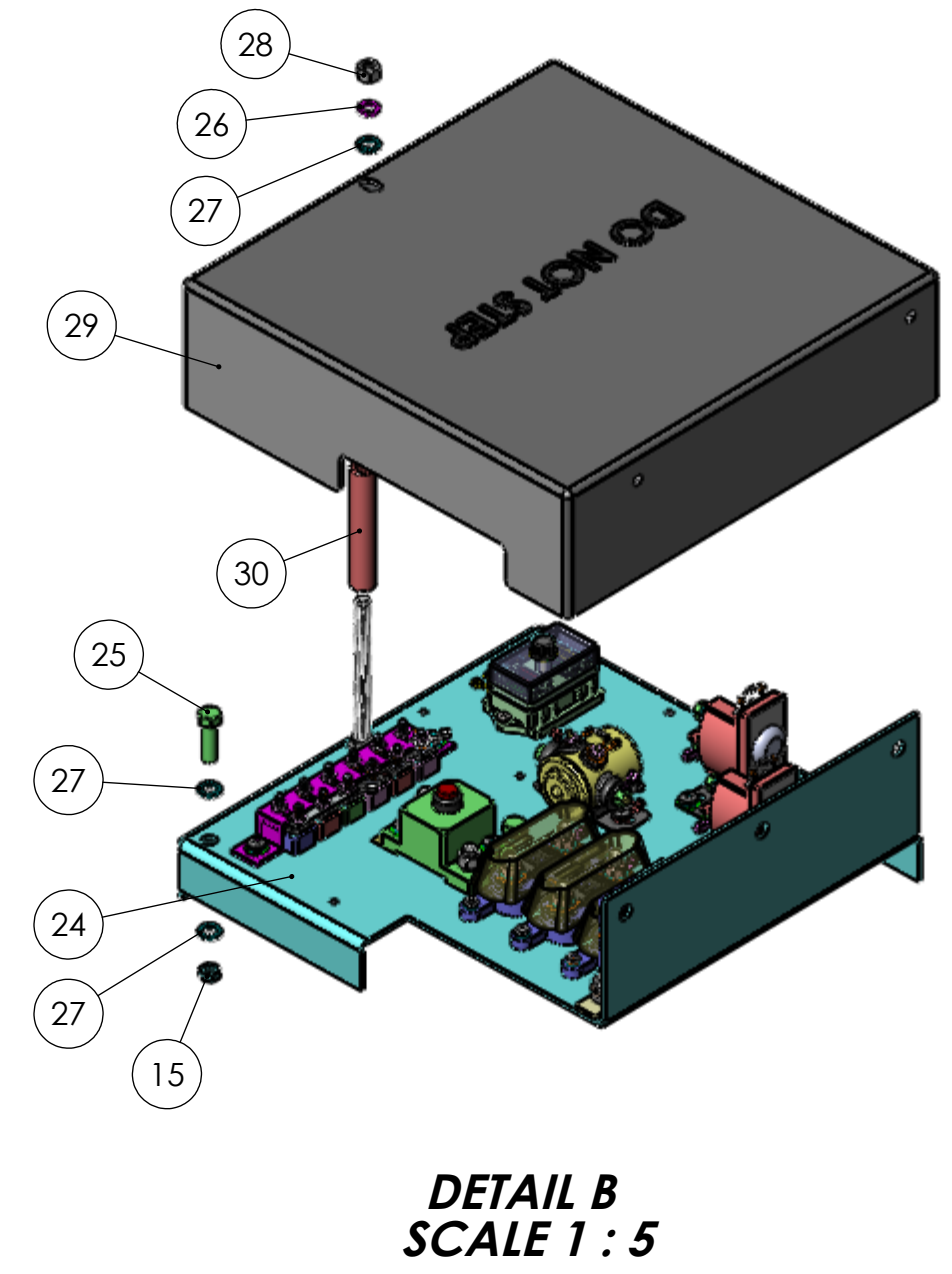
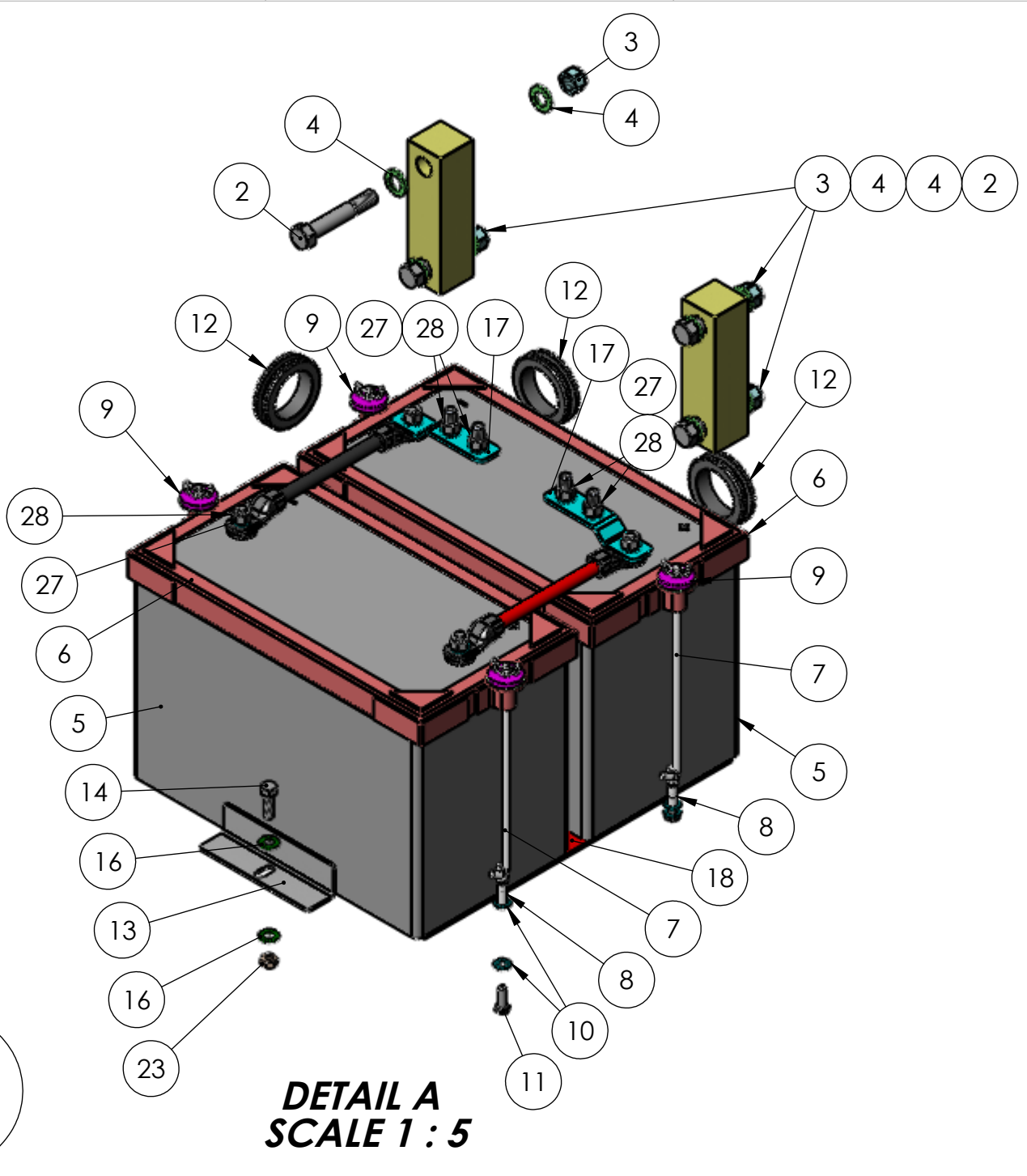


TICO PRO-SPOTTER				
S/N:		BATTERY & WIRING - QSB, 2 BATTERIES, ADJ ALARM		71470
ITEM	PART #	QTY/M	DESCRIPTION	TASK/REV
	71385-B1		BATTERY & WIRING - 2 BATTERIES	
1	61708	1	TRIPLE BATTERY BOX	
2	82462	4	BOLT,HEX, 1/2-13 X 3 LG	
3	85027	4	NUT, NYLOCK, 1/2-13	
4	85093	8	WASHER, FLAT, HARD, 1/2	
5	40193	2	BATTERY, 12V	
6	20075	2	HOLD DOWN, BATTERY	
7	20012	4	ASSEMBLY, J-BOLT	
8	20077	4	COUPLING, EYE, 1/4-20	
9	20012-4	4	WASHER, .25 x 1.25 x .88, GRAY, PLASTIC	
10	85089	8	WASHER, FLAT, HARD, 1/4	
11	82359	4	BOLT, HEX, 1/4-20 X 3/4 LG	
12	90120	3	GROMMET	
13	12070	1	BRACKET, BATTERY STOP	
14	82371	1	BOLT, HEX, 5/16-18 X 1" LG	
15	85024	1	NUT, NYLOCK, 5/16-18	
16	85090	2	WASHER, FLAT, HARD, 5/16	
17	90957	2	TERMINAL STRIP	
18	40210-2	1	RUBBER MAT, BATTERY BOX	
19	50226	1	ALARM, BACK-UP, SELF ADJUST	
20	85023	2	NUT, NYLOCK, 1/4-20	
21	90207	1	HORN, ELECTRIC	
22	85134	1	LOCKWASHER, 5/16	
23	85002	2	NUT, HEX, 5/16-18	
24	61675	1	CHASSIS PDC	
25	82383	2	BOLT, HEX, 3/8-16 X 1 1/4 LG	
26	85135	2	LOCKWASHER, 3/8	
27	85091	4	WASHER, FLAT, HARD, 3/8	
28	85014	1	NUT, HEX, 3/8-16	
29	91521	1	COVER, PDC PANEL	
30	61597	1	SPACER	
NOT SHOWN	91021	1	FUSE, 5A - F17	
NOT SHOWN	91023	3	FUSE, 10A, F4/F15/F19	
NOT SHOWN	91025	10	FUSE, 20A, F2/F3/F5/F7/F8/F9/F10/F14/F18/F20	
NOT SHOWN	91027	1	FUSE, 30A, F6	
REV	DATE	BY		SHEET
				1 OF 2





DIMENSIONS ARE IN INCHES		NAME	DATE	TICO/TERMINAL SERVICE 66 CYPRESS RIDGE DR. RIDGELAND, SC 29936 (843) 717-2226	
TOLERANCES:		DRAWN	RWC		4/10/12
DECIMAL:		CHECKED			
X.X ± 0.06 X.XX ± 0.03 X.XXX ± 0.005 ANGULAR: ± 0.5° FRACTIONAL: ± 1/32"		APPROVED			
INTERPRET GEOMETRIC TOLERANCING PER: ASME 14.5M-1994		DO NOT SCALE DRAWING			TITLE:
MATERIAL		THE SUBJECT MATTER SHOWN AND DESCRIBED IN THIS DRAWING AND ANY OTHER INFORMATION ADVANCED IN CONNECTION THEREWITH IS PROPRIETARY PROPERTY AND IS TO BE HELD IN STRICT CONFIDENCE BY YOU. ALL RIGHTS TO ANY INVENTIONS, DESIGNS, TRADE MARKS, TRADE NAMES AND COPYRIGHTS DISCLOSED ARE RESERVED TO TICO TERMINAL SERVICES, INC.			BATTERY & WIRING 2 BATTERIES
FINISH		SIZE	DWG. NO.	REV	
THICKNESS		<b>C</b>	71385-B1	B1	
		SCALE: 1:12		SHEET 1 OF 1	