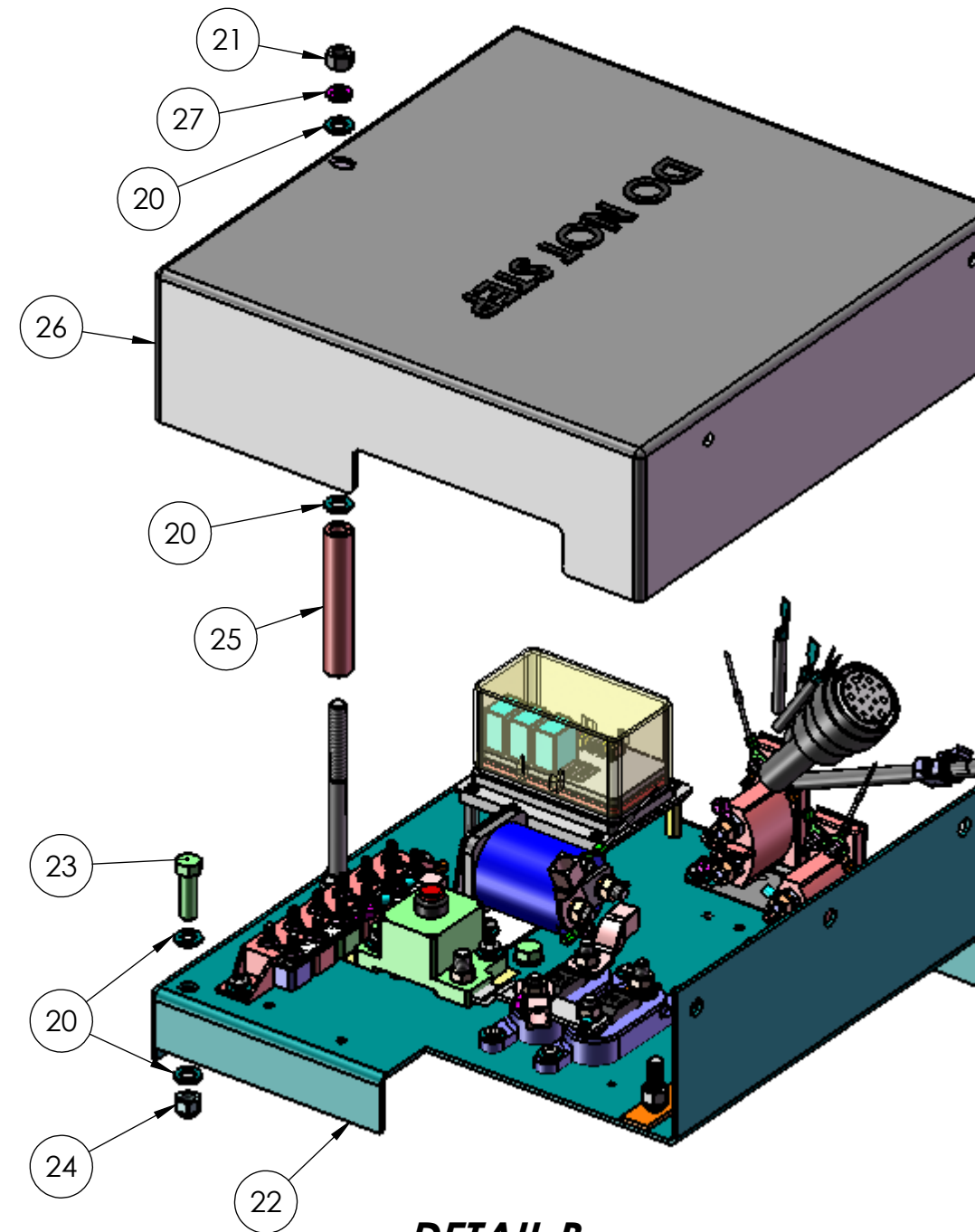
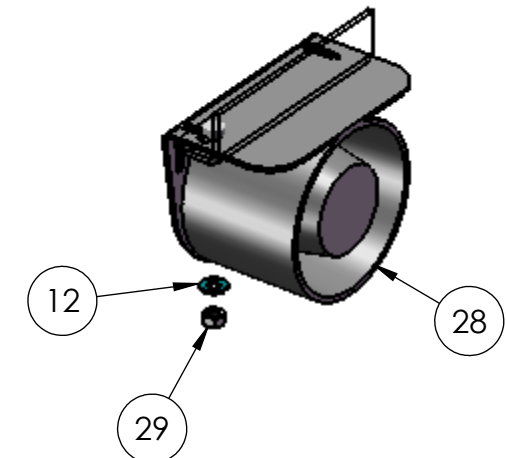


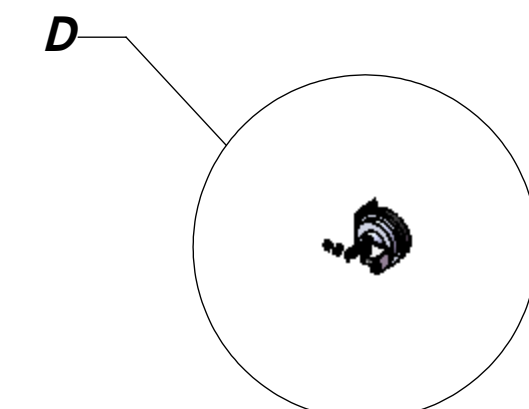
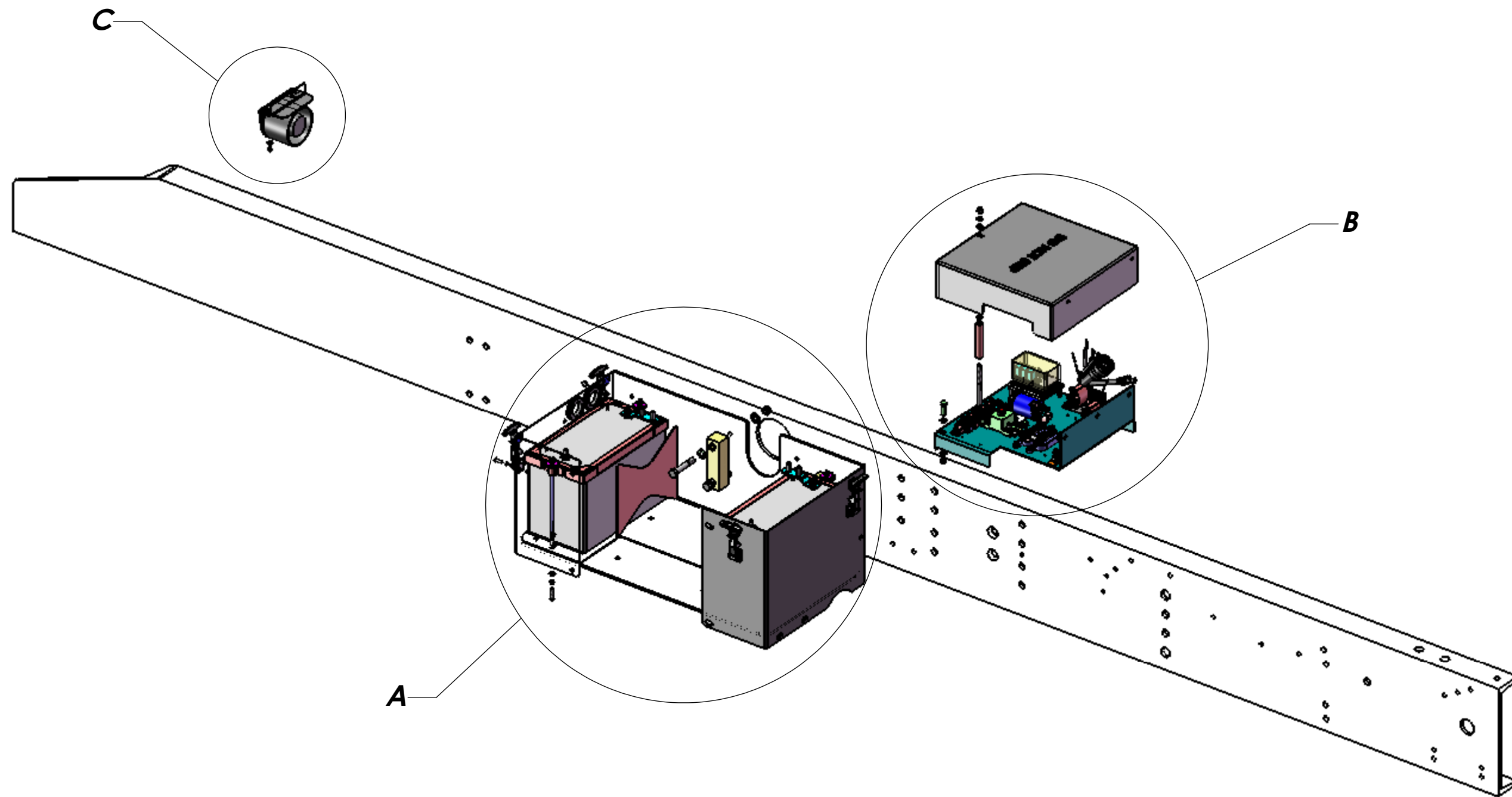
**DETAIL A
SCALE 1 : 4**



**DETAIL B
SCALE 1 : 4**



**DETAIL C
SCALE 1 : 4**



**DETAIL D
SCALE 1 : 4**

DIMENSIONS ARE IN INCHES

TOLERANCES:

DECIMAL:	X.X ± 0.06
	X.XX ± 0.03
	X.XXX ± 0.005
ANGULAR:	± 0.5°
FRACTIONAL:	± 1/32"

INTERPRET GEOMETRIC TOLERANCING PER: ASME 14.5M-1994

FINISH

THICKNESS

NAME	DATE
RWC	9/14/12
CHECKED	
APPROVED	
DO NOT SCALE DRAWING	
THE SUBJECT MATTER SHOWN AND DESCRIBED IN THIS DRAWING AND ANY OTHER INFORMATION ADVANCED IN CONNECTION THEREWITH IS PROPRIETARY PROPERTY AND IS TO BE HELD IN STRICT CONFIDENCE BY YOU. ALL RIGHTS TO ANY INVENTIONS, DESIGNS, TRADE-MARKS, TRADE NAMES AND COPYRIGHTS DISCLOSED ARE RESERVED TO TICO TERMINAL SERVICES, INC.	

		TICO/TERMINAL SERVICE 66 CYPRESS RIDGE DR. RIDGELAND, SC 29936 (843) 717-2226
TITLE: BATTERY & WIRING 2 BATTERIES		
SIZE	DWG. NO.	REV
C	71404-A1	A1
SCALE: 1:12		SHEET 1 OF 1

TICO PRO-SPOTTER				
S/N:		BATTERY & WIRING - ISB-2010 ON ROAD, 2 BATTERIES		71404
ITEM	PART #	QTY/M	DESCRIPTION	TASK/REV
	71404-A1		BATTERY & WIRING - 2 BATTERIES	
1	20107-10	1	TRIPLE BATTERY BOX	
2	82462	4	BOLT, HEX, 1/2-13 X 3 LG	
3	85093	8	WASHER, FLAT HARD, 1/2	
4	85027	4	LOCKNUT, NYLOCK, 1/2-13	
5	40210	2	RUBBER MAT, BATTERY BOX	
6	40193	2	BATTERY, 12V	
7	20075	2	BATTERY HOLD DOWN	
8	20012	4	ASSEMBLY, J-BOLT	
9	20077	4	COUPLING, EYE, 1/4-20	
10	82381	4	BOLT, HEX, 1/4-20 X 1 1/4 LG	
11	85133	4	LOCKWASHER, 5/16	
12	85089	8	WASHER, FLAT HARD, 1/4	
13	20012-4	4	WASHER, .25 X 1.25 X .88, GRAY, PLASTIC	
14	20030-17	4	RUBBER LATCH	
15	80196	8	SCREW, PH, 10-32 X 3/4" LG	
16	80232	8	WASHER, FLAT, 10-32	
17	80209	8	LOCKNUT, HEX, 10-32	
18	90114	2	GROMMET	
19	90957	2	TERMINAL STRIP	
20	85091	4	WASHER, FLAT HARD, 3/8	
21	85014	1	NUT, HEX, 3/8-16	
22	61774	1	CHASSIS PDC	
23	82383	2	BOLT, HEX 3/8-16 X 1 1/4 LG	
24	85025	1	NUT, NYLOCK, 3/8-16	
25	61597	1	SPACER, PDC COVER	
26	91521	1	COVER, PDC PANEL	
27	85135	1	LOCKWASHER, 3/8	
28	40198	1	ALARM, BACKUP	
29	85012	2	NUT, HEX, 1/4-20	
30	90207	1	HORN, ELECTRIC	
31	85090	1	WASHER, FLAT HARD, 5/16	
32	85134	4	LOCKWASHER, 5/16	
33	85002	2	NUT, HEX, 5/16-18	
REV	DATE	BY		SHEET
				1 OF 2

