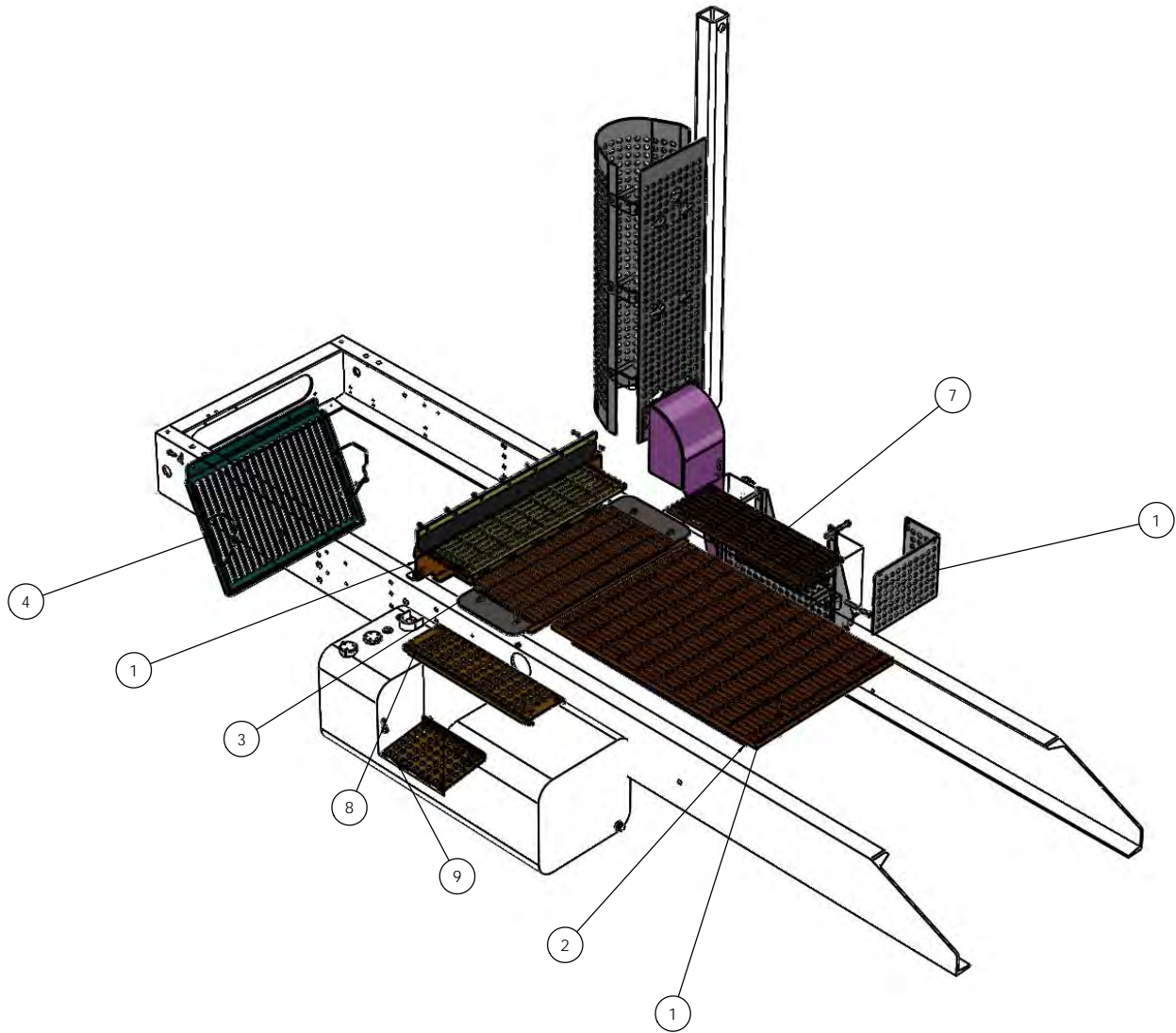


PAGE 1 LEFT REAR VIEW  
 PAGE 2 RIGHT REAR VIEW  
 PAGE 3-4 PARTS LIST



DIMENSIONS ARE IN INCHES		NAME	DATE
TOLERANCES:	DECIMAL	DESIGN	MAL 6/26/2017
	0.000	CHECKED	
	0.005	APPROVED	
	0.010		
	0.015		
	0.030		
	0.060		
	0.125		
FRACTIONAL		DOTTED SCALE DRAWING	
1/16"		THE SUBJECT MATTER SHOWN AND DESCRIBED IN THE DRAWING AND ANY OTHER INFORMATION CONTAINED HEREIN IS THE PROPERTY OF WACO AND IS TO BE USED FOR THE PURPOSES SPECIFIED HEREIN. ALL RIGHTS TO ANY PATENTS, TRADEMARKS, AND COPYRIGHTS NOTED ON THIS DRAWING ARE RESERVED TO WACO MANUFACTURING, INC.	
UNLESS:		TITLE: COVERS & GRATING, ISB10 H&M INTL	
SPEC:		SIZE	DWG. NO. 71393-A1
REV:		SCALE: 1:32	WEIGHT: SHEET 1 OF 2
SHEET:			

D 71393-A1



**TICO PRO-SPOTTER**

**COVERS & GRATINGS**

**71393**

ITEM	PART #	QTY/M	DESCRIPTION
	71393-A1	REF	COVERS & GRATINGS
1	30197	1	WELDMENT, BOOM COVER STD
	82383	4	BOLT, HEX 3/8-16 x 1 1/4" LG
	85113	4	WASHER, FLAT 3/8-16
	80205	4	NUT, FLANGE 3/8-16
2	30198	1	HEAT SHIELD - BOOM COVER
3	12218	1	GRATING, TRANSMISSION COVER
	82383	4	BOLT, HEX 3/8-16 x 1 1/4" LG
	85113	4	WASHER, FLAT 3/8-16
	80205	4	NUT, FLANGE 3/8-16
4	40173-1	1	GUARD, RADIATOR
	82394	3	BOLT, HEX 3/8-16 X 1-1/2 LG
	82383	4	BOLT, HEX 3/8-16 X 1 1/4 LG
	85113	14	WASHER, FLAT 3/8-16
	80205	7	NUT, FLANGE 3/8-16
5	20083-8	1	WELDMENT, STEP BATTERY BOX
	82372	4	BOLT, HEX 3/8-16 x 1" LG
	85113	4	WASHER, FLAT 3/8-16
	80205	4	NUT, FLANGE 3/8-16
6	20083-4	1	WELDMENT, STEP MIDDLE BATTERY BOX
	82383	2	BOLT, HEX 3/8-16 x 1" LG
	85113	2	WASHER, FLAT 3/8-16
	80205	2	NUT, FLANGE 3/8-16
7	20083-15	1	WELDMENT, STEP TOP BATTERY BOX
	82383	4	BOLT, HEX 3/8-16 x 1" LG
	85113	4	WASHER, FLAT 3/8-16
	80205	4	NUT, FLANGE 3/8-16
8	20062-1	1	TREAD PLATE, TOP FUEL TANK
	82361	4	BOLT, HEX 3/8-16 x 3/4" LG
	85113	4	WASHER, FLAT 3/8-16
	80205	4	NUT, FLANGE 3/8-16
<b>REV</b>	<b>DATE</b>	<b>BY</b>	<b>SHEET</b>
A	6/29/2017	MAL	1 OF 2

