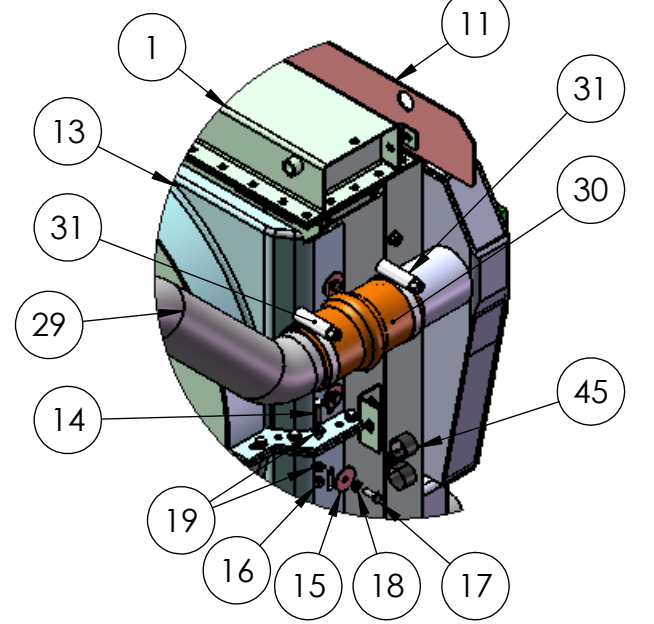
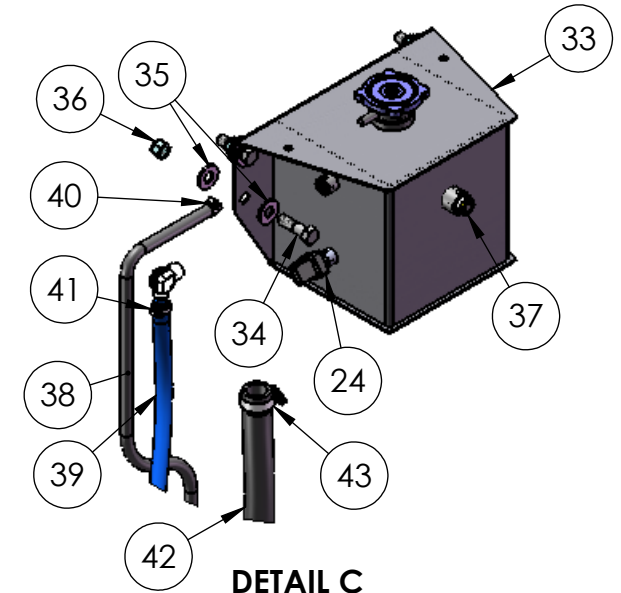


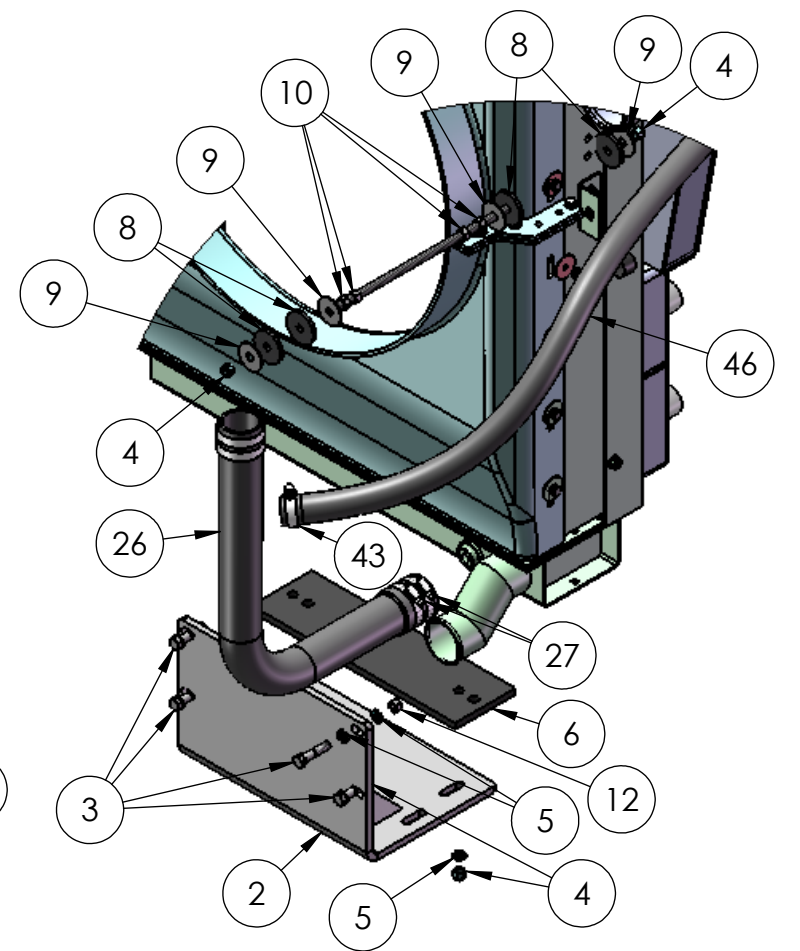
DETAIL A
SCALE 1 : 10



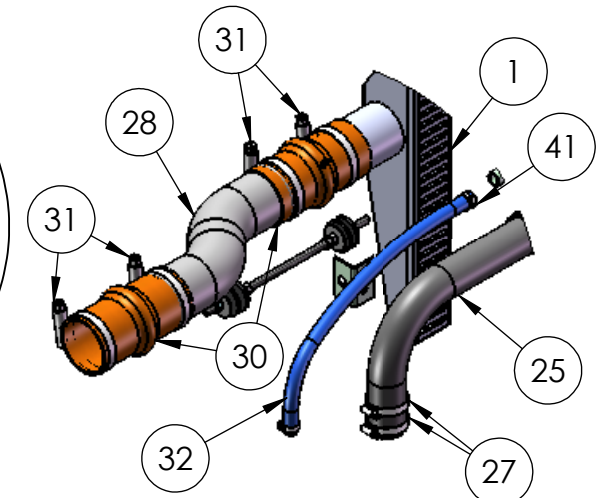
DETAIL B
SCALE 1 : 9



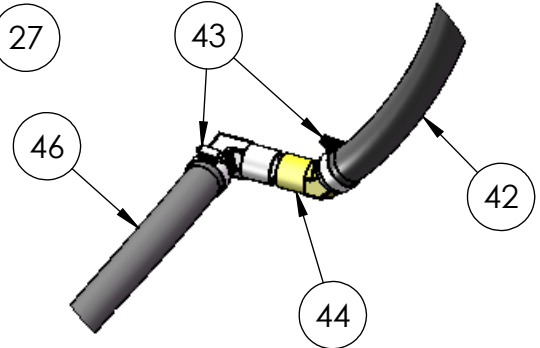
DETAIL C
SCALE 1 : 9



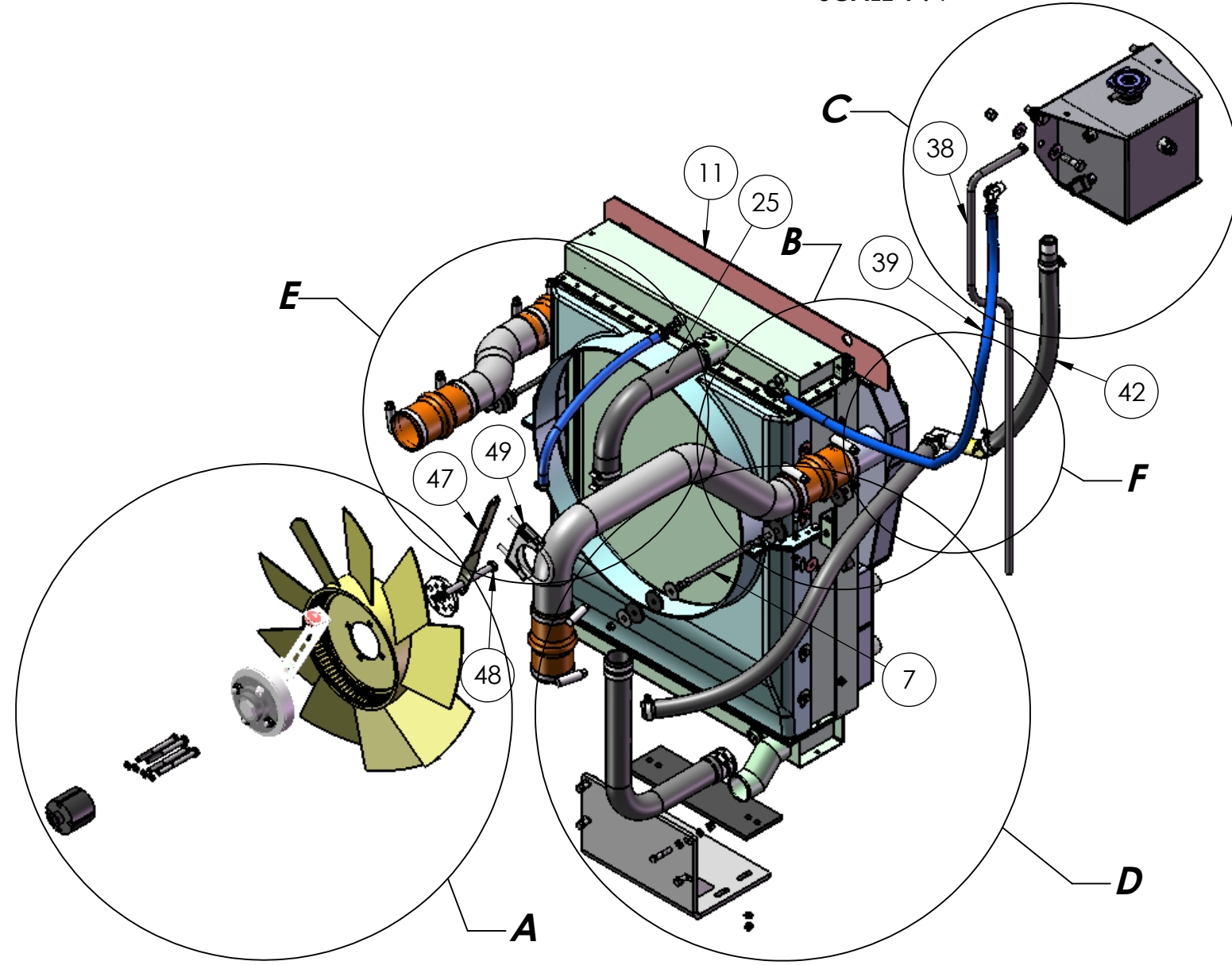
DETAIL D
SCALE 1 : 9




DETAIL E
SCALE 1 : 10



DETAIL F
SCALE 1 : 7



DIMENSIONS ARE IN INCHES		NAME	DATE	 TICO/TERMINAL SERVICE 66 CYPRESS RIDGE DR. RIDGELAND, SC 29936 (843) 717-2226
TOLERANCES:		DRAWN	JM 1/21/15	
DECIMAL:		CHECKED		
X.X ± 0.06 X.XX ± 0.03 X.XXX ± 0.005		APPROVED		
ANGULAR: ± 0.5°		DO NOT SCALE DRAWING		TITLE:
FRACTIONAL ± 1/32"		INTERPRET GEOMETRIC TOLERANCING PER: ASME 14.5M-1994		SIZE
MATERIAL		THE SUBJECT MATTER SHOWN AND DESCRIBED IN THIS DRAWING AND ANY OTHER INFORMATION ADVANCED IN CONNECTION THEREWITH, IS PROPRIETARY PROPERTY AND IS TO BE HELD IN STRICT CONFIDENCE BY YOU. ALL RIGHTS TO ANY INVENTIONS, DESIGNS, TRADE MARKS, TRADE NAMES AND COPYRIGHTS DISCLOSED ARE RESERVED TO TICO TERMINAL SERVICES, INC.		DWG. NO.
FINISH				REV
THICKNESS				D1
		SCALE: 1:14		SHEET 1 OF 1

TICO PRO-SPOTTER				
S/N:		COOLING SYSTEM ISB10, CLUTCH FAN		71389
ITEM	PART #	QTY/M	DESCRIPTION	TASK
	71389-G1	REF	COOLING SYSTEM, ISB10, LOW MT TURBO	
1	61889	1	ASSEMBLY, RADIATOR	
	61551-3	REF	COOLER, TRANSMISSION OIL	
	61551-1	REF	RADIATOR	
	61551-4	REF	BRACKETS, MOUNT, CAC W/AC CONDENSER	
2	61688	1	MOUNT, LOWER RADIATOR	
3	82405	4	BOLT, HEX, 3/8-16 X 1 3/4 LG, (BRACKET TO ENGINE MOUNT)	
4	85036	4	LOCKNUT, CROWNLOCK, 3/8-16, COARSE	
5	85091	10	WASHER, 3/8, HARDEN	
6	60732-1	1	PAD, RUBBER	
7	61603	2	ROD, THREADED, 3/8-16 X 12 LG	
8	60857	8	MOUNT, RUBBER, 3/8 ID X 1.75 OD	
9	80346	10	WASHER, FENDER, 3/8	
10	85014	6	NUT, HEX, 3/8-16, COARSE	
11	61644	1	BAFFLE, RADIATOR TOP	
12	85025	6	LOCKNUT, NYLOK, 3/8-16, COARSE	
13	60988	1	SHROUD, FAN	
14	82370	8	BOLT, HEX, 1/4-20 X 1 LG	
15	80129	12	WASHER, FENDER, 1/4 X 1 1/4	
16	85034	8	LOCKNUT, CROWNLOCK, 1/4-20, COARSE	
17	82359	12	BOLT, HEX, 1/4-20 X 3/4 LG, (SHROUD SIDES)	
18	85133	12	LOCKWASHER, HELICAL SPRING, 1/4-20	
19	85111	16	WASHER, FLAT, 1/4, SOFT	
20	61842	1	FAN, ENGINE, 9 BLADE, 22"	
21	60423	1	ASSEMBLY, CLUTCH FAN	
22	61852	1	SPACER, FAN, 25MM	
23	60799-18	4	BOLT, SERRATED FLANGE, 10 MM x 50 MM LG	
24	60824	1	SENSOR FLUID LEVEL	
25	60607	1	HOSE, RADIATOR INLET, 2" (TOP)	
26	60890	1	HOSE, RADIATOR OUTLET, (BOTTOM)	
27	24117	7	CLAMP, WORM GEAR, 1 1/4 TO 2 1/4	
28	61609	1	TUBE, CAC	
REV	DATE	BY		SHEET
				1 OF 2

ENGINEERING P/L

S/N: COOLING SYSTEM ISB10, CLUTCH FAN 71389

ITEM	PART #	QTY/M	DESCRIPTION	TASK
29	61610	1	TUBE, CAC	
30	40175	4	HOSE, HUMP	
31	40185	8	CLAMP, SPRING HOSE	
32	41010	1	HOSE, VENT, 3/8 X 54 LG, BLUE	
NOT SHOWN	40091	1	FITTING, ADAPTER, STR, #6 JIC X 3/8 NPT	
33	61936	1	TANK, SURGE	
34	82407	4	BOLT, HEX 1/2-13 X 1 3/4 LG	
35	85115	8	WASHER, FLAT, 1/2, SOFT	
36	85027	4	LOCKNUT, NYLOCK, 1/2-13, COARSE	
37	40093	1	SIGHT GLASS	
38	41017	1	HOSE, OVERFLOW, 3/8 X 55 LG	
39	41013	1	HOSE, SURGE TANK TO RADIATOR	
40	24110	1	CLAMP, HOSE WORM GEAR, 5/16	
41	24108	2	CLAMP, HOSE WORM GEAR, 5/16 TO 7/8	
42	41014	1	HOSE, HEATER, 1 X 32 LG, (SURGE TANK TO FRAME)	
43	24115	4	CLAMP, HOSE WORM GEAR 9/16 TO 1 1/16	
44	40721	1	FITTING, 45°, HOSE BARB, 1" TUBE X 1" NPT	
NOT SHOWN	41004	2	FITTING, ELBOW 90°, 3/8 JIC X 1/4 NPT	
NOT SHOWN	30152	1	FITTING, 90°, #4 JIC X 1/4 NPT	
NOT SHOWN	40092	1	PLUG, PIPE	
45	40593	2	P-CLAMP, 1.0	
46	41015	1	HOSE, FRAME TO WATER PUMP	
47	30308	1	BRACKET, CAC TUBE, 7" SUPPORT	
48	80368	1	BOLT, HEX, 12MM X 160MM LG, GRD 8.8	
49	40005	1	CLAMP, SADDLE, 3"	
	3923060	REF	CLAMP, V BAND	
	3883284	REF	SEAL, "O" RING	
REV	DATE	BY		SHEET
				2 OF 2