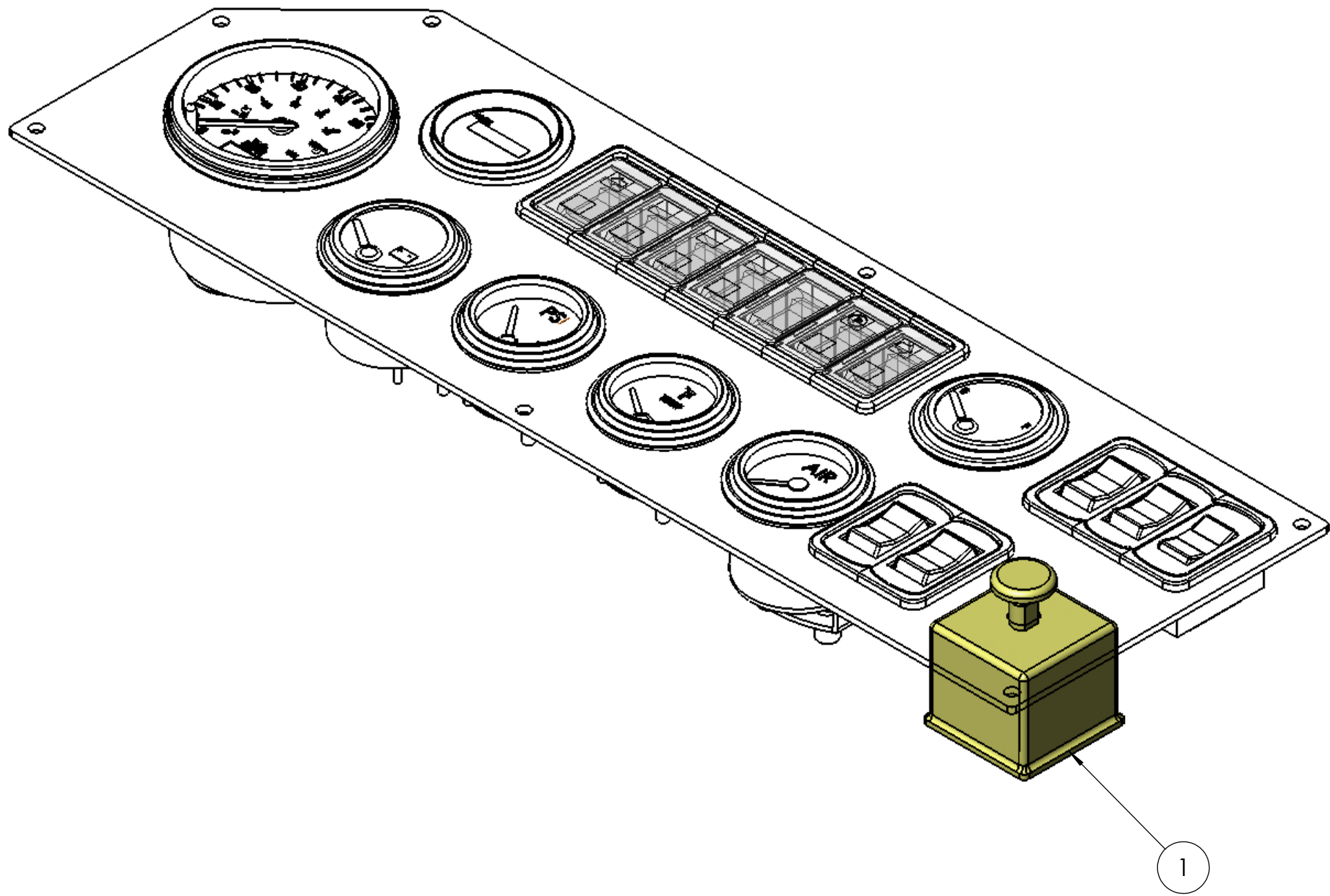



8 7 6 5 4 3 2 1

D  
C  
B  
A



|   |  |   |              |  |
|---|--|---|--------------|--|
| DIMENSIONS ARE IN INCHES  |  | NAME  | DATE         |  TICO/TERMINAL SERVICE<br>66 CYPRESS RIDGE DR.<br>RIDGELAND, SC 29936<br>(843) 717-2226 |
| TOLERANCES:   |  | DRAWN   | SMB 8/29/14  |  |
| DECIMAL:  |  | CHECKED   |              |  |
| X.X ± 0.06<br>X.XX ± 0.03<br>X.XXX ± 0.005<br>ANGULAR: ± 0.5°<br>FRACTIONAL ± 1/32" |  | APPROVED  |              |  |
| INTERPRET GEOMETRIC TOLERANCING PER: ASME 14.5M-1994                                |  | DO NOT SCALE DRAWING  |              | TITLE:   |
| MATERIAL  |  | THE SUBJECT MATTER SHOWN AND DESCRIBED IN THIS DRAWING AND ANY OTHER INFORMATION ADVANCED IN CONNECTION THEREWITH, IS PROPRIETARY PROPERTY AND IS TO BE HELD IN STRICT CONFIDENCE BY YOU. ALL RIGHTS TO ANY INVENTIONS, DESIGNS, TRADE MARKS, TRADE NAMES AND COPYRIGHTS DISCLOSED ARE RESERVED TO TICO TERMINAL SERVICES, INC. |              | <b>INSTALLATION,<br/>INTERMITTENT WIPERS</b>   |
| FINISH  |  | SIZE  | DWG. NO.     | REV  |
| THICKNESS   |  | <b>B</b>  | 71388-C1     |  |
|   |  | SCALE: 1:5  | WEIGHT: 7.85 | SHEET 1 OF 1   |

8 7 6 5 4 3 2 1

