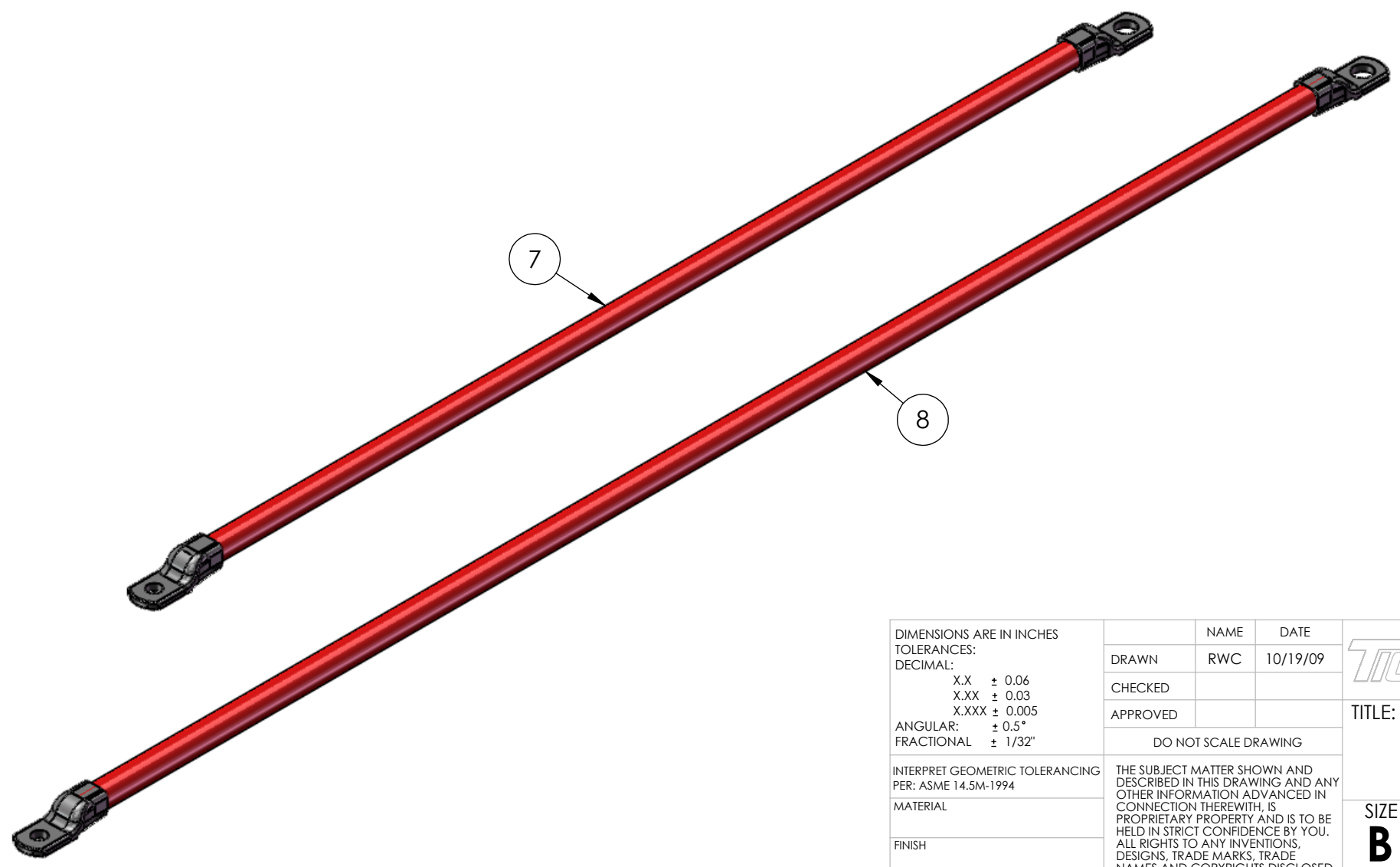
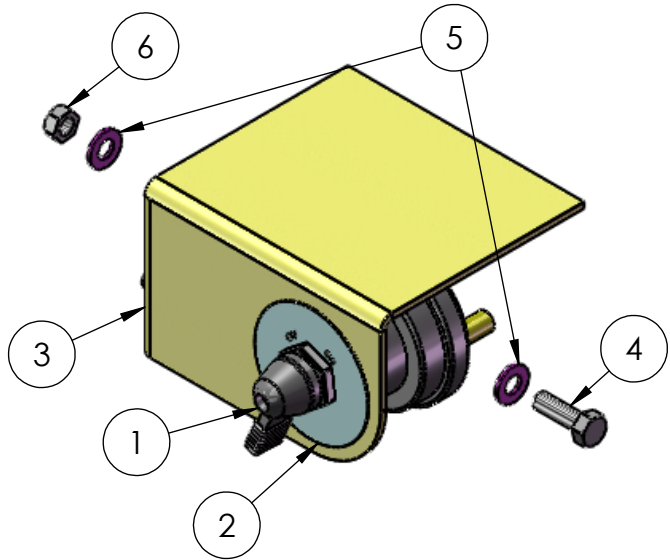



8 7 6 5 4 3 2 1

D
C
B
A

D
C
B
A



| | | | | |
|-------------------------------------------------------------------------------------|--|----------------------|--------------|------------------------------------------------------------------------------------------------------------------------------------------------------------------------------|
| DIMENSIONS ARE IN INCHES | | NAME | DATE |  TICO/TERMINAL SERVICE 66 CYPRESS RIDGE DR. RIDGELAND, SC 29936 (843) 717-2226 |
| TOLERANCES: | | DRAWN | RWC 10/19/09 | |
| DECIMAL: | | CHECKED | | |
| X.X ± 0.06 X.XX ± 0.03 X.XXX ± 0.005 ANGULAR: ± 0.5° FRACTIONAL ± 1/32" | | APPROVED | | |
| INTERPRET GEOMETRIC TOLERANCING PER: ASME 14.5M-1994 | | DO NOT SCALE DRAWING | | TITLE: BATTERY DISCONNECT KIT (3 BATTERY) QSB |
| MATERIAL | | | | SIZE DWG. NO. REV |
| FINISH | | | | B 71366-B1 B1 |
| THICKNESS | | | | SCALE: 1:4 SHEET 1 OF 1 |
| | | | | |

8 7 6 5 4 3 2 1

