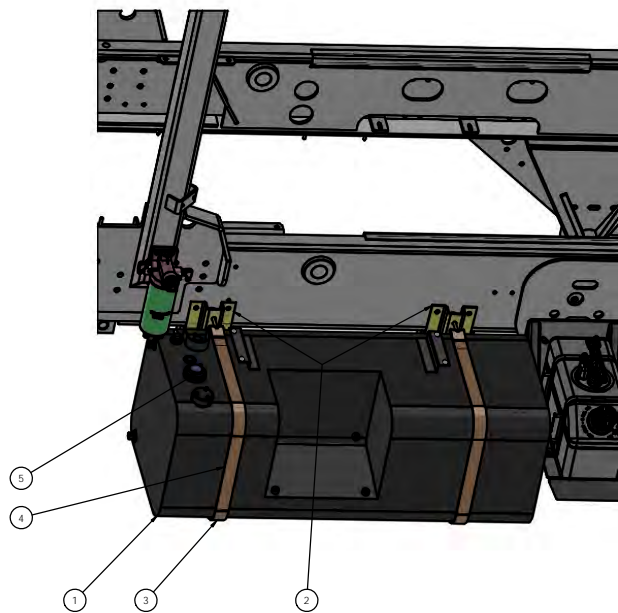
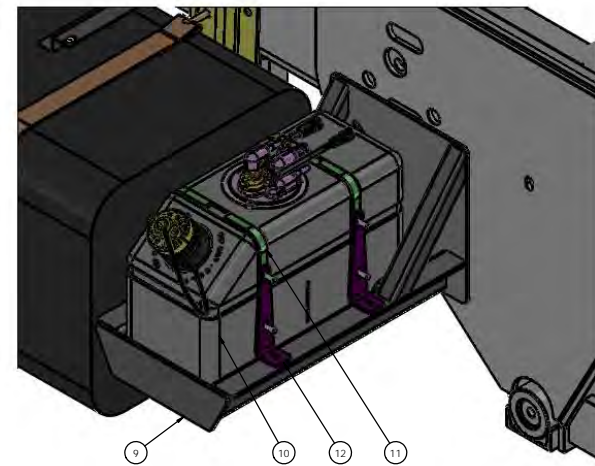


FILTER



FUEL TANK



DEF TANK

DIMENSIONS ARE IN INCHES		NAME	DATE	WCO MANUFACTURING 84 CYPRUS ROAD DR. ROCKLAND, NC 27854 (843) 717-2226
TOLERANCES UNLESS SPECIFIED:	DRAWN	MAL	7/15/2017	
FRACTIONAL	1/16 & 3/16	CHECKED		TITLE: FUEL TANK & SYSTEM SIZE: DWG. NO. 71340-H1 REV D
DECIMAL	0.015	APPROVED		
ANGULAR	0.1°	DOTTED SCALE DRAWING THE SUBJECT MATTER SHOWN AND DESCRIBED IN THE DRAWING AND ANY OTHER INFORMATION CONTAINED HEREIN IS THE PROPERTY OF WCO. ALL RIGHTS TO ANY PATENTED OR UNPATENTED INFORMATION, TRADE MARKS, TRADE NAMES AND/OR COPYRIGHTS CONTAINED HEREIN ARE RESERVED TO WCO TECHNOLOGY, INC.		SCALE: 1:32 [WEIGHT: 3555.03] SHEET 1 OF 1
SEE NOTE	N/A	DATE:		
REVISION:	N/A	BY:		
REVISION:	N/A	DATE:		

TICO PRO-SPOTTER

FUEL SYSTEM, ISB-10, HEATED WATER SEP FILTER

71340

ITEM	PART #	QTY/M	DESCRIPTION
	71340-F1	REF	FUEL SYSTEM, ISB-10, HEATED WATER SEP FILTER
1	20062	1	TANK, FUEL
2	20004-8	2	BRACKET, FUEL TANK - MAKE FROM 20004-1
NOT SHOWN	82506	8	BOLT, HEX 1/2-13 x 4 Lg
NOT SHOWN	85038	8	LOCKNUT, 1/2-13
NOT SHOWN	85115	16	WASHER, FLAT 1/2
3	20004-5	2	HOLDING STRAP, FUEL TANK WITH HARDWARE
4	20004-4	2	INSERT, FUEL TANK RUBBER
5	20063	1	SENDER FUEL 240-33 OHM NO-FLOAT
6	61884	1	FILTER FUEL / WATER SEPARATOR / HEATED
7	61883	1	BRACKET - STANDOFF
NOT SHOWN	61672	1	HARNESS, FUEL FILTER
8	12065-1	1	BRACKET, FUEL FILTER
NOT SHOWN	82405	2	BOLT, HEX 3/8-16 x 1 3/4 BRACKET to CAB BAR
NOT SHOWN	85113	8	WASHER, FLAT 3/8
NOT SHOWN	85036	4	LOCKNUT, 3/8-16
NOT SHOWN	61883	1	BRACKET-STANDOFF
NOT SHOWN	42090	1	BUSHING-REDUCER 1/2NPT-1/4NPT
NOT SHOWN	40874	1	BUSHING-REDUCER 3/8NPT-1/4NPT
NOT SHOWN	NOT AVAILABLE	1	FITTING-3/8 BARB-1/4NPT, 90°
NOT SHOWN	40946	1	FITTING-1/4NPT-#6 JIC, STR
NOT SHOWN	40088	3	FITTING-3/8 BARB-#6 JIC, STR
NOT SHOWN	41193	2	FITTING-90°, #12mm "O" RING/#6 JIC
NOT SHOWN	41177	2	HOSE-#6 FUEL
NOT SHOWN	24110	3	CLAMP, HOSE WORM GEAR 1/4 to 5/8
REV	DATE	BY	SHEET
H	7/11/2017	MAL	1 OF 2

TICO MANUFACTURING - RIDGELAND, SC 29936

