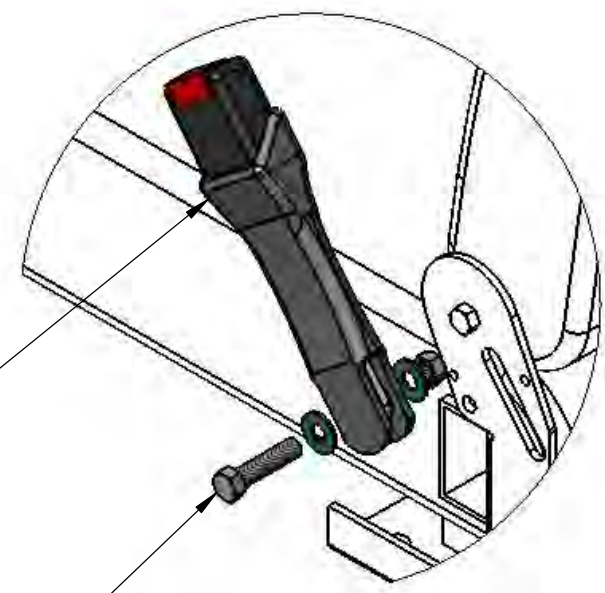
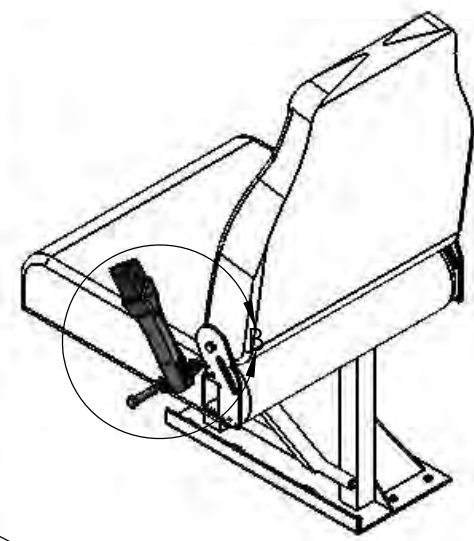
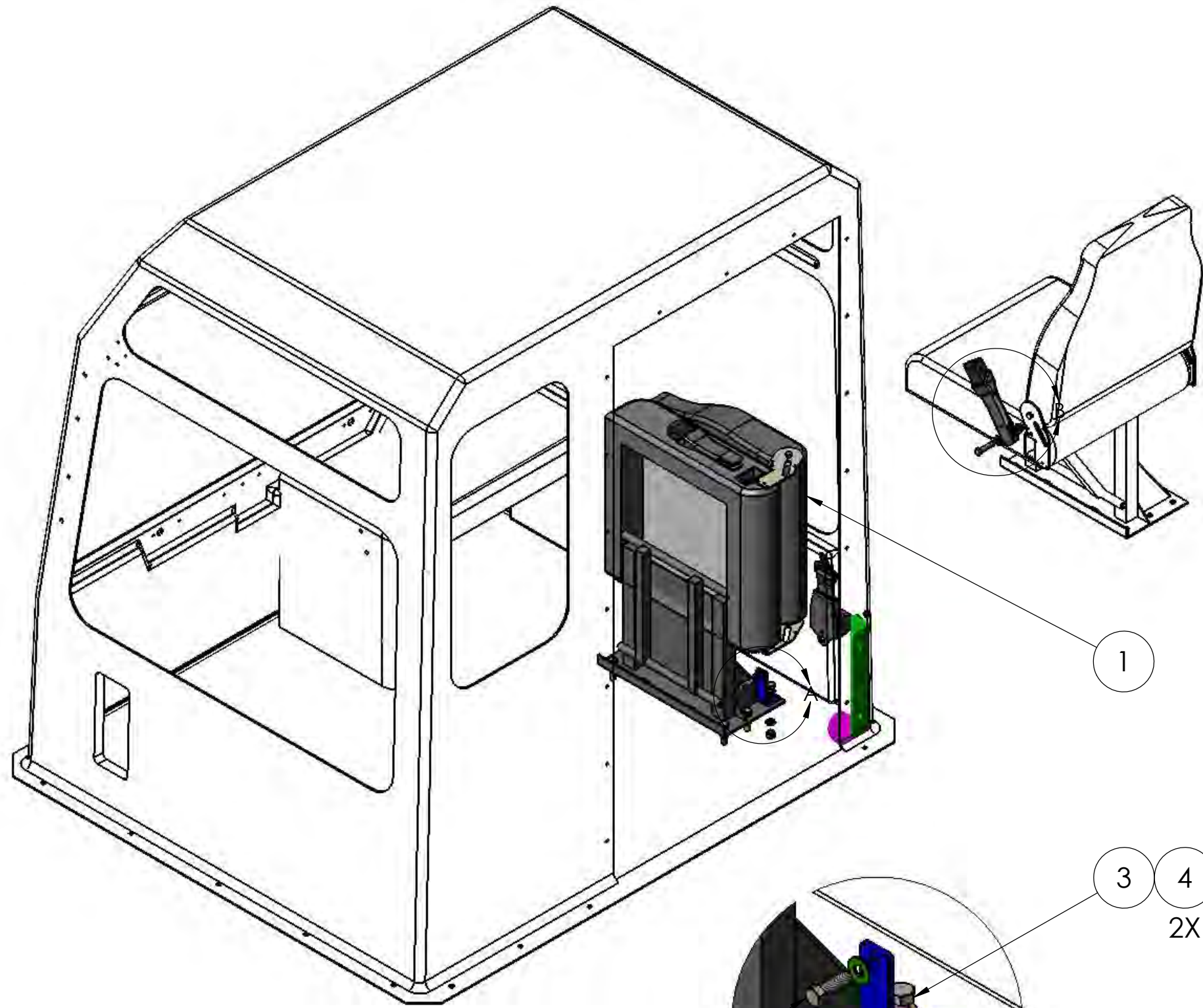


8 7 6 5 4 3 2 1

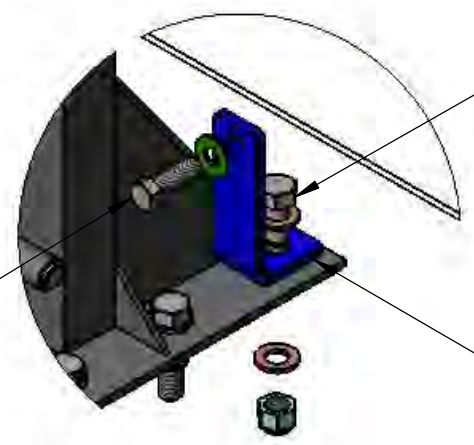
D
C
B
A

D
C
B
A




DETAIL B
SCALE 1 : 4

9
10 11 12
2X



DETAIL A
SCALE 1 : 4

3 4 5
2X
6 7 8
2X

DIMENSIONS ARE IN INCHES		NAME	DATE	 TICO/TERMINAL SERVICE 66 CYPRESS RIDGE DR. RIDGELAND, SC 29936 (843) 717-2226
TOLERANCES:		DRAWN	DFM 07/15/2015	
DECIMAL:		REVISED	MPC 08/08/2016	TITLE: SEAT, FOLDING
X.X ± 0.06		APPROVED		
X.XX ± 0.03		DO NOT SCALE DRAWING		
X.XXX ± 0.005				SIZE DWG. NO. REV B 71257-C1
ANGULAR: ± 0.5°				
FRACTIONAL ± 1/32"				SHEET 1 OF 1
INTERPRET GEOMETRIC TOLERANCING PER: ASME 14.5M-1994				
MATERIAL		THE SUBJECT MATTER SHOWN AND DESCRIBED IN THIS DRAWING AND ANY OTHER INFORMATION ADVANCED IN CONNECTION THEREWITH, IS PROPRIETARY PROPERTY AND IS TO BE HELD IN STRICT CONFIDENCE BY YOU. ALL RIGHTS TO ANY INVENTIONS, DESIGNS, TRADE MARKS, TRADE NAMES AND COPYRIGHTS DISCLOSED ARE RESERVED TO TICO TERMINAL SERVICES, INC.		
FINISH				
THICKNESS				

8 7 6 5 4 3 2 1

