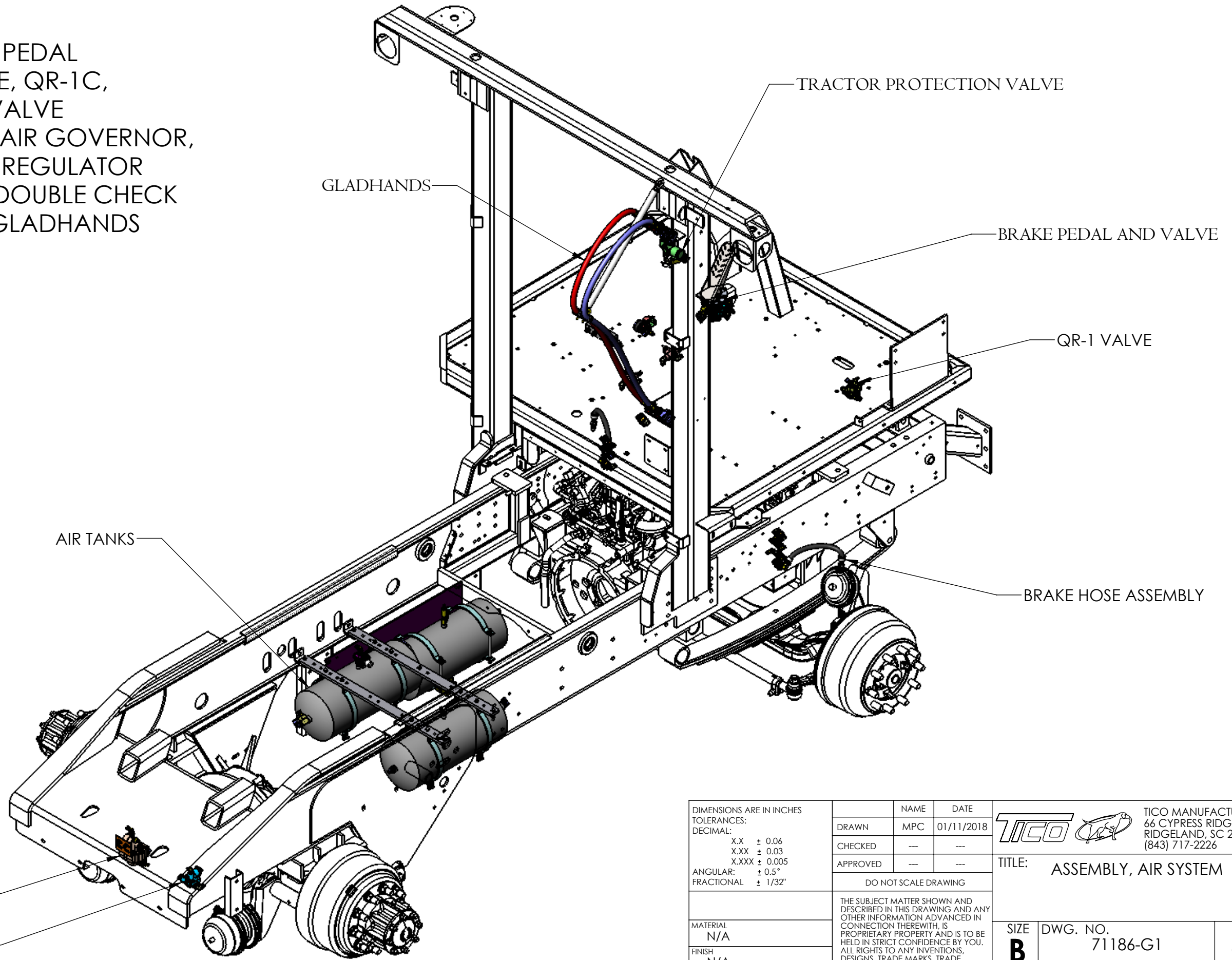

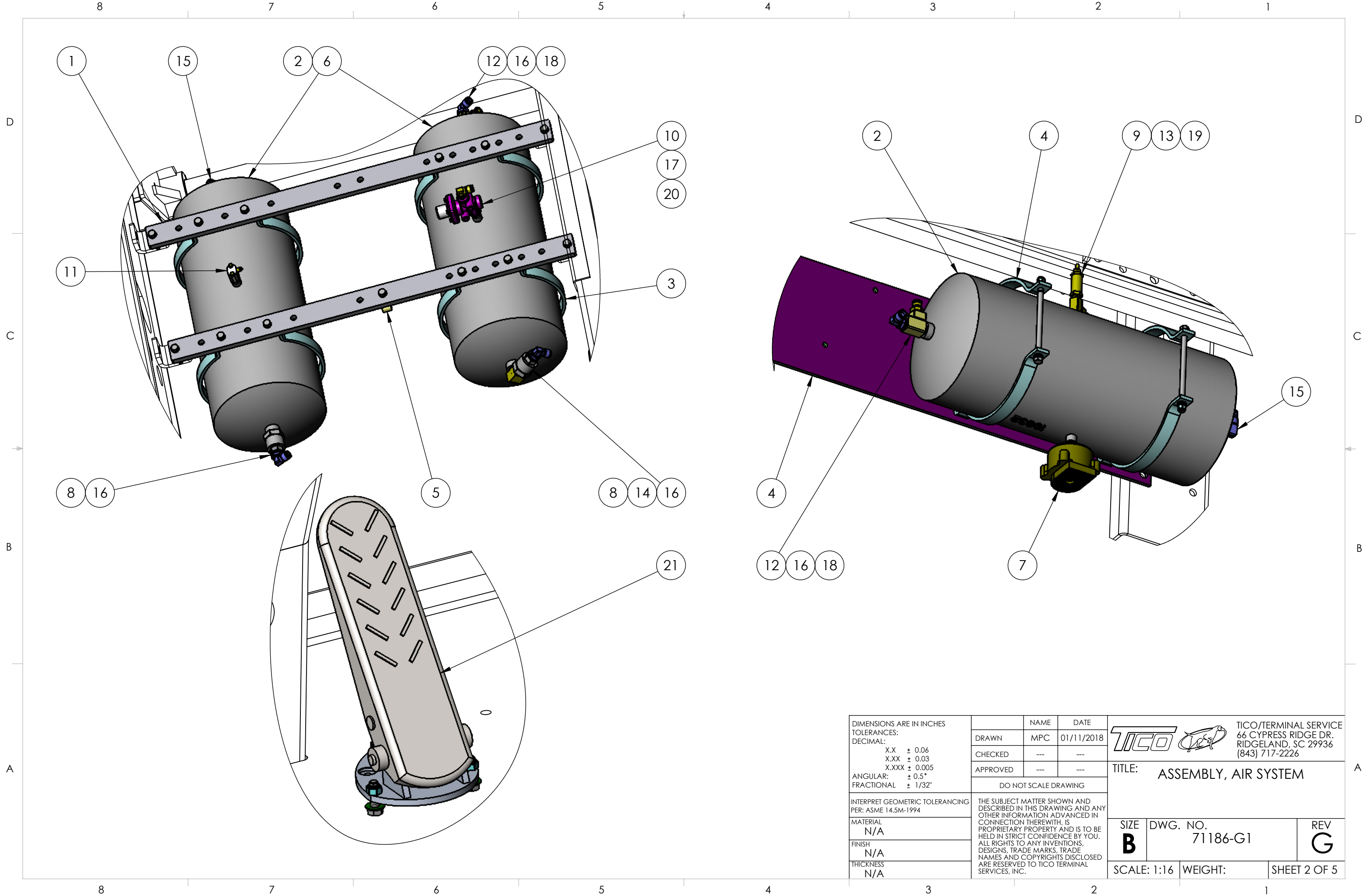



PAGE 1 : OVERVIEW
 PAGE 2 : AIR TANKS & PEDAL
 PAGE 3 : BRAKE VALVE, QR-1C,
 & BOBTAIL VALVE
 PAGE 4 : BULKHEADS, AIR GOVERNOR,
 QR-1, & AIR REGULATOR
 PAGE 5 : MANIFOLD, DOUBLE CHECK
 VALVES, & GLADHANDS
 PAGES 6-9: PARTS LIST



DIMENSIONS ARE IN INCHES		NAME	DATE	 TICO MANUFACTURING 66 CYPRESS RIDGE DR. RIDGELAND, SC 29936 (843) 717-2226				
TOLERANCES:		DRAWN	MPC		01/11/2018			
DECIMAL:		CHECKED	---		---			
X.X ± 0.06 X.XX ± 0.03 X.XXX ± 0.005 ANGULAR: ± 0.5° FRACTIONAL ± 1/32"		APPROVED	---		---			
		DO NOT SCALE DRAWING			TITLE: ASSEMBLY, AIR SYSTEM			
MATERIAL		THE SUBJECT MATTER SHOWN AND DESCRIBED IN THIS DRAWING AND ANY OTHER INFORMATION ADVANCED IN CONNECTION THEREWITH, IS PROPRIETARY PROPERTY AND IS TO BE HELD IN STRICT CONFIDENCE BY YOU. ALL RIGHTS TO ANY INVENTIONS, DESIGNS, TRADE MARKS, TRADE NAMES AND COPYRIGHTS DISCLOSED ARE RESERVED TO TICO TERMINAL SERVICES, INC.			SIZE	DWG. NO.	REV	
FINISH					B	71186-G1	G	
THICKNESS					SCALE: 1:17		WEIGHT:	SHEET 1 OF 5
N/A								

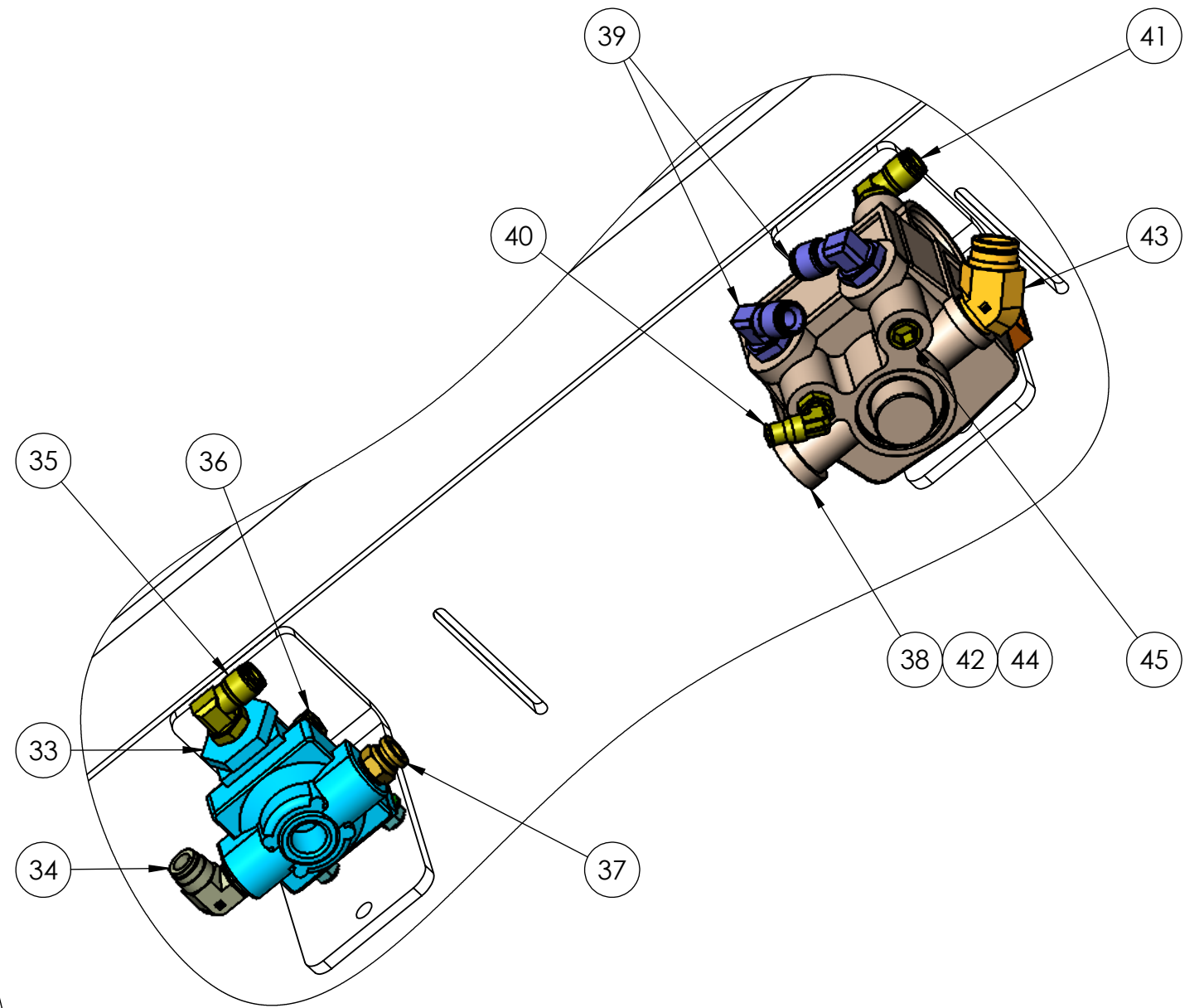
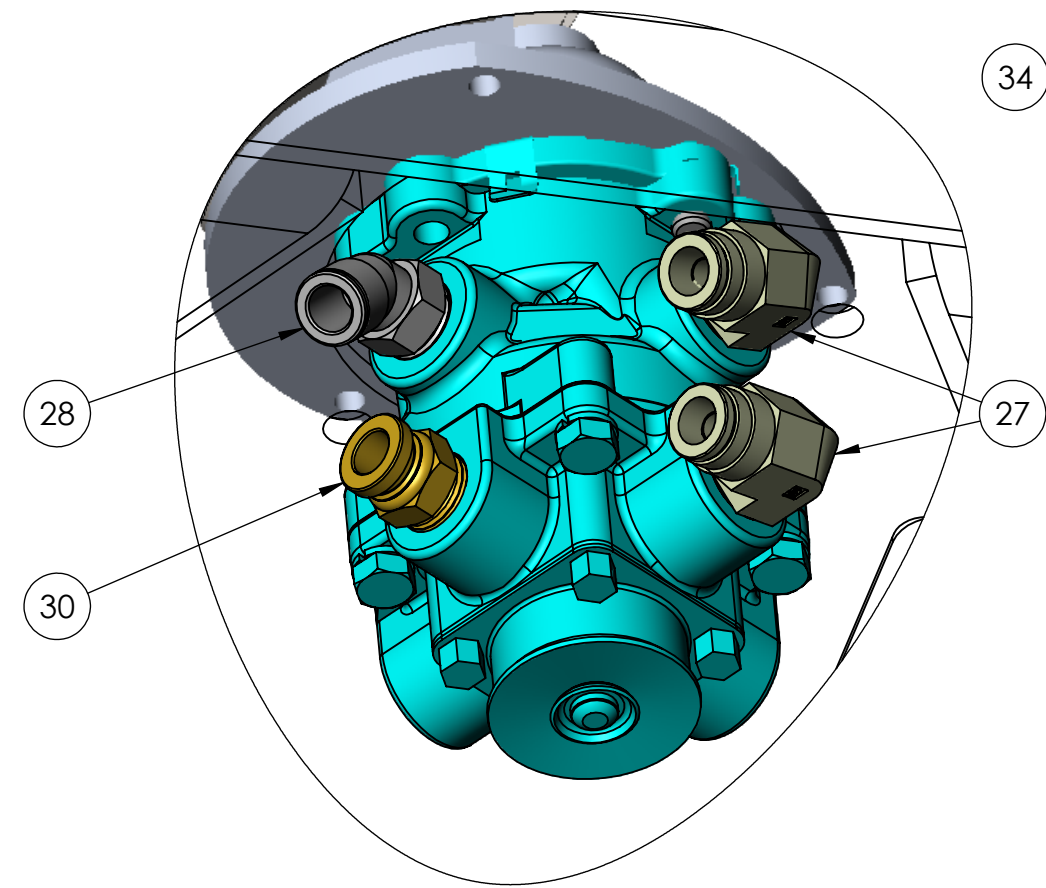
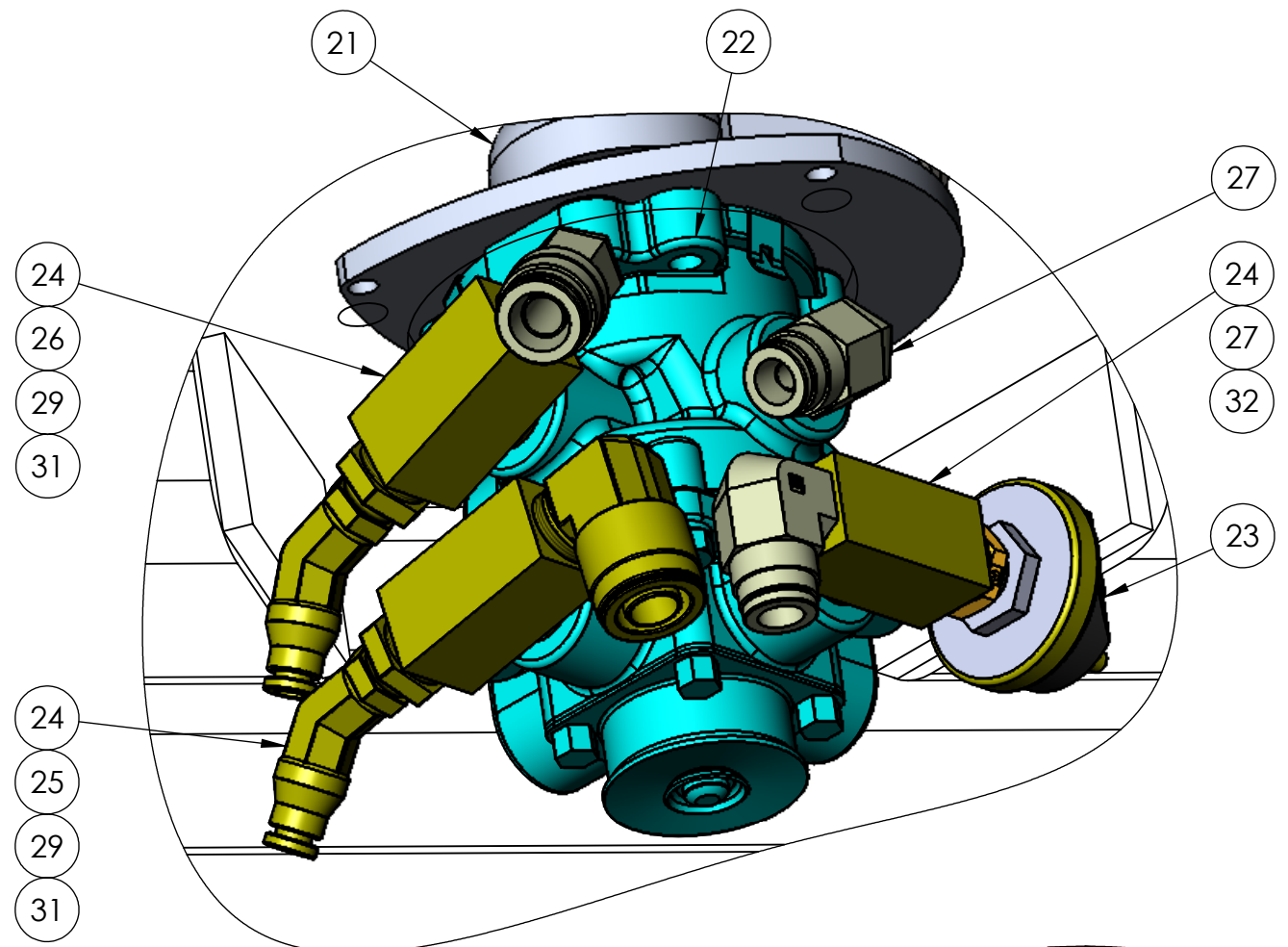



DIMENSIONS ARE IN INCHES TOLERANCES: DECIMAL: X.X ± 0.06 X.XX ± 0.03 X.XXX ± 0.005 ANGULAR: ± 0.5° FRACTIONAL ± 1/32"	NAME	DATE	 TICO/TERMINAL SERVICE 66 CYPRESS RIDGE DR. RIDGELAND, SC 29936 (843) 717-2226	
	DRAWN	MPC		01/11/2018
	CHECKED	---		---
	APPROVED	---		---
INTERPRET GEOMETRIC TOLERANCING PER: ASME 14.5M-1994	DO NOT SCALE DRAWING		TITLE: ASSEMBLY, AIR SYSTEM	
MATERIAL N/A	THE SUBJECT MATTER SHOWN AND DESCRIBED IN THIS DRAWING AND ANY OTHER INFORMATION ADVANCED IN CONNECTION THEREWITH, IS PROPRIETARY PROPERTY AND IS TO BE HELD IN STRICT CONFIDENCE BY YOU. ALL RIGHTS TO ANY INVENTIONS, DESIGNS, TRADE MARKS, TRADE NAMES AND COPYRIGHTS DISCLOSED ARE RESERVED TO TICO TERMINAL SERVICES, INC.		SIZE B	
FINISH N/A			DWG. NO. 71186-G1	REV G
THICKNESS N/A			SCALE: 1:16	WEIGHT:

8 7 6 5 4 3 2 1

D
C
B
A

D
C
B
A



DIMENSIONS ARE IN INCHES TOLERANCES: DECIMAL: X.X ± 0.06 X.XX ± 0.03 X.XXX ± 0.005 ANGULAR: ± 0.5° FRACTIONAL ± 1/32"	NAME	DATE	 TICO/TERMINAL SERVICE 66 CYPRESS RIDGE DR. RIDGELAND, SC 29936 (843) 717-2226		
	DRAWN	MPC		01/11/2018	
	CHECKED	---		---	
	APPROVED	---		---	
INTERPRET GEOMETRIC TOLERANCING PER: ASME 14.5M-1994	DO NOT SCALE DRAWING		TITLE: ASSEMBLY, AIR SYSTEM		
MATERIAL N/A	THE SUBJECT MATTER SHOWN AND DESCRIBED IN THIS DRAWING AND ANY OTHER INFORMATION ADVANCED IN CONNECTION THEREWITH, IS PROPRIETARY PROPERTY AND IS TO BE HELD IN STRICT CONFIDENCE BY YOU. ALL RIGHTS TO ANY INVENTIONS, DESIGNS, TRADE MARKS, TRADE NAMES AND COPYRIGHTS DISCLOSED ARE RESERVED TO TICO TERMINAL SERVICES, INC.		SIZE B		
FINISH N/A			DWG. NO. 71186-G1	REV G	
THICKNESS N/A			SCALE: 1:16	WEIGHT:	SHEET 3 OF 5

8 7 6 5 4 3 2 1

8 7 6 5 4 3 2 1

D

D

C

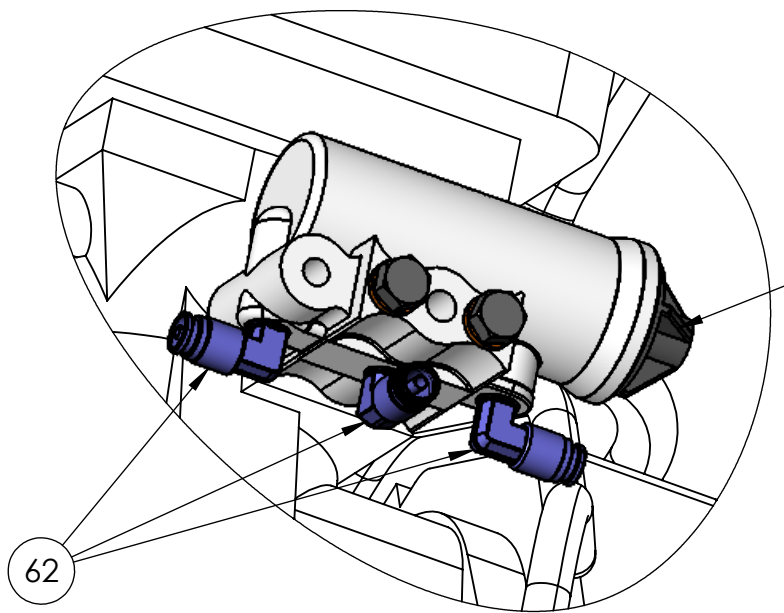
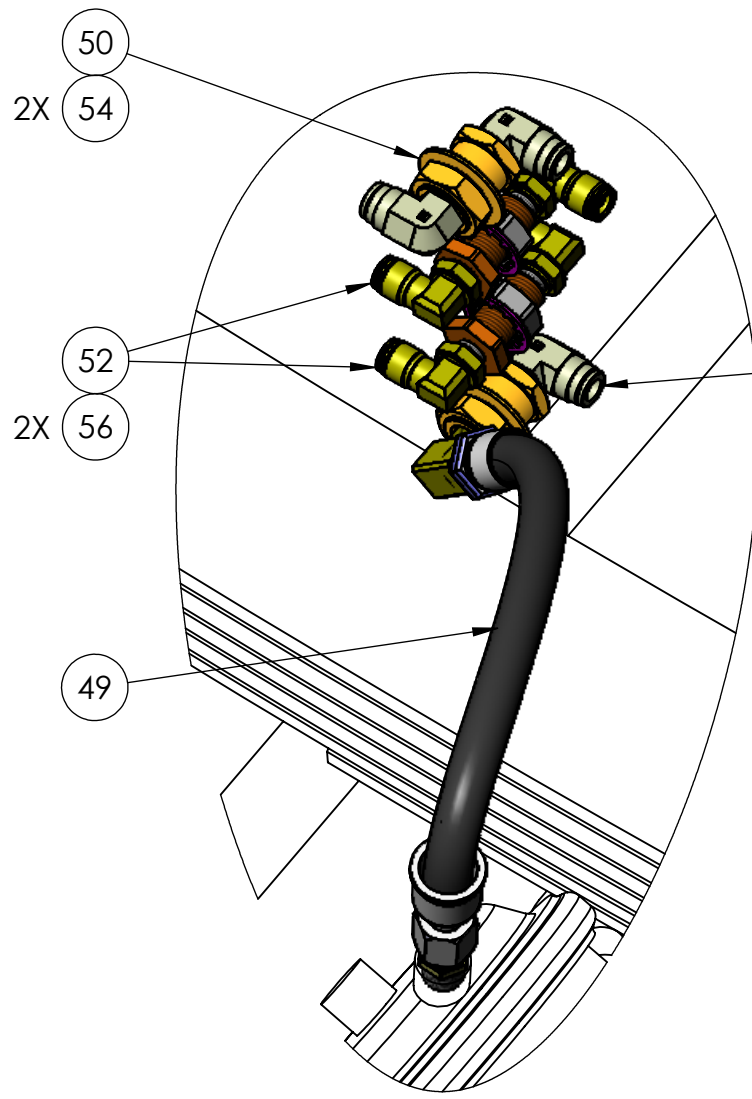
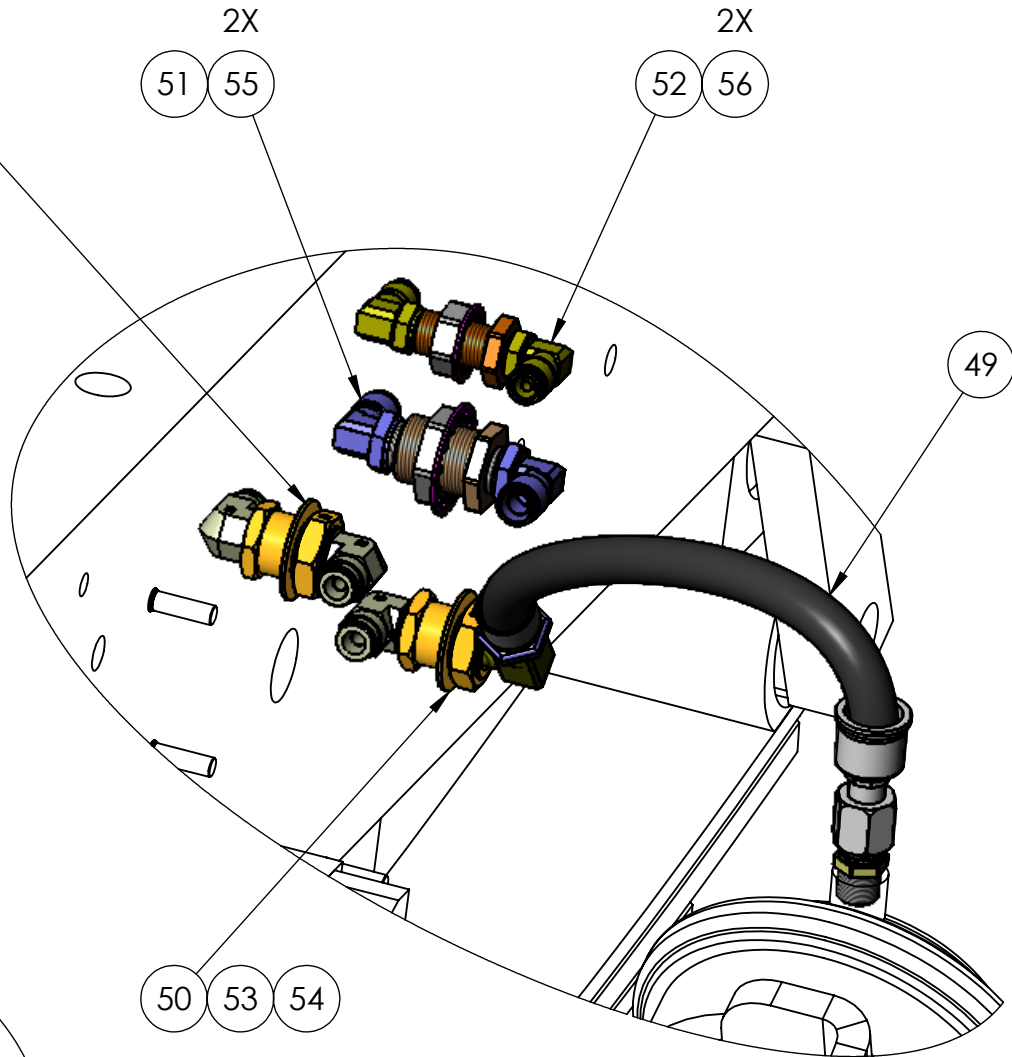
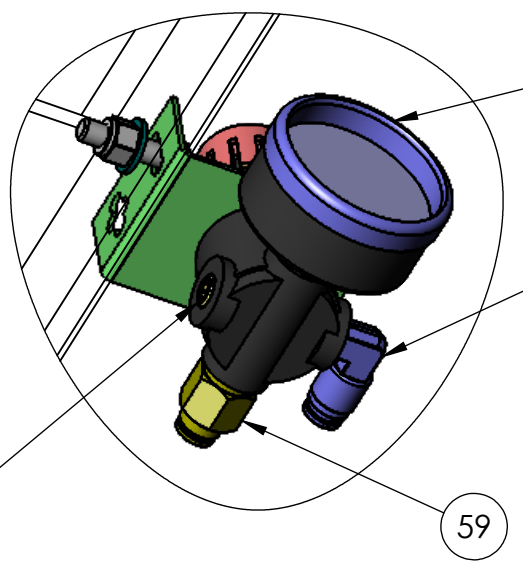
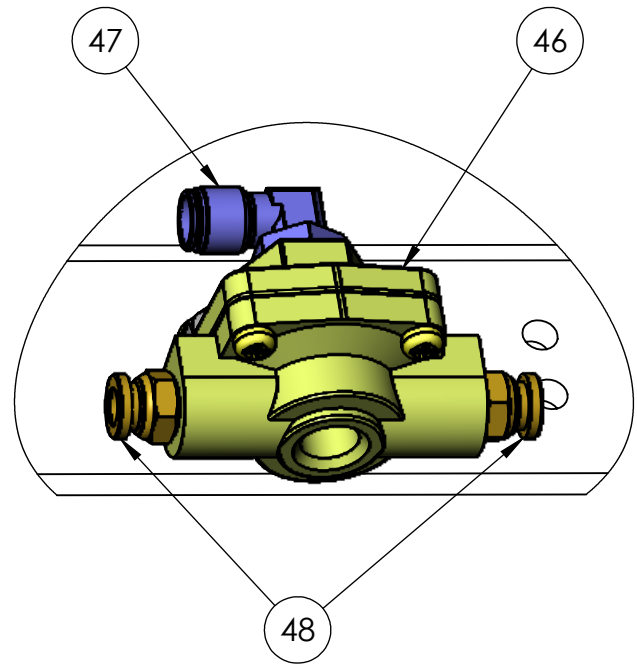
C

B

B

A

A

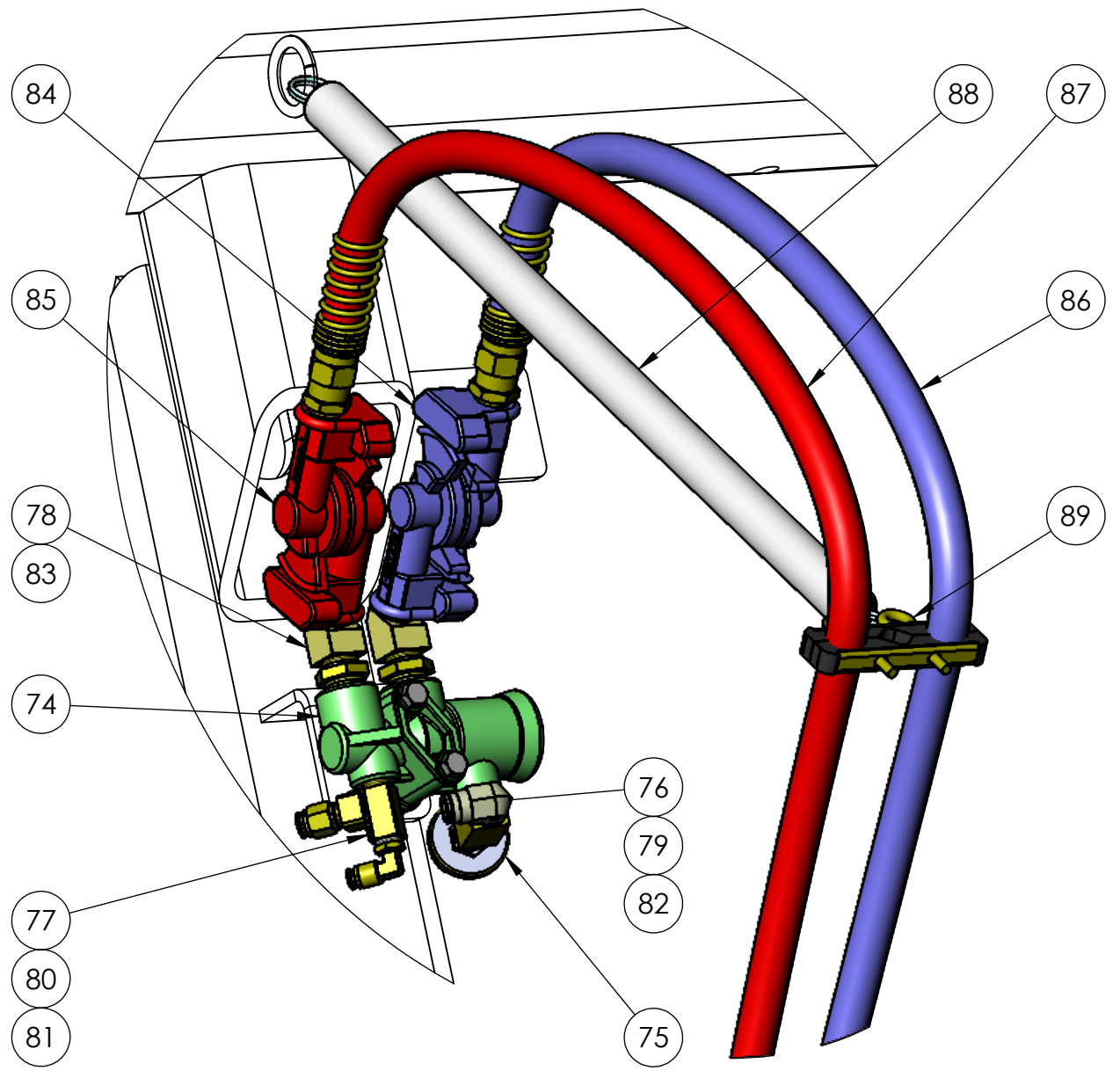
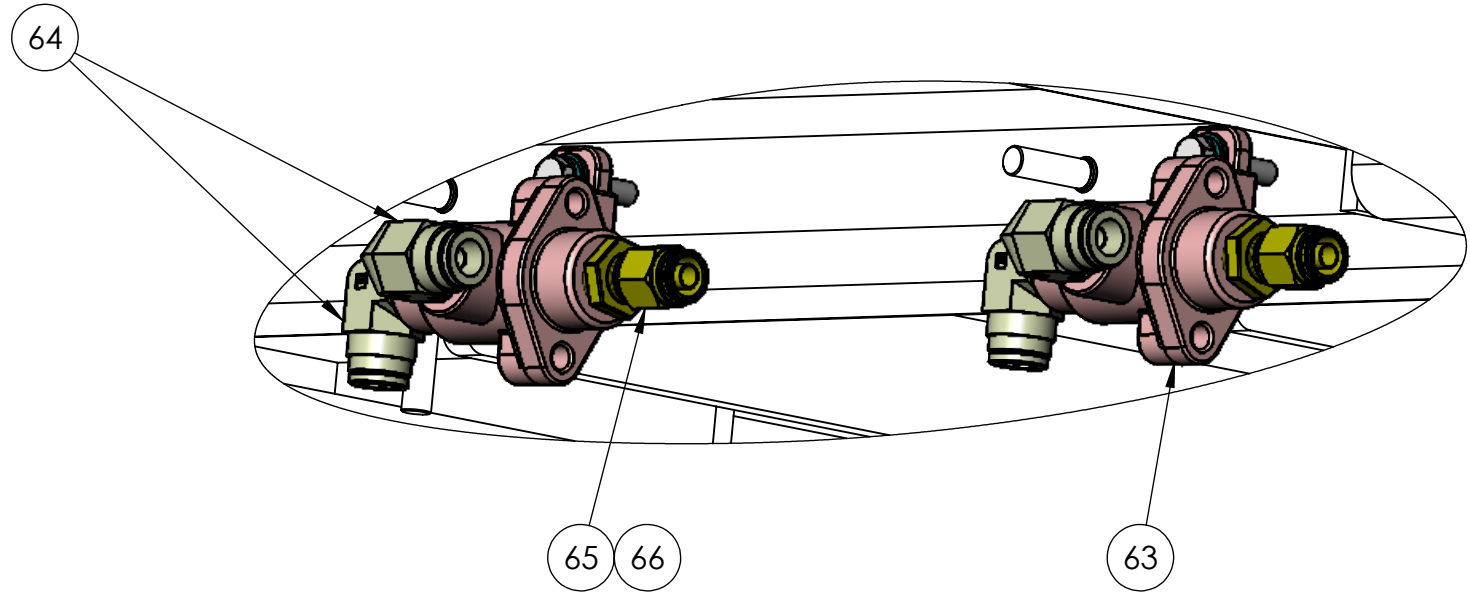
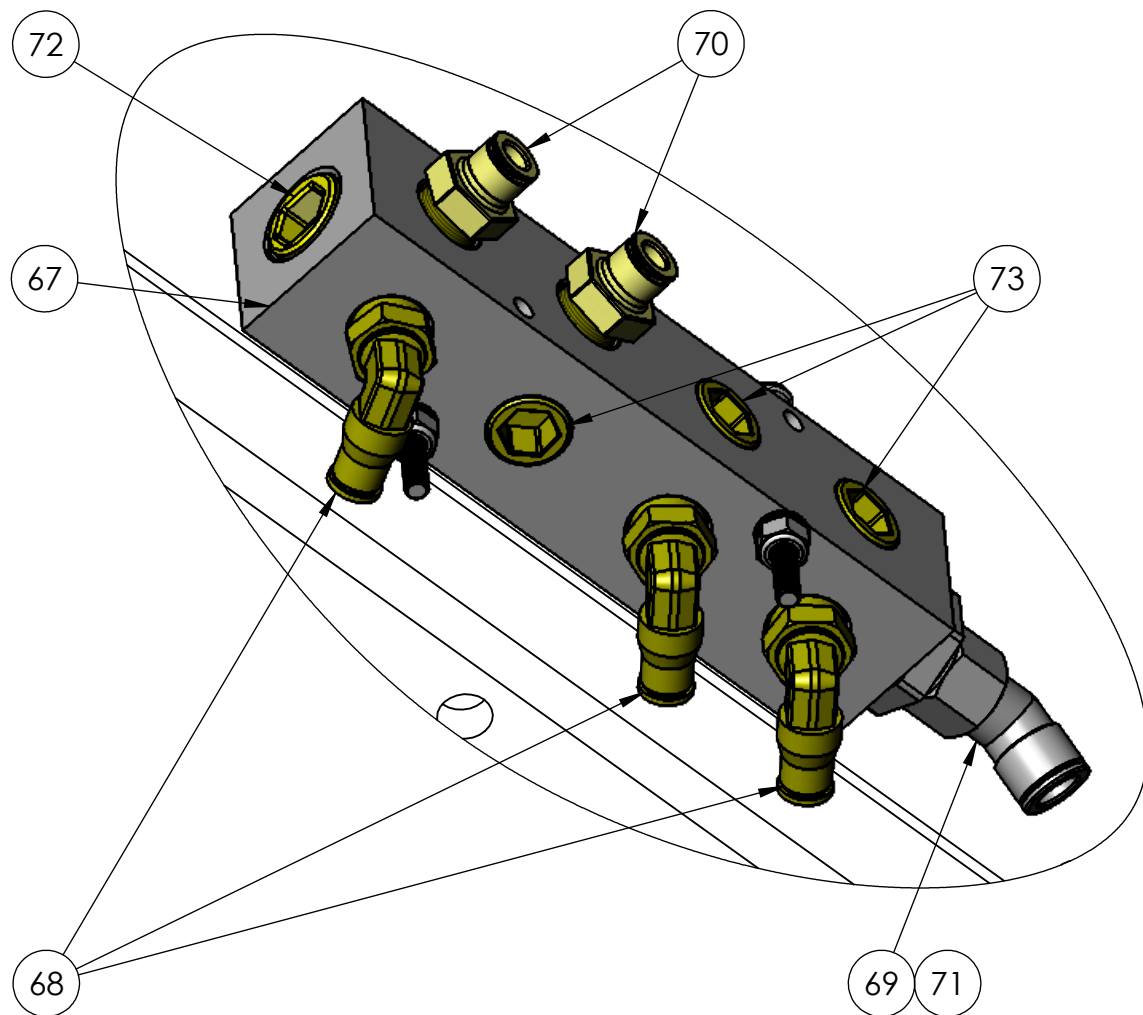


DIMENSIONS ARE IN INCHES TOLERANCES: DECIMAL: X.X ± 0.06 X.XX ± 0.03 X.XXX ± 0.005 ANGULAR: ± 0.5° FRACTIONAL ± 1/32"	DRAWN MPC	NAME MPC	DATE 01/11/2018	TICO/TERMINAL SERVICE 66 CYPRESS RIDGE DR. RIDGELAND, SC 29936 (843) 717-2226
	CHECKED	---	---	
	APPROVED	---	---	
	DO NOT SCALE DRAWING			
INTERPRET GEOMETRIC TOLERANCING PER: ASME 14.5M-1994	THE SUBJECT MATTER SHOWN AND DESCRIBED IN THIS DRAWING AND ANY OTHER INFORMATION ADVANCED IN CONNECTION THEREWITH, IS PROPRIETARY PROPERTY AND IS TO BE HELD IN STRICT CONFIDENCE BY YOU. ALL RIGHTS TO ANY INVENTIONS, DESIGNS, TRADE MARKS, TRADE NAMES AND COPYRIGHTS DISCLOSED ARE RESERVED TO TICO TERMINAL SERVICES, INC.			TITLE: ASSEMBLY, AIR SYSTEM
MATERIAL N/A	SIZE B	DWG. NO. 71186-G1	REV G	SCALE: 1:16
FINISH N/A	WEIGHT:		SHEET 4 OF 5	THICKNESS N/A


8 7 6 5 4 3 2 1

8 7 6 5 4 3 2 1

D
C
B
A



D
C
B
A

DIMENSIONS ARE IN INCHES TOLERANCES: DECIMAL: X.X ± 0.06 X.XX ± 0.03 X.XXX ± 0.005 ANGULAR: ± 0.5° FRACTIONAL ± 1/32"	DRAWN MPC	NAME MPC	DATE 01/11/2018	 TICO/TERMINAL SERVICE 66 CYPRESS RIDGE DR. RIDGELAND, SC 29936 (843) 717-2226		
	CHECKED ---	APPROVED ---	TITLE: ASSEMBLY, AIR SYSTEM			
	DO NOT SCALE DRAWING		SIZE B		DWG. NO. 71186-G1	REV G
INTERPRET GEOMETRIC TOLERANCING PER: ASME 14.5M-1994	THE SUBJECT MATTER SHOWN AND DESCRIBED IN THIS DRAWING AND ANY OTHER INFORMATION ADVANCED IN CONNECTION THEREWITH, IS PROPRIETARY PROPERTY AND IS TO BE HELD IN STRICT CONFIDENCE BY YOU. ALL RIGHTS TO ANY INVENTIONS, DESIGNS, TRADE MARKS, TRADE NAMES AND COPYRIGHTS DISCLOSED ARE RESERVED TO TICO TERMINAL SERVICES, INC.			SCALE: 1:16	WEIGHT:	SHEET 5 OF 5
MATERIAL N/A						
FINISH N/A						
THICKNESS N/A						

8 7 6 5 4 3 2 1

TICO PRO-SPOTTER					
			ASSEMBLY, AIR SYSTEM	71186	
ITEM	PART #	QTY	DESCRIPTION	NOTE	
63	40875	2	VALVE, DOUBLE CHECK		
NO BALLOON	82370	2	BOLT, HEX HEAD, 1/4-20 X 1 LONG		
NO BALLOON	85133	2	LOCKWASHER, 1/4		
NO BALLOON	85089	2	WASHER, FLAT, 1/4		
64	40823	4	FITTING, ELBOW, 90°, 3/8 NPT X 3/8 TUBE		
65	40846	2	FITTING, STRAIGHT, 1/4 NPT TO 3/8 TUBE		
66	40874	2	FITTING, REDUCER, BRASS, 3/8 NPT X 1/4 FPT		
67	10949	1	MANIFOLD, AIR		
NO BALLOON	800459	2	SCREW, PAN HEAD, PHILLIPS, STAINLESS STEEL, #10-32 X 2-1/2 LONG		
NO BALLOON	80239	2	WASHER, FLAT, STAINLESS STEEL, #10		
NO BALLOON	800424	2	LOCKNUT, NYLON, STAINLESS STEEL, #10-32		
68	40887	3	FITTING, ELBOW, 90°, SWIVEL, 3/8 NPT X 1/4 TUBE		
69	42133	1	FITTING, ELBOW, 45°, 1/4 NPT X 3/8 TUBE		
70	40833	2	FITTING, STRAIGHT, BRASS, 3/8 NPT X 1/4 TUBE		
71	42090	1	FITTING, REDUCER, 1/2 NPT X 1/4 NPT		
72	80163	1	PLUG, ALLEN, 1/2 NPT		
73	40841	3	PLUG, ALLEN HEAD, 3/8 NPT		
74	90069	1	VALVE, TRACTOR PROTECTION, TP-3		
NO BALLOON	82459	2	BOLT, HEX HEAD, 5/16-18 X 3 LONG		
NO BALLOON	85090	4	WASHER, FLAT, 5/16		
NO BALLOON	85024	2	LOCKNUT, NYLON, 5/16-18		
75	90078	1	SWITCH, STOP LIGHT		
76	40873	1	FITTING, TEE, BRANCH, BRASS, 3/8 NPT		
77	40900	1	FITTING, TEE, STREET, BRASS, 1/4 NPT		
78	40899	2	FITTING, ELBOW, STREET, 45°, BRASS, 1/2 NPT		
79	40823	1	FITTING, ELBOW, 90°, 3/8 NPT X 3/8 TUBE		
80	40861	1	FITTING, ELBOW, 90°, BRASS, SWIVEL, 1/4 NPT X 1/4 TUBE		
81	40846	1	FITTING, STRAIGHT, 1/4 NPT TO 3/8 TUBE		
82	40874	1	FITTING, REDUCER, BRASS, 3/8 NPT X 1/4 FPT		
83	40898	2	FITTING, NIPPLE, BRASS, 1/2 NPT		
84	50038-1	1	GLADHAND, BLUE		
85	50039-1	1	GLADHAND, RED		
86	50165	1	HOSE, GLADHAND, 15 FT (SERVICE)		
87	50166	1	HOSE, GLADHAND, 15 FT (EMERGENCY)		
88	10356	1	SPRING, AIRLINE		
89	40080	1	CLAMP, TRAILER HOSE, 3 CAVITY		
NOT SHOWN	90873	1	BUZZER, LOW AIR WARNING		
NOT SHOWN	61704	1	BRACKET, STAND OFF		
REV	DATE	BY		SHEET	4
G	01/11/2018	MPC		OF	4

TICO MANUFACTURING - RIDGELAND, SC 29936