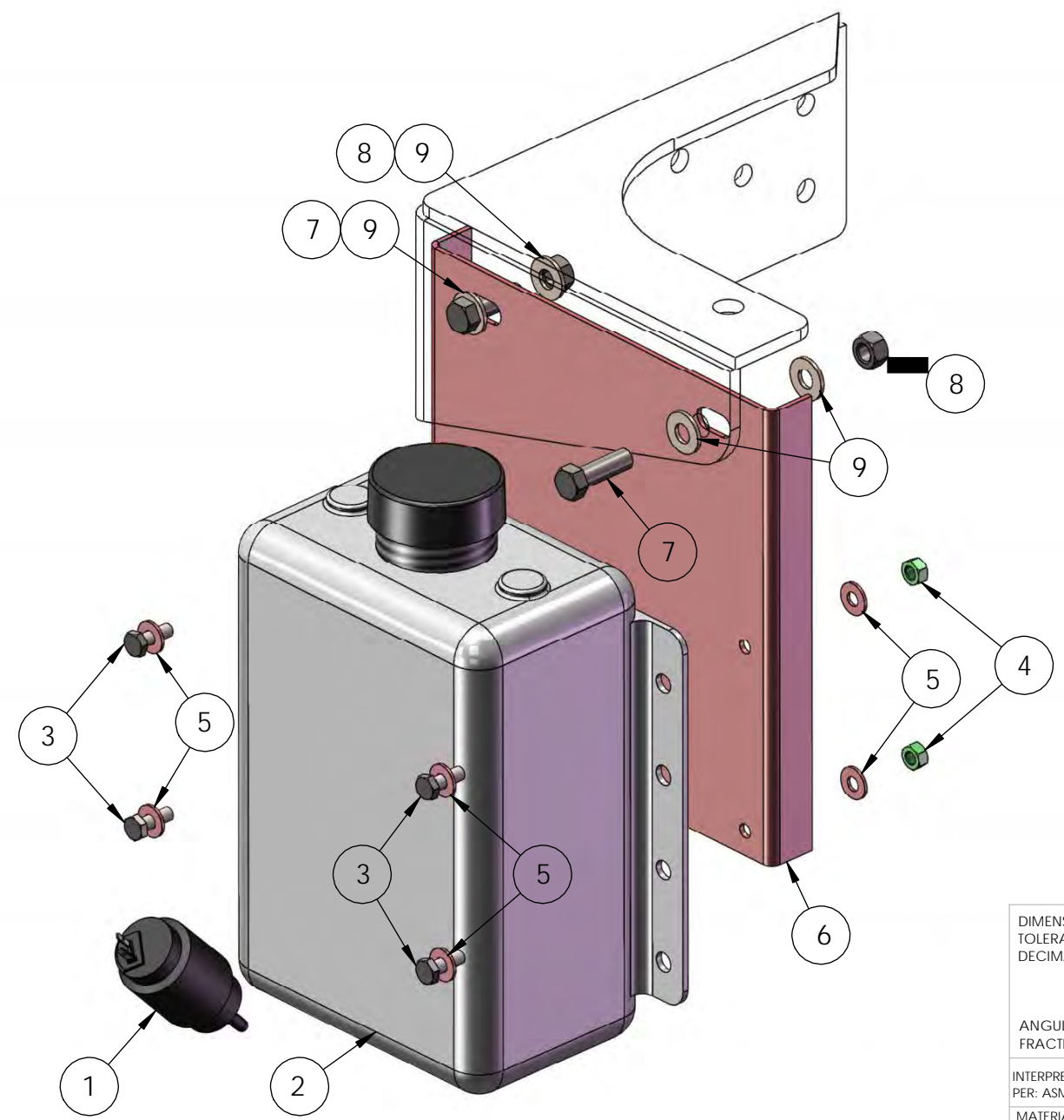
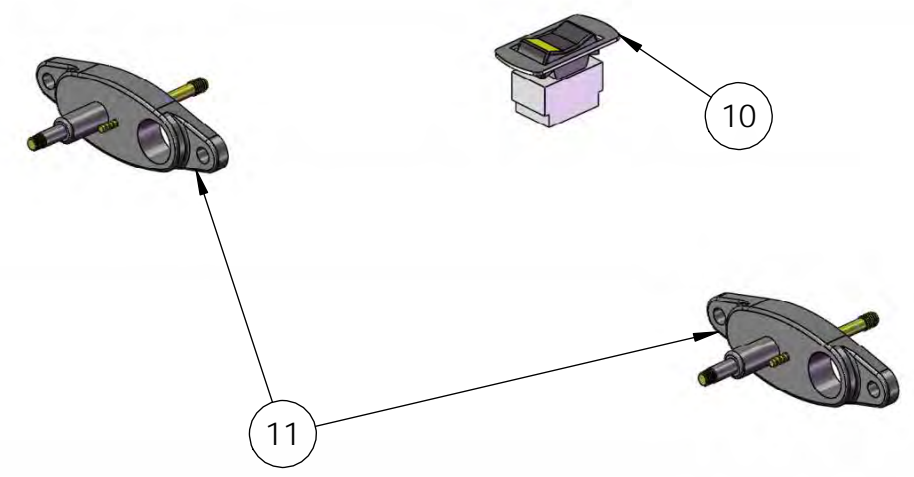


8 7 6 5 4 3 2 1

D  
C  
B  
A

D  
C  
B  
A



DIMENSIONS ARE IN INCHES  
TOLERANCES:  
DECIMAL:  
X.X ± 0.06  
X.XX ± 0.03  
X.XXX ± 0.005  
ANGULAR: ± 0.5°  
FRACTIONAL ± 1/32"


INTERPRET GEOMETRIC TOLERANCING PER: ASME 14.5M-1994

MATERIAL

FINISH

THICKNESS

	NAME	DATE
DRAWN	RWC	6/22/11
CHECKED		
APPROVED		
DO NOT SCALE DRAWING		
<small>THE SUBJECT MATTER SHOWN AND DESCRIBED IN THIS DRAWING AND ANY OTHER INFORMATION ADVANCED IN CONNECTION THEREWITH IS PROPRIETARY PROPERTY AND IS TO BE HELD IN STRICT CONFIDENCE BY YOU. ALL RIGHTS TO ANY INVENTIONS, DESIGNS, TRADE MARKS, TRADE NAMES AND COPYRIGHTS DISCLOSED ARE RESERVED TO TICO TERMINAL SERVICES, INC.</small>		

		<small>TICO/TERMINAL SERVICE 66 CYPRESS RIDGE DR. RIDGELAND, SC 29936 (843) 717-2226</small>	
<b>TITLE:</b> WINDSHIELD WASHER KIT			
<b>SIZE</b> B	<b>DWG. NO.</b> 71182-A1	<b>REV</b> A1	
<b>SCALE:</b> 1:2		SHEET 1 OF 1	

8 7 6 5 4 3 2 1

