

8 7 6 5 4 3 2 1

D

D

C

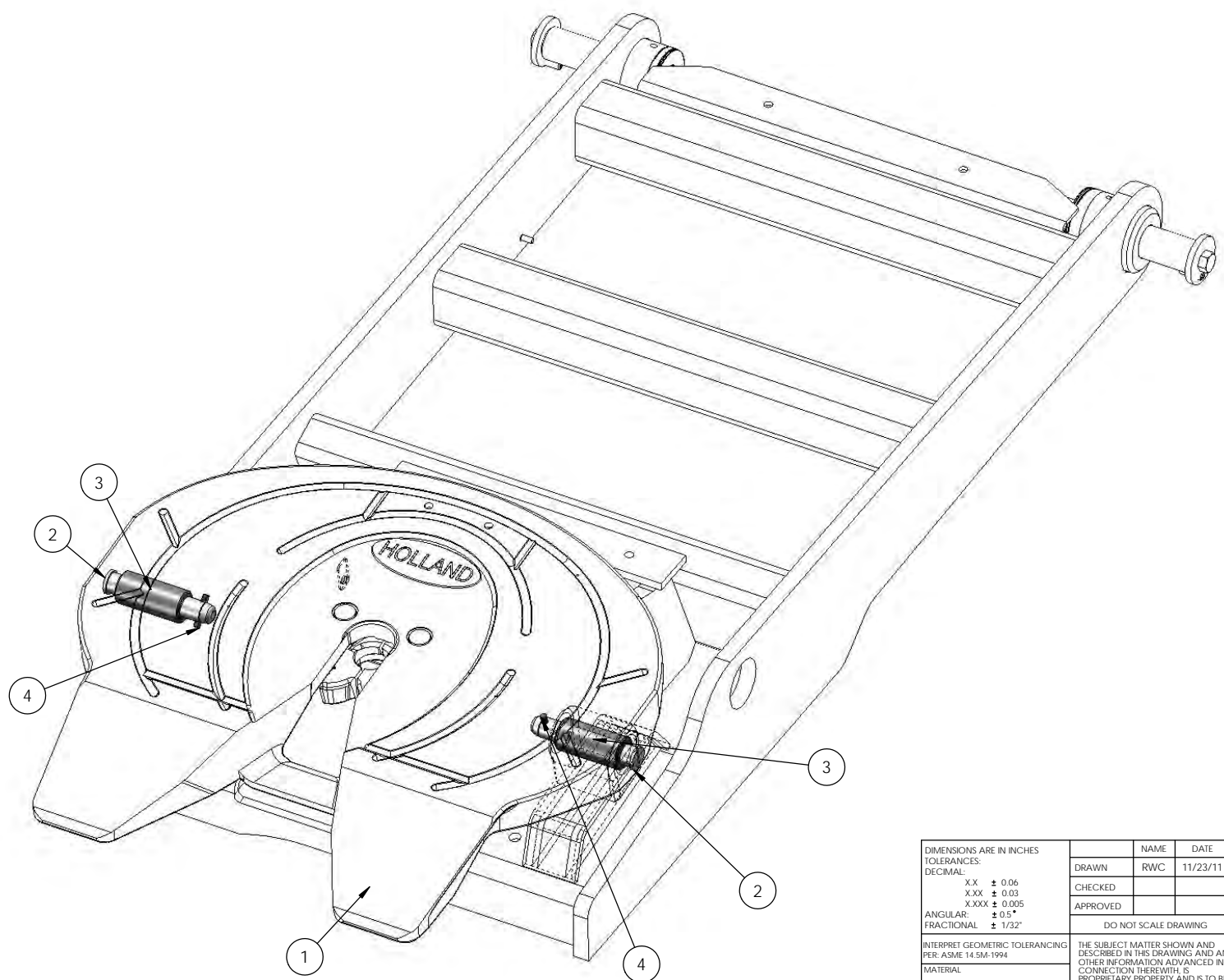
C

B


B

A

A



8 7 6 5 4 3 2 1

DIMENSIONS ARE IN INCHES		NAME	DATE	 TICO/TERMINAL SERVICE 66 CYPRESS RIDGE DR. RIDGELAND, SC 29936 (843) 717-2226	
TOLERANCES:		DRAWN	RWC		11/23/11
DECIMAL:		CHECKED			
.XX ± 0.06 .XXX ± 0.03 .XXX ± 0.005		APPROVED			
ANGULAR:		DO NOT SCALE DRAWING			
FRACTIONAL:		THE SUBJECT MATTER SHOWN AND DESCRIBED IN THIS DRAWING AND ANY OTHER INFORMATION ADVANCED BY CONNECTION THEREWITH, IS PROPRIETARY PROPERTY AND IS TO BE HELD IN STRICT CONFIDENCE BY YOU. ALL RIGHTS TO ANY INVENTIONS, DESIGNS, TRADE MARKS, TRADE NAMES AND COPYRIGHTS DISCLOSED ARE RESERVED TO TICO TERMINAL SERVICES, INC.			
INTERPRET GEOMETRIC TOLERANCING PER: ASME 14.5M-1994		TITLE: <b>FIFTH WHEEL - 70K - HOLLAND 3500</b>			
MATERIAL	FINISH	THICKNESS	SIZE <b>B</b>	DWG. NO. <b>71168-A1</b>	
			REV <b>A1</b>	SCALE: 1:6	
			SHEET 1 OF 1		

