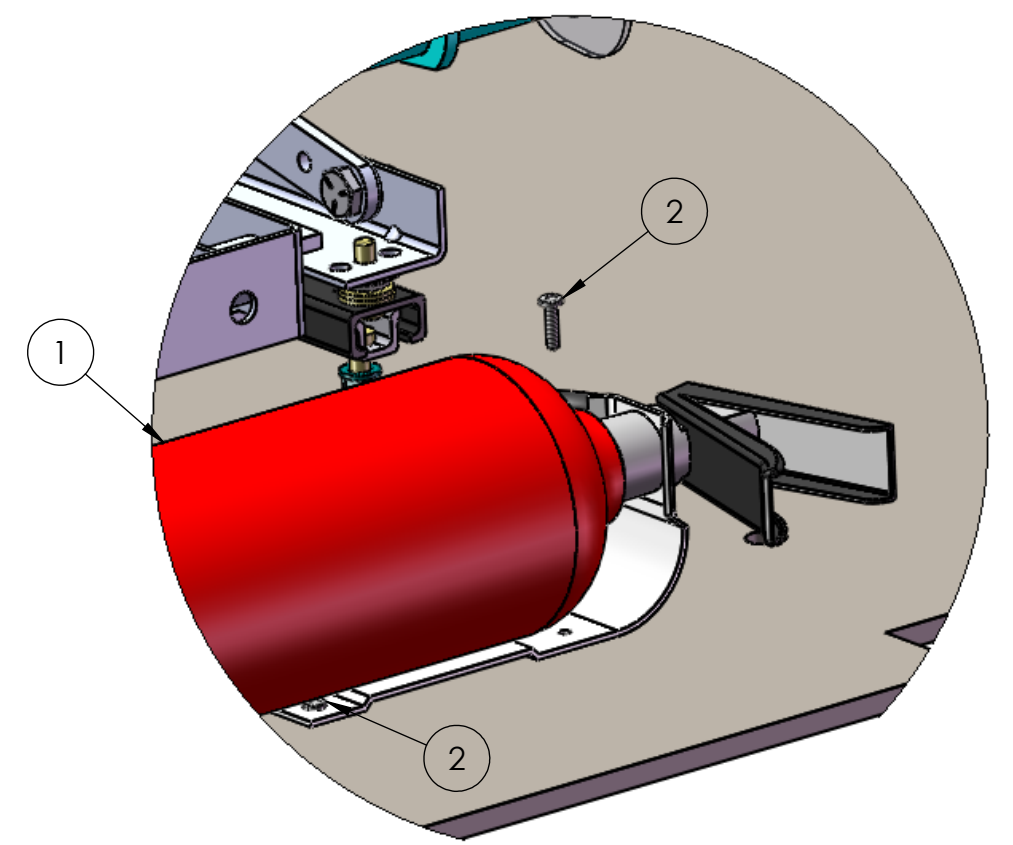
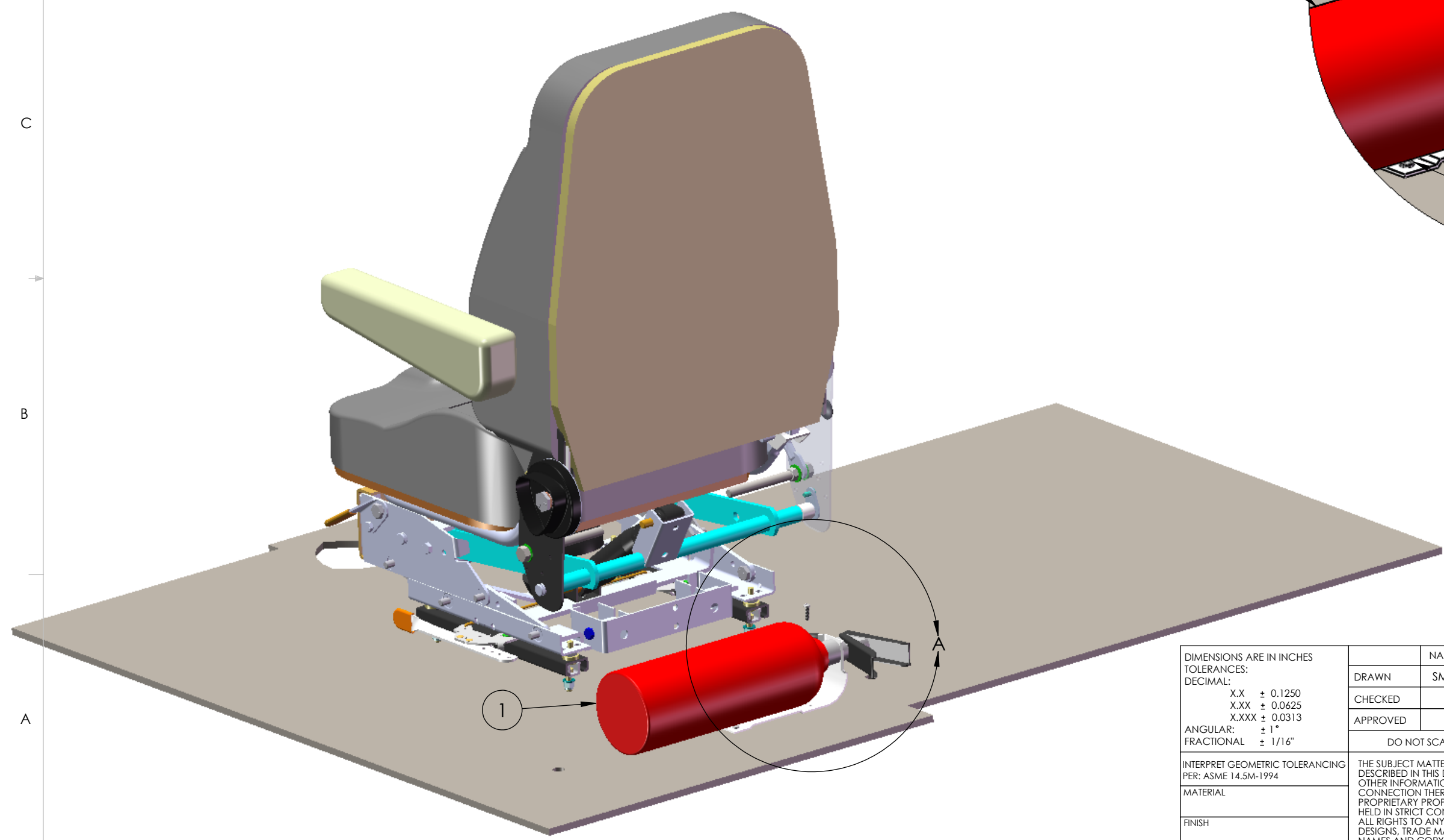



8 7 6 5 4 3 2 1

D
C
B
A

D
C
B
A



DETAIL A
SCALE 1 : 3

DIMENSIONS ARE IN INCHES TOLERANCES: DECIMAL: X.X ± 0.1250 X.XX ± 0.0625 X.XXX ± 0.0313 ANGULAR: ± 1° FRACTIONAL ± 1/16"		NAME	DATE	 TICO/TERMINAL SERVICE 66 CYPRESS RIDGE DR. RIDGELAND, SC 29936 (843) 717-2226
INTERPRET GEOMETRIC TOLERANCING PER: ASME 14.5M-1994	DRAWN	SMB	7/11/14	
MATERIAL	CHECKED			
FINISH	APPROVED			
THICKNESS	DO NOT SCALE DRAWING		TITLE: FIRE EXTINGUISHER OPTION	
	SIZE	DWG. NO.	REV	
	B	71055-A1	A1	
	SCALE: 1:7		SHEET 1 OF 1	

8 7 6 5 4 3 2 1

