

8 7 6 5 4 3 2 1

D

D

C

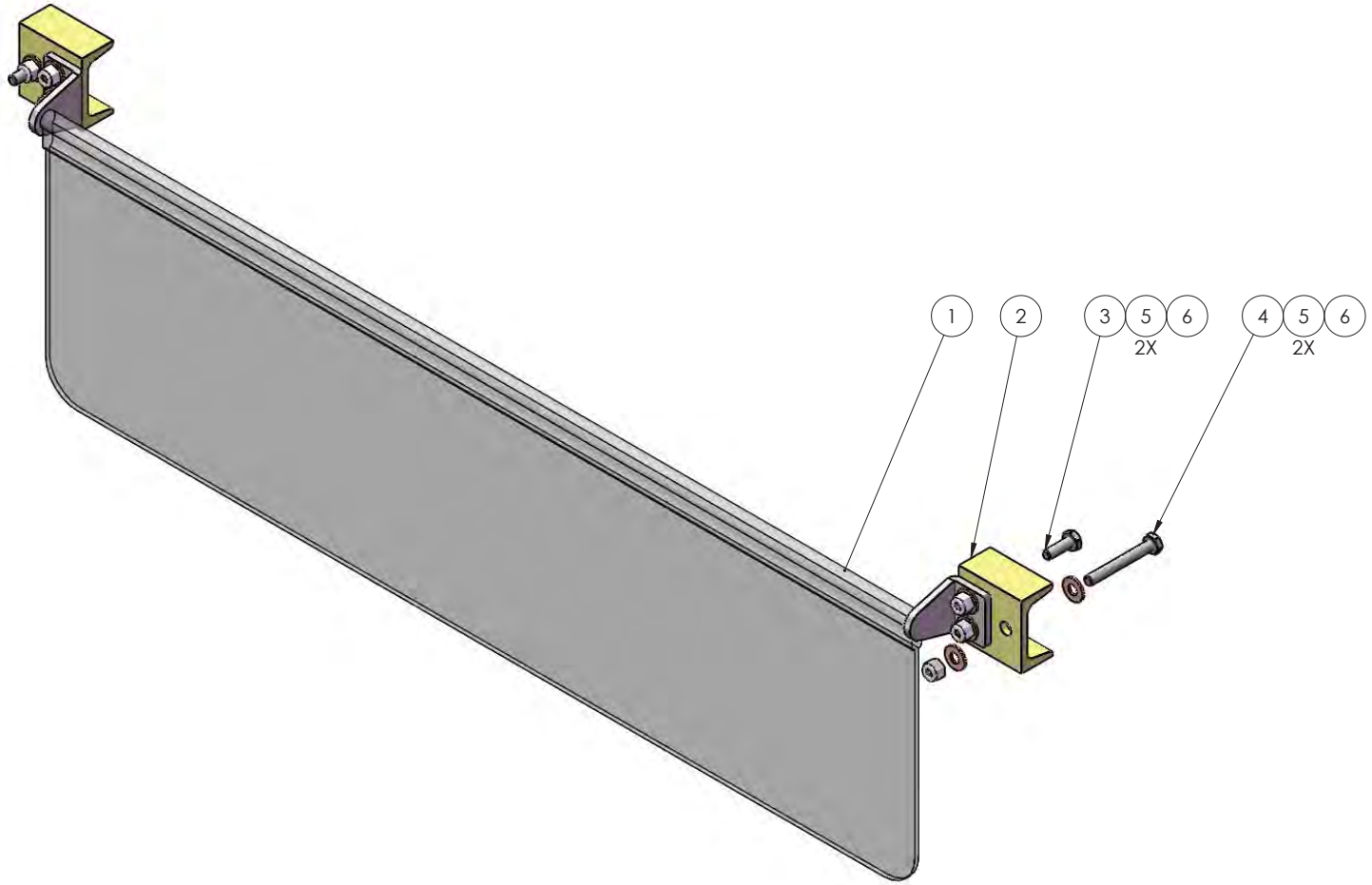
C


B

B

A

A



|                                                      |  |                                                                                                                                                                                                                                                                                                                                 |      |                                                                                                                                                                              |                                      |
|------------------------------------------------------|--|---------------------------------------------------------------------------------------------------------------------------------------------------------------------------------------------------------------------------------------------------------------------------------------------------------------------------------|------|------------------------------------------------------------------------------------------------------------------------------------------------------------------------------|--------------------------------------|
| DIMENSIONS ARE IN INCHES                             |  | NAME                                                                                                                                                                                                                                                                                                                            | DATE |  TICO/TERMINAL SERVICE<br>66 CYPRESS RIDGE DR.<br>RIDGELAND, SC 29936<br>(843) 717-2226 |                                      |
| TOLERANCES:                                          |  | DRAWN                                                                                                                                                                                                                                                                                                                           | WHC  |                                                                                                                                                                              | 8/06/12                              |
| DECIMAL:                                             |  | REVISED                                                                                                                                                                                                                                                                                                                         | DFM  |                                                                                                                                                                              | 2/8/2016                             |
| X.X ± 0.1250<br>X.XX ± 0.0625<br>X.XXX ± 0.0313      |  | APPROVED                                                                                                                                                                                                                                                                                                                        |      |                                                                                                                                                                              |                                      |
| ANGULAR: ± 1°                                        |  | DO NOT SCALE DRAWING                                                                                                                                                                                                                                                                                                            |      |                                                                                                                                                                              | TITLE:                               |
| FRACTIONAL: ± 1/16"                                  |  |                                                                                                                                                                                                                                                                                                                                 |      |                                                                                                                                                                              | SUNVISOR KIT -<br>TRANSLUCENT OPTION |
| INTERPRET GEOMETRIC TOLERANCING PER: ASME 14.5M-1994 |  | THE SUBJECT MATTER SHOWN AND DESCRIBED IN THIS DRAWING AND ANY OTHER INFORMATION ADVANCED IN CONNECTION THEREWITH, IS PROPRIETARY PROPERTY AND IS TO BE HELD IN STRICT CONFIDENCE BY YOU. ALL RIGHTS TO ANY INVENTIONS, DESIGNS, TRADE MARKS, TRADE NAMES AND COPYRIGHTS DISCLOSED ARE RESERVED TO TICO TERMINAL SERVICES, INC. |      |                                                                                                                                                                              | SIZE<br><b>B</b>                     |
| MATERIAL                                             |  | DWG. NO.                                                                                                                                                                                                                                                                                                                        |      |                                                                                                                                                                              | REV                                  |
| FINISH                                               |  | 71049-A1                                                                                                                                                                                                                                                                                                                        |      |                                                                                                                                                                              |                                      |
| THICKNESS                                            |  | SCALE: 3:8                                                                                                                                                                                                                                                                                                                      |      | WEIGHT:                                                                                                                                                                      | SHEET 1 OF 1                         |

8 7 6 5 4 3 2 1

