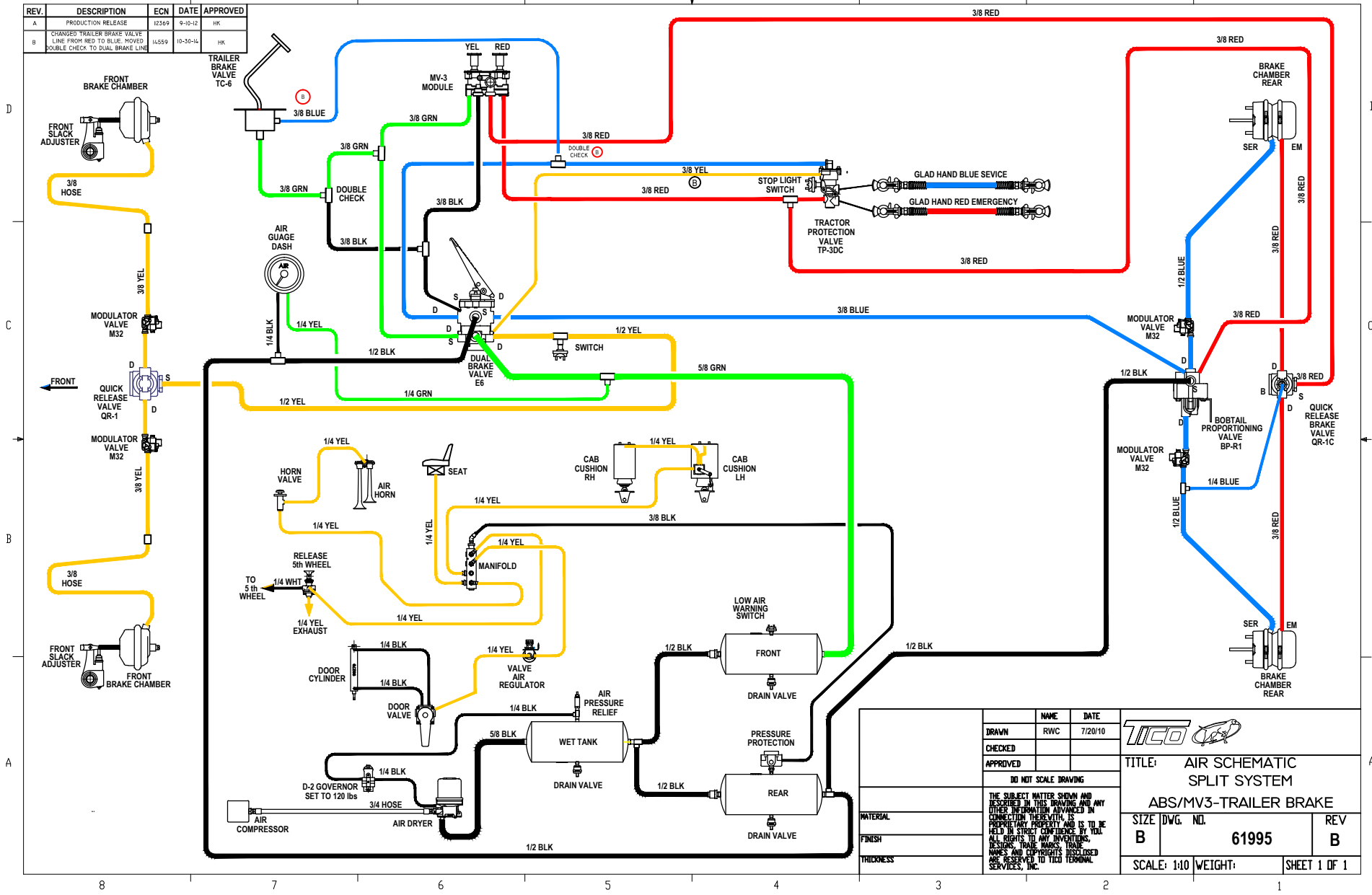



REV.	DESCRIPTION	ECN	DATE	APPROVED
A	PRODUCTION RELEASE	12549	9-10-12	HK
B	CHANGED TRAILER BRAKE VALVE LINE FROM RED TO BLUE. MOVED DOUBLE CHECK TO DUAL BRAKE LINE	14559	10-30-12	HK



	NAME	DATE
DRAWN	RWC	7/20/10
CHECKED		
APPROVED		

DO NOT SCALE DRAWING		
THE SUBJECT MATTER SHOWN AND DESCRIBED IN THIS DRAWING AND ANY OTHER INFORMATION ADVANCED IN CONNECTION THEREWITH IS PROPRIETARY PROPERTY AND IS TO BE HELD IN STRICT CONFIDENCE BY ALL. ALL RIGHTS TO ANY INVENTIONS, DESIGN, TRADE MARKS, TRADE NAMES AND COPYRIGHTS DISCLOSED ARE RESERVED TO TICI TRAILER SERVICES, INC.		
TITLE: AIR SCHEMATIC SPLIT SYSTEM		
ABS/MV3-TRAILER BRAKE		
SIZE	DWG. NO.	REV
B	61995	B
SCALE: 1:10	WEIGHT:	SHEET 1 OF 1