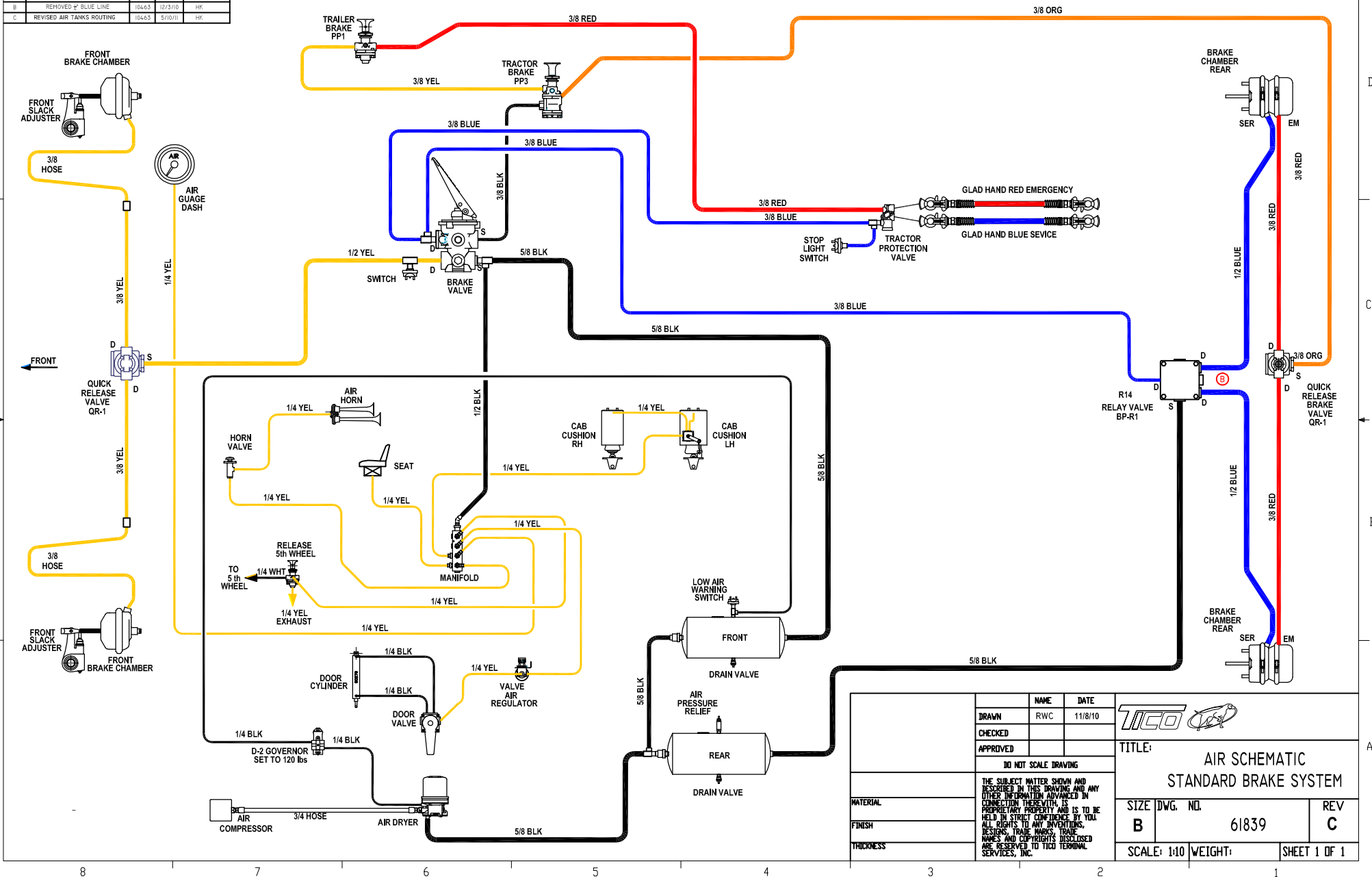



REV.	DESCRIPTION	ECN	DATE	APPROVED
A	PRODUCTION RELEASE	04/20	11/8/10	HK
B	REMOVED 2" BLUE LINE	04/63	12/3/10	HK
C	REVISED AIR TANKS ROUTING	04/63	5/10/11	HK



	NAME	DATE	
DRAWN	RWC	11/8/10	
CHECKED			
APPROVED			TITLE: AIR SCHEMATIC STANDARD BRAKE SYSTEM
DO NOT SCALE DRAWING			SIZE DWG. NO. 61839
<small>THE SUBJECT MATTER SHOWN AND DESCRIBED IN THIS DRAWING AND ANY OTHER INFORMATION ADVANCED IN CONNECTION THEREWITH IS PROPRIETARY PROPERTY AND IS TO BE HELD IN STRICT CONFIDENCE BY YOU. ALL RIGHTS TO ANY INVENTIONS, DESIGNS, TRADE MARKS, TRADE NAMES AND COPYRIGHTS DISCLOSED ARE RESERVED TO TICO TERMINAL SERVICES, INC.</small>			REV C
MATERIAL			SCALE: 1:10
FINISH			WEIGHT:
THICKNESS			SHEET 1 OF 1