

8 7 6 5 4 3 2 1

D

D

C

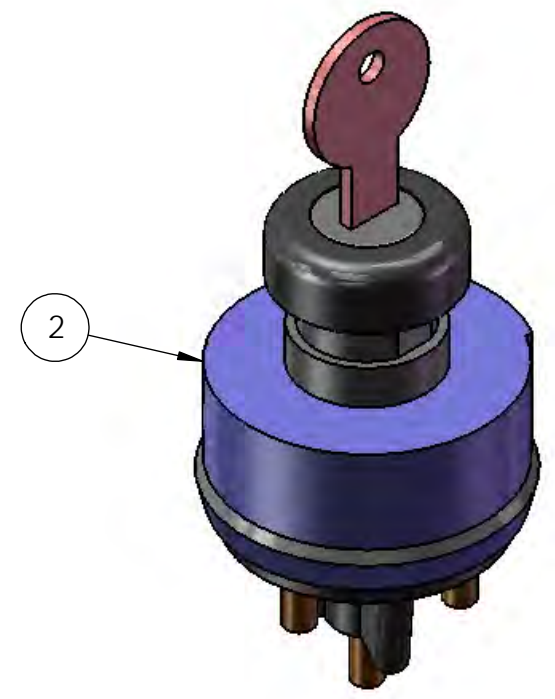
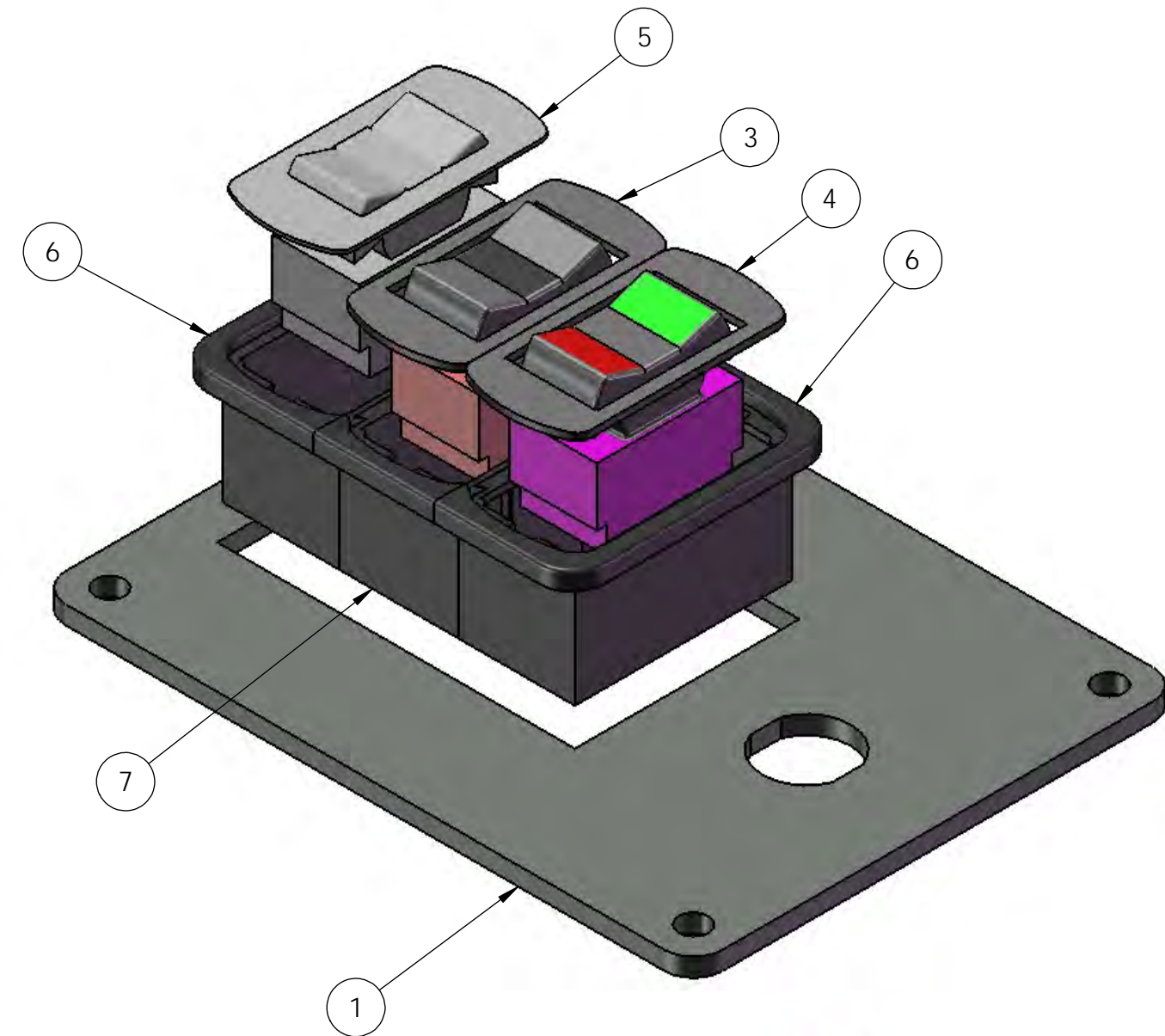
C


B

B

A

A



DIMENSIONS ARE IN INCHES TOLERANCES: DECIMAL: X.X ± 0.1250 X.XX ± 0.0625 X.XXX ± 0.0313 ANGULAR: ± 1° FRACTIONAL ± 1/16"	NAME	DATE	 TICO/TERMINAL SERVICE 66 CYPRESS RIDGE DR. RIDGELAND, SC 29936 (843) 717-2226	
	DRAWN	DFM		10/01/2015
	CHECKED			
	APPROVED			
DO NOT SCALE DRAWING			TITLE:	
INTERPRET GEOMETRIC TOLERANCING PER: ASME 14.5M-1994			ASSEMBLY, DASH PANEL IGNITION SWITCH DOT	
FINISH	SIZE	DWG. NO.	REV	
THICKNESS	B	200349-A1	A	
SCALE: 1:2		WEIGHT:	SHEET 1 OF 1	

8 7 6 5 4 3 2 1

